

MS 461-Z MAGNUM

Spare Parts List
07/10/2024
Australia, English

Muffler with spark arrestor

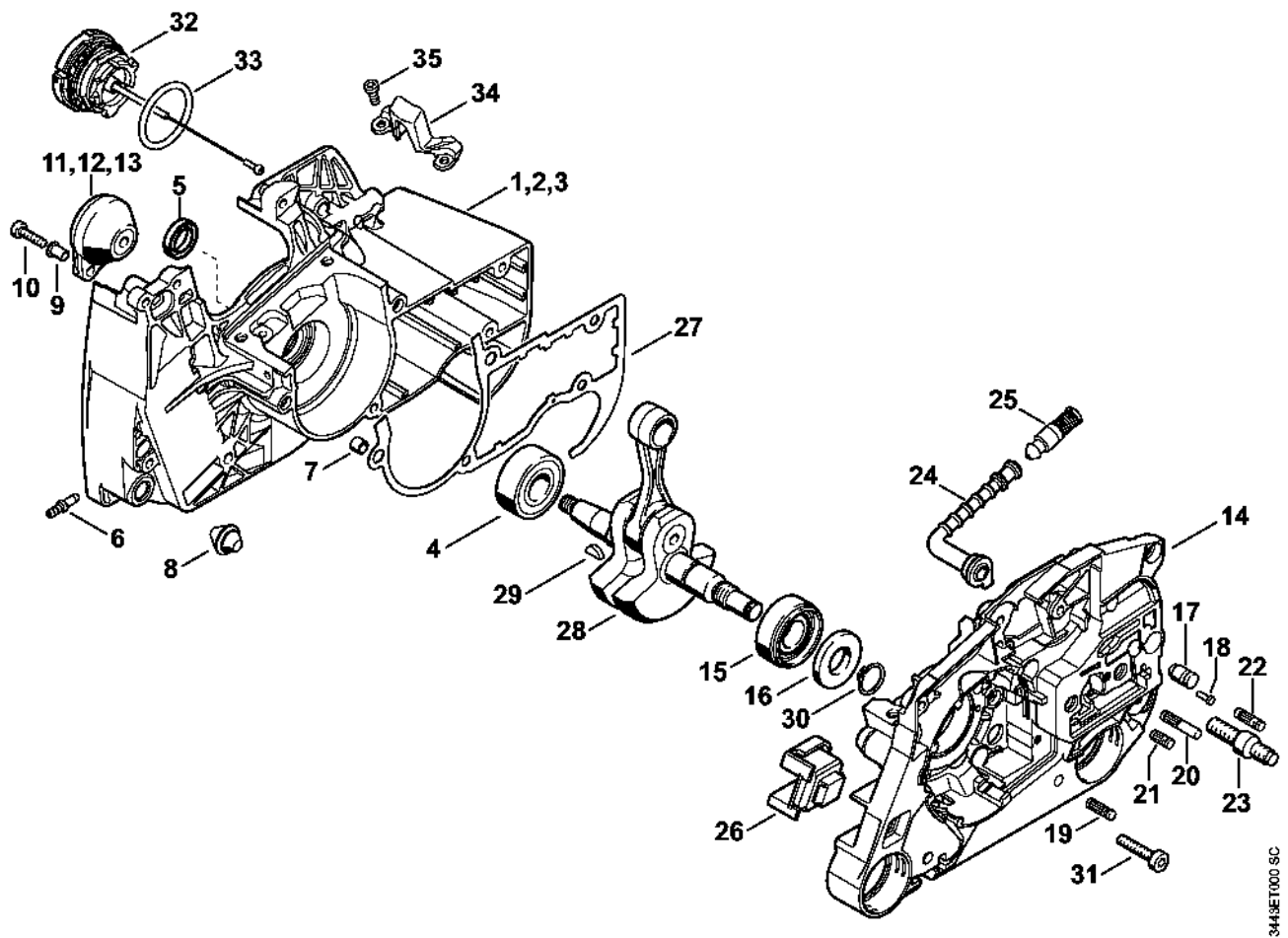
Contents

Crankcase, Crankshaft	3	Assembly tube	63
Cylinder, Muffler	6	Flange	65
Oil pump, Clutch	8	Assembly hook	67
Hand guard, Chain brake, Chain tensioner	11	Stud puller, M8	69
Chain sprocket cover, Guide bar	13	Assembly hook	71
Ignition system, Wiring harness	15	Ignition system tester, ZAT 3	73
Rewind starter	17	Ignition system tester, ZAT 4	75
Tank housing	19	Puller	77
AV system, Handlebar	22	Socket, 13 mm, long reach	79
Shroud, Air filter	24	Locking strip	81
Carburetor HD-50, HD-51	26	Screwdriver	83
Tools, Extras	29	Installing tool, 12	85
Serial number	31	Torque wrench	87
Auxiliary and operating materials	33	Jaw (profile No. 3.1 and 4)	89
Nipple	35	Drilled plate	91
Clamping strap	37	Screw sleeve	93
Puller	39	Sleeve	95
Assembly drift	41	Screw sleeve	97
Press sleeve	43	Plug	99
Installing sleeve	45	Assembly stand	101
Press sleeve	47	Puller	103
Installing sleeve	49	Puller	105
Press arbor	51	Punchdown tool	107
Screwdriver	53	Pump	109
Sealing plate	55	Stud puller, M8-9.5	111
Socket, T27x125	57	Piston support	113
Hose 135 mm / 5 5/16"	59	Support	115
Setting gauge	61	Screwdriver, T27x150	117

Contents

Service tool AS	119
Setting gauge	121
Installing tool AS	123
Installing tool LS	125

Crankcase, Crankshaft



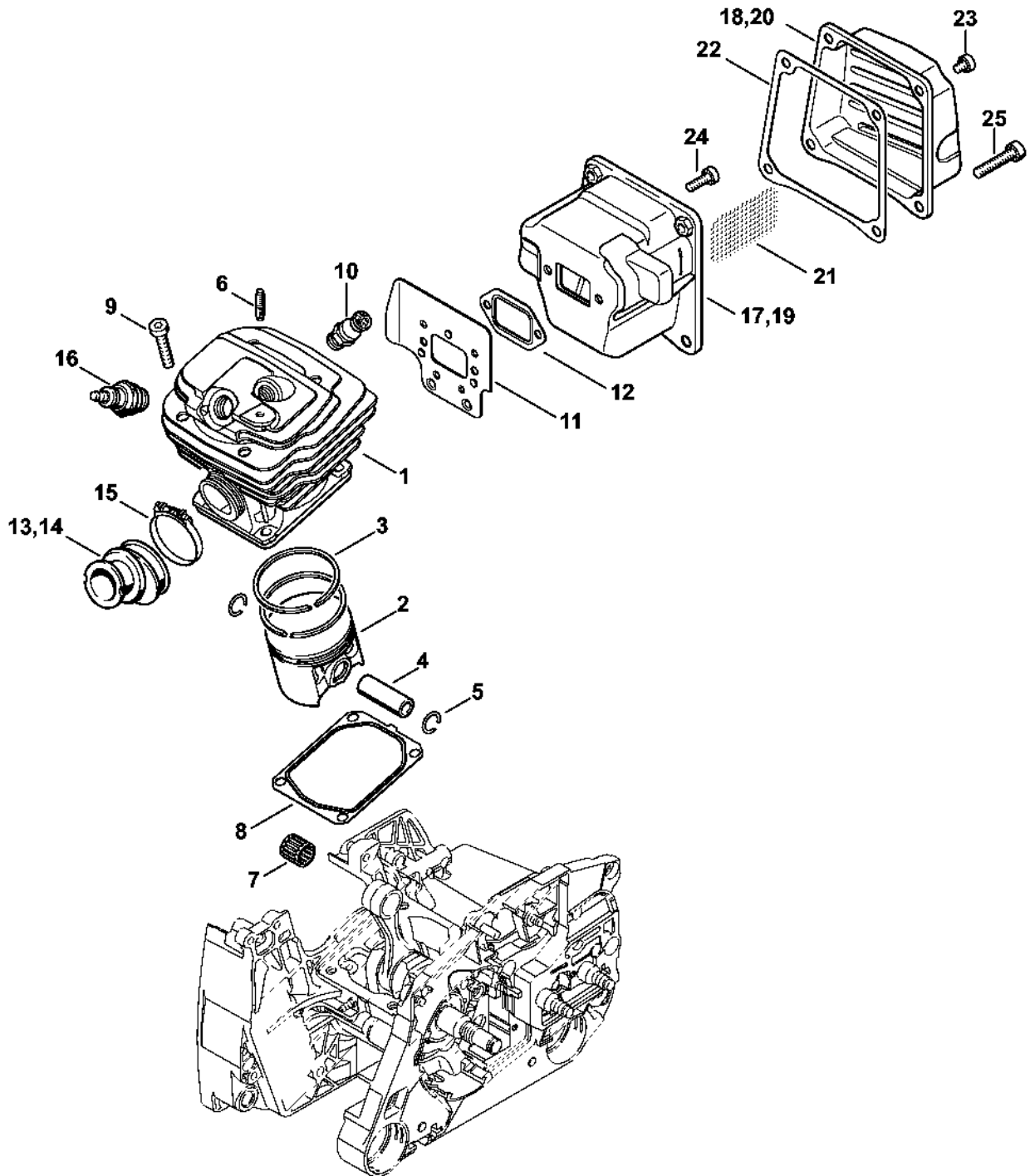
Crankcase, Crankshaft

#	Part Number	Description	Quantity	Contains Item(s)	Remarks
3	1128 020 2614	Crankcase, fan side	1	4 - 10, 13	
4	9503 003 0346	Grooved ball bearing 6202	1		
5	9640 003 1355	Oil seal 13.5x20x4	1		
6	0000 988 5211	Connector	1		
7	0000 988 8600	Sleeve	2		
8	1133 791 5900	Stop buffer	1		
9	9416 868 5630	Hollow rivet 5.5x0.5x6.8	2		
10	9022 313 0679	Spline screw IS-M4x16	2		
11	1128 790 9909	Annular buffer	1	9	
13	1128 790 9908	Annular buffer	1	9	
14	1128 020 2914	Crankcase	1	15 - 23	
15	9523 003 4278	Grooved ball bearing 5x35x13	1		
16	9640 003 1600	Oil seal 15x29.6x4	1		
17	1128 640 9100	Valve	1		
18	0000 974 1200	Notched pin 2.6x8	1		
19	1120 162 5200	Pin	1		
20	1121 162 5205	Pin	1		
21	1128 162 5200	Pin	1		
22	1121 162 5200	Pin	1		
23	1138 664 2400	Collar screw M8	2		
24	1122 647 9400	Hose	1		
25	1117 640 3800	Pickup body	1		
26	1124 791 2800	Stop buffer	1		
27	1128 029 0505	Gasket	1		
28	1128 030 0402	Crankshaft	1	29	
29	1120 036 8500	Woodruff key 2x3.7	1		
30	9455 621 1520	Circlips DIN471-15x1	1		

Crankcase, Crankshaft

#	Part Number	Description	Quantity	Contains Item(s)	Remarks
31	9022 371 1050	Spline screw IS-M5x25	5		
32	0000 350 0533	Filler cap	1	33	
33	9645 948 7734	O-ring 25x3.5	1		
34	1128 021 8100	Flange	1		
35	9022 313 0651	Spline screw IS-M4x10	2		
	1128 007 1600	Set of gaskets	1	5, 16, 27	

Cylinder, Muffler

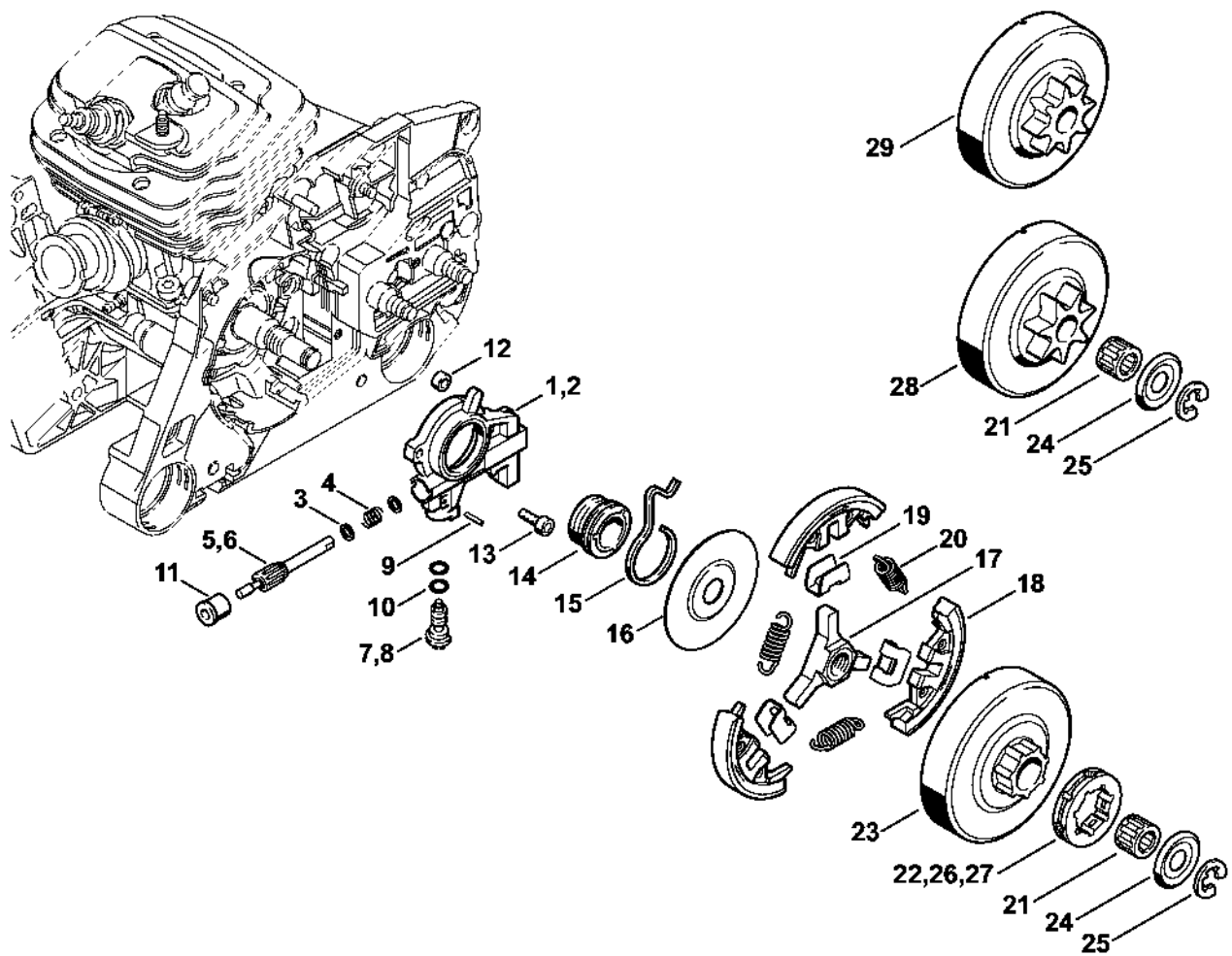


9443ET001 SC

Cylinder, Muffler

#	Part Number	Description	Quantity	Contains Item(s)	Remarks
1	1128 020 1250	Cylinder with piston Ø 52 mm	1	2 - 6	
2	1128 030 2051	Piston Ø 52 mm	1	3 - 5	
3	1122 034 3000	Piston ring Ø 52x1.2 mm	2		
4	1128 034 1501	Piston pin 12x8x35	1		
5	9463 650 1200	Snap ring 12x1	2		
6	0000 953 0807	Stud M5	1		
7	9512 003 3061	Needle cage 12x15x15	1		
8	1128 029 2310	Cylinder gasket	1		
9	9022 341 1370	Pan head screw IS M6x30	4		
10	1128 020 9400	Decompression valve	1		
11	1128 141 3203	Cooling plate	1		
12	1125 149 0601	Muffler gasket	1		
13	1128 141 2203	Manifold	1		
14	1128 141 2204	Manifold	1		
15	9771 021 2578	Hose clip Ø 34x5	1		
16	0000 400 7000	Spark plug NGK BPMR7A	1		
16	1110 400 7005	Spark plug Bosch WSR 6 F	1		
19	1128 140 0651	Muffler	1	20, 21	USA, CDN, AUS, NZ
20	1128 145 0804	Exhaust casing	1		USA, CDN, AUS, NZ
21	1118 141 9006	Screen	1		USA, CDN, AUS, NZ
22	1128 149 0500	Gasket	1		
23	9022 341 0911	Spline screw IS-M5x6	2		
24	9022 341 0980	Pan head screw IS M5x16	2		
25	9022 341 1370	Pan head screw IS M6x30	2		
	1128 007 1600	Set of gaskets	1	8, 12, 22	

Oil pump, Clutch



3443ET002.SC

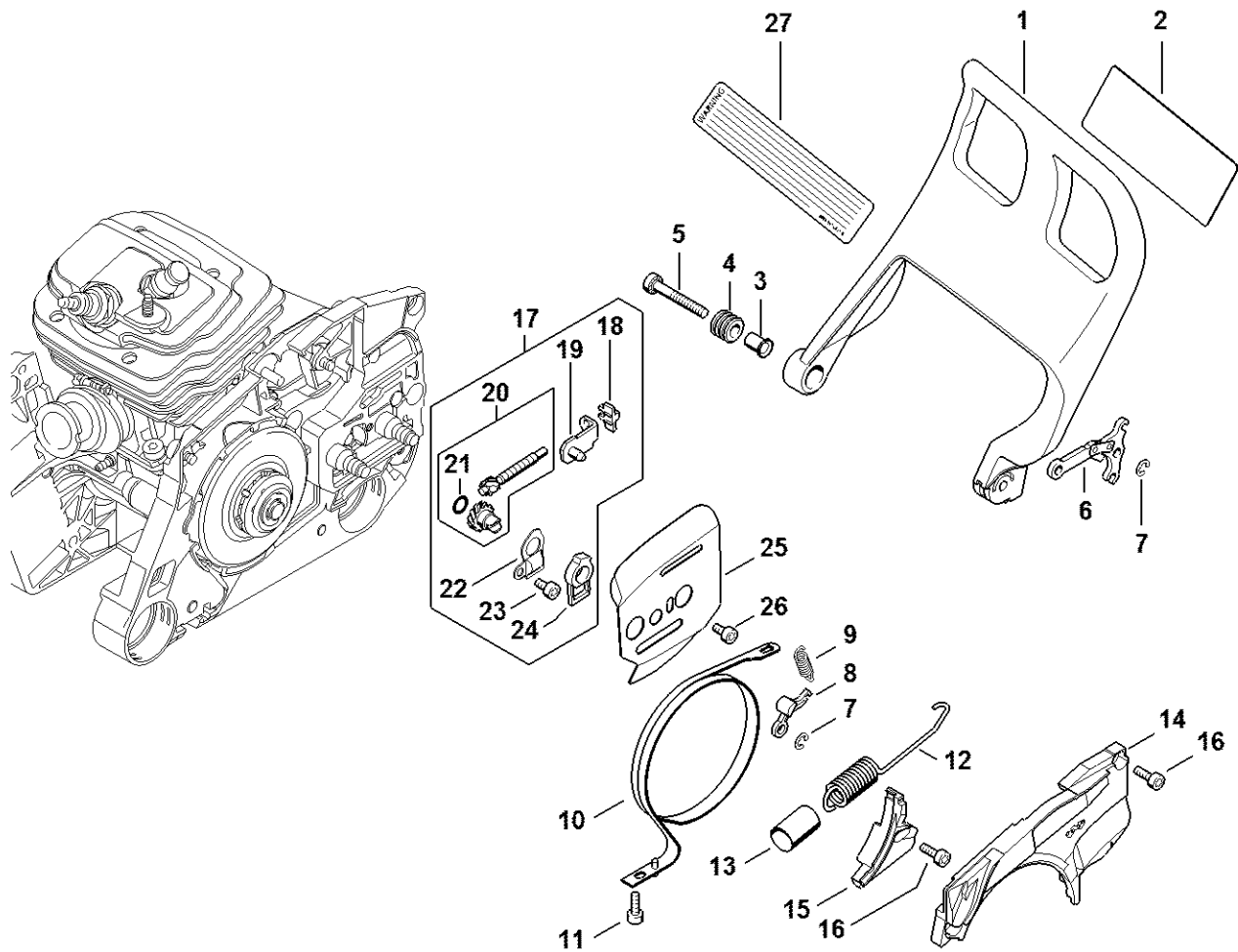
Oil pump, Clutch

#	Part Number	Description	Quantity	Contains Item(s)	Remarks
1	1128 640 3206	Oil pump 0.8	1	3 - 5, 7, 9 - 11	
3	0000 958 0518	Washer	2		
4	0000 997 0615	Compression spring	1		
5	1128 647 0606	Pump piston 0.8	1		
7	1128 647 4806	Control bolt	1		
9	9380 620 1090	Roll pin 2x10	1		
10	9646 945 0160	O-ring 4x2	2		
11	1125 641 9400	Bearing bushing	1		
12	1122 649 5000	Sealing ring B4x2	1		
13	9022 313 0660	Spline screw IS-M4x12	2		
14	1128 640 7112	Worm	1	15	
15	1128 647 2400	Spring	1		
16	1128 162 1001	Cover washer 58 mm / 2 5/16"	1		
	1128 160 2004	Clutch	1	17 - 20	
17	1128 162 3202	Carrier	1		
18	1128 162 0807	Clutch shoe	3		
19	1128 162 3000	Retainer	3		
20	0000 997 5815	Tension spring	3		
21	9512 933 2380	Needle cage 10x16x12	1		
	1128 007 1017	Rim sprocket kit 3/8" 7T	1	22 - 25	
22	0000 642 1223	Rim sprocket 3/8" 7T	1		
23		Clutch drum	1		
24	0000 958 1032	Washer Ø 27 mm	1		
25	9460 624 0801	E-clip 8x1,3	1		
	1128 007 1018	Rim sprocket kit 3/8" 8T	1	23 - 26	BR
26	0000 642 1216	Rim sprocket 3/8" 8T	1		BR
	1128 007 1019	Rim sprocket kit 0.325" 9T	1	23 - 25, 27	

Oil pump, Clutch

#	Part Number	Description	Quantity	Contains Item(s)	Remarks
27	0000 642 1239	Rim sprocket 0.325" 9T	1		
28	1128 640 2003	Chain sprocket 3/8" 7T	1		
29	1128 640 2004	Chain sprocket 3/8" 8T	1		

Hand guard, Chain brake, Chain tensioner

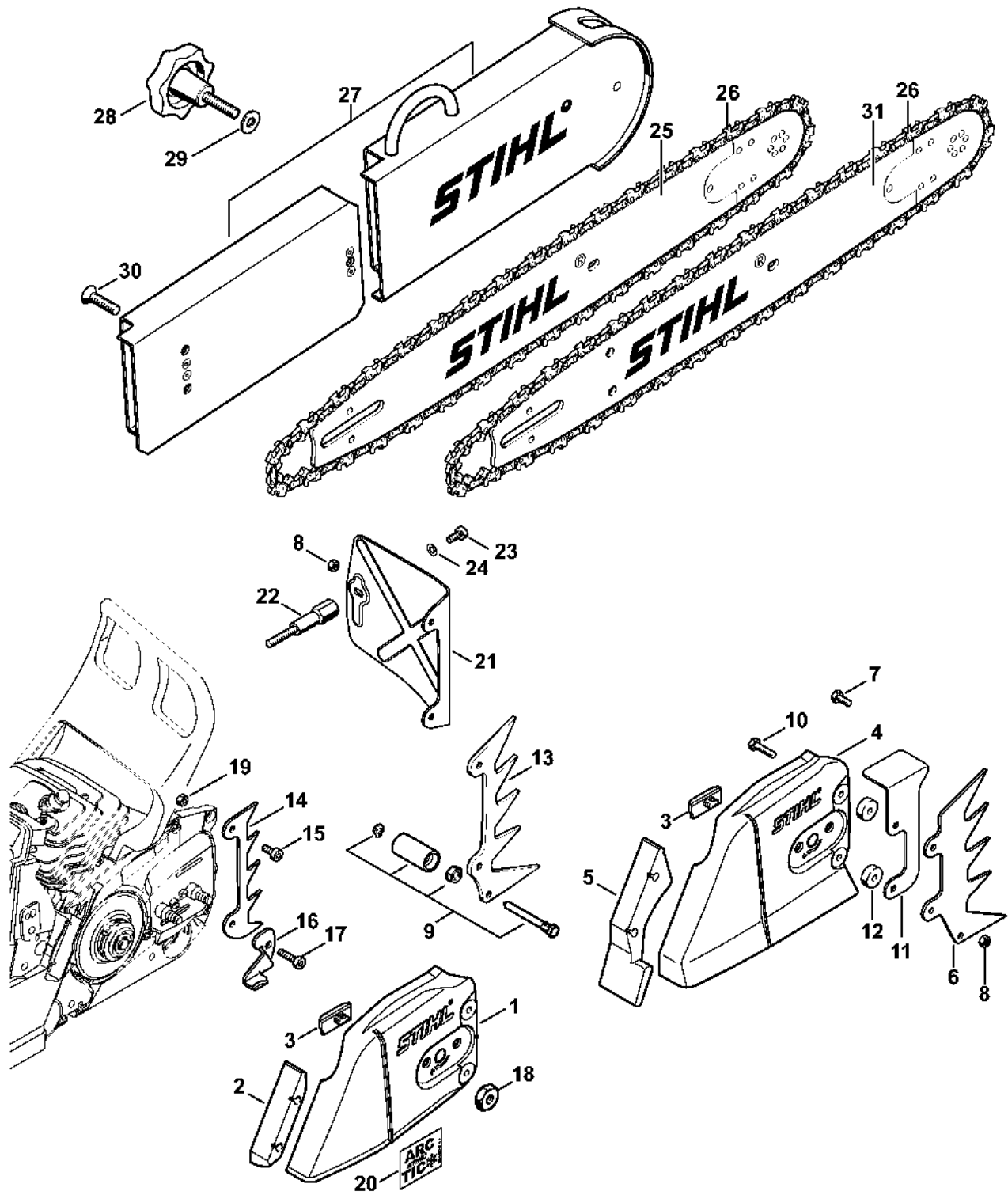


1128-GET-0051-A0

Hand guard, Chain brake, Chain tensioner

#	Part Number	Description	Quantity	Contains Item(s)	Remarks
1	1128 790 9152	Hand guard	1	2 - 5	
2	1124 084 8300	Reflector foil	1		
3	1124 792 5500	Bushing	1		
4	1124 792 5505	Bushing	1		
5	9022 341 1080	Spline screw IS-M5x35	1		
6	1128 160 5000	Lever	1		
7	9460 624 0400	E-clip 4	2		
8	1121 162 5010	Lever	1		
9	0000 997 0628	Spring	1		
10	1128 160 5400	Brake band	1		
11	9022 346 0658	Spline screw IS-M4x12	1		
12	1128 160 5501	Tension spring	1	13	
13	1128 162 8000	Hose	1		
14	1128 021 1102	Cover	1		
15	1128 021 1105	Cover	1		
16	9022 313 0660	Spline screw IS-M4x12	3		
17	MA02 007 1002	Chain tensioner kit	1	18 - 24	
18	1125 664 1400	Thrust pad	1		
19	1125 640 1900	Tensioner slide	1		
20	1125 007 1021	Spur gear / chain adjusting screw kit	1	21	
21	9646 945 0490	O-ring 7x1.5	1		
22	1122 664 2200	Cover plate	1		
23	9022 313 0633	Spline screw IS-M4x8	1		
24	1122 664 4500	Support	1		
25	1128 664 1001	Inner side plate 0.9 mm	1		
26	9022 313 0633	Spline screw IS-M4x8	1		
27	0000 967 3915	Instruction label	1		USA

Chain sprocket cover, Guide bar

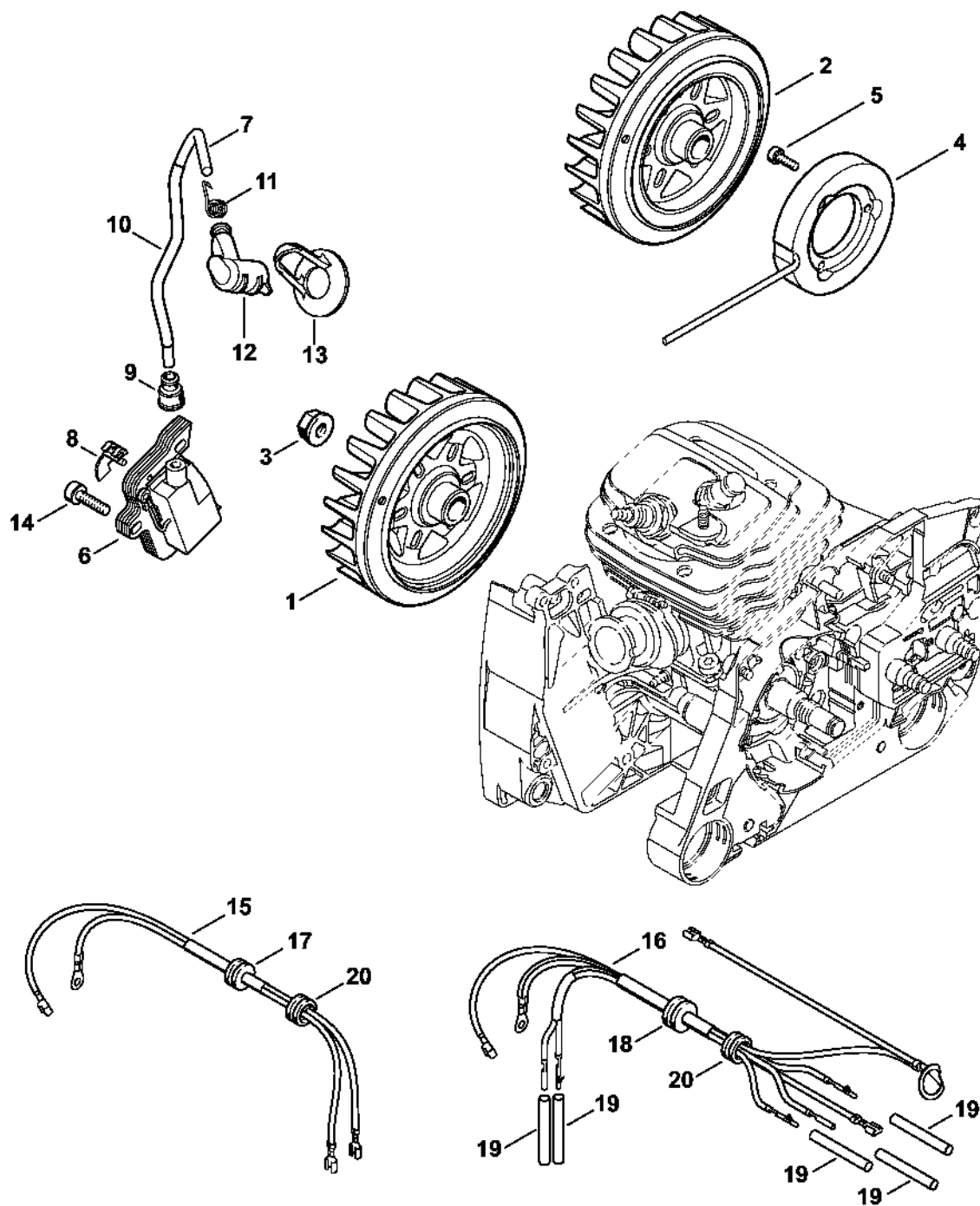


3448ET013 AM

Chain sprocket cover, Guide bar

#	Part Number	Description	Quantity	Contains Item(s)	Remarks
	1128 640 1712	Chain sprocket cover	1	1 - 3, 6 - 9	AUS, NZ
1	1128 640 1706	Chain sprocket cover	1	2, 3	
2	1125 656 1501	Guard	1		
3	1121 648 6610	Bumper strip	2		
6	1128 664 0502	Bumper spike	1		
7	9008 345 0960	Hexagon head screw M5x12	2		
9	1122 650 7701	Chain catcher	1		
13	1122 664 0506	Bumper spike	1		
14	1128 664 0500	Bumper spike	1		
15	9022 341 0960	Spline screw IS-M5x12	1		
16	1122 656 7700	Chain catcher	1		
17	9022 341 1019	Spline screw IS-M5x20	1		
18	0000 955 0801	Hexagon nut M8	2		
19	9214 320 0700	Lock nut M5	1		

Ignition system, Wiring harness

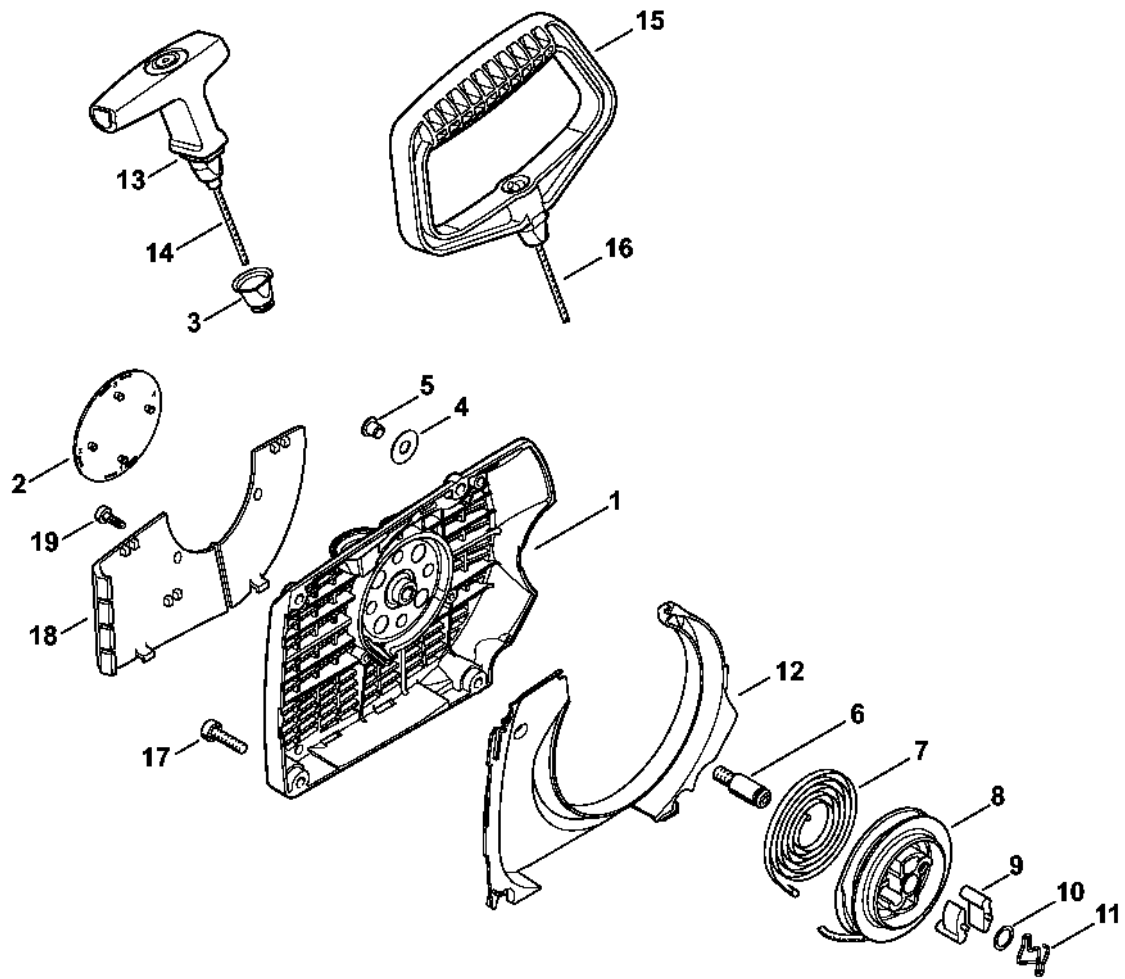


9443ET005 SC

Ignition system, Wiring harness

#	Part Number	Description	Quantity	Contains Item(s)	Remarks
1	1128 400 1211	Flywheel	1		
3	0000 955 0802	Collar nut M8x1	1		
6	1128 400 1313	Ignition module	1	7 - 9	
7		Ignition lead 163 mm	1		
	0000 405 0600	Ignition lead 1 m	1		
	0000 930 2251	Ignition lead 10 m	1		
8	0000 448 1250	Lead retainer	1		
9	0000 989 1010	Grommet	1		
10	1122 442 0400	Insulating hose 100 mm / 4"	1		
11	0000 998 0604	Spark plug contact spring	1		
12	1128 405 1000	Spark plug boot	1		
13	1128 084 1400	Spark plug boot cover	1		
14	9022 341 1019	Spline screw IS-M5x20	3		
15	1128 440 3002	Wiring harness	1	17	
17	0000 989 0814	Grommet	1		
19	1121 442 0402	Insulating hose 35 mm / 1.4"	5		
20	1125 084 8900	Grommet	1		

Rewind starter

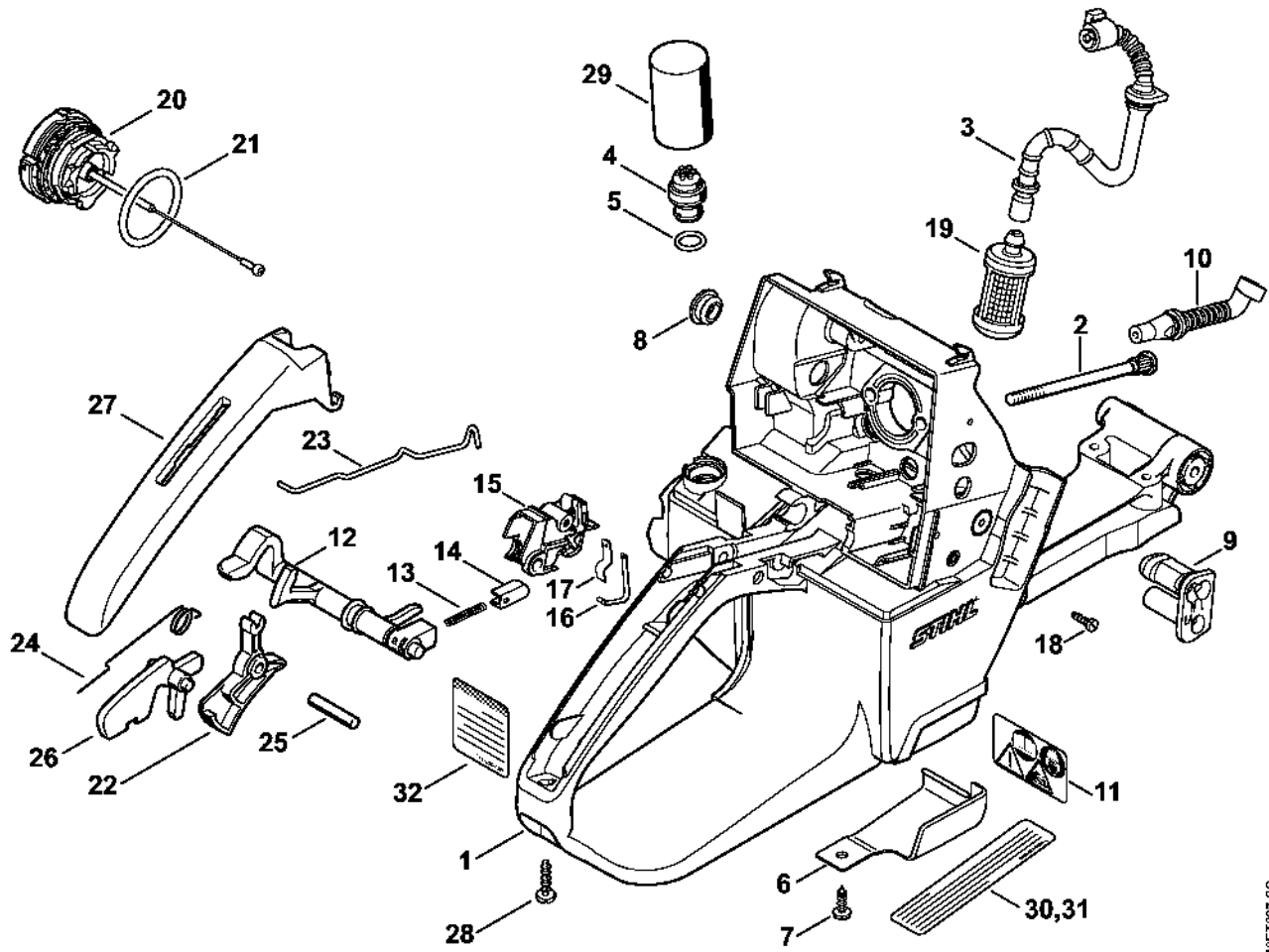


3443ET006 SC

Rewind starter

#	Part Number	Description	Quantity	Contains Item(s)	Remarks
	1128 080 2115	Fan housing with rewind starter	1	1 - 14	
1	1128 080 1814	Fan housing	1	2 - 6, 10	
2	1128 967 1515	Model plate MS 461	1		
3	1110 084 9102	Bushing	1		
4	0000 958 0607	Washer	1		
5	9416 868 6530	Hollow rivet 6.5x0.5x6.8	1		
6	1128 080 6500	Axle	1	10	
7	1135 190 0600	Rewind spring	1		
8	1128 195 0400	Rope rotor	1		
9	1125 195 7200	Pawl	2		
10	0000 958 0923	Washer	1		
11	1128 195 3500	Spring	1		
12	1128 084 7802	Segment	1		
13	1128 190 3400	Starter grip ElastoStart Ø 3,5 mm	1	14	
14	1128 190 2900	Starter rope Ø 3.5 mm	1		
	0000 930 2267	Starter rope Ø 3.5 mm / 28 pieces	1		
17	9022 371 1020	Pan head screw IS M5x20	3		
18	1128 080 7501	Cover plate	1	19	
19	9074 477 2995	Pan head self-tapping screw IS-P4x12	2		

Tank housing



3443ET007 SC

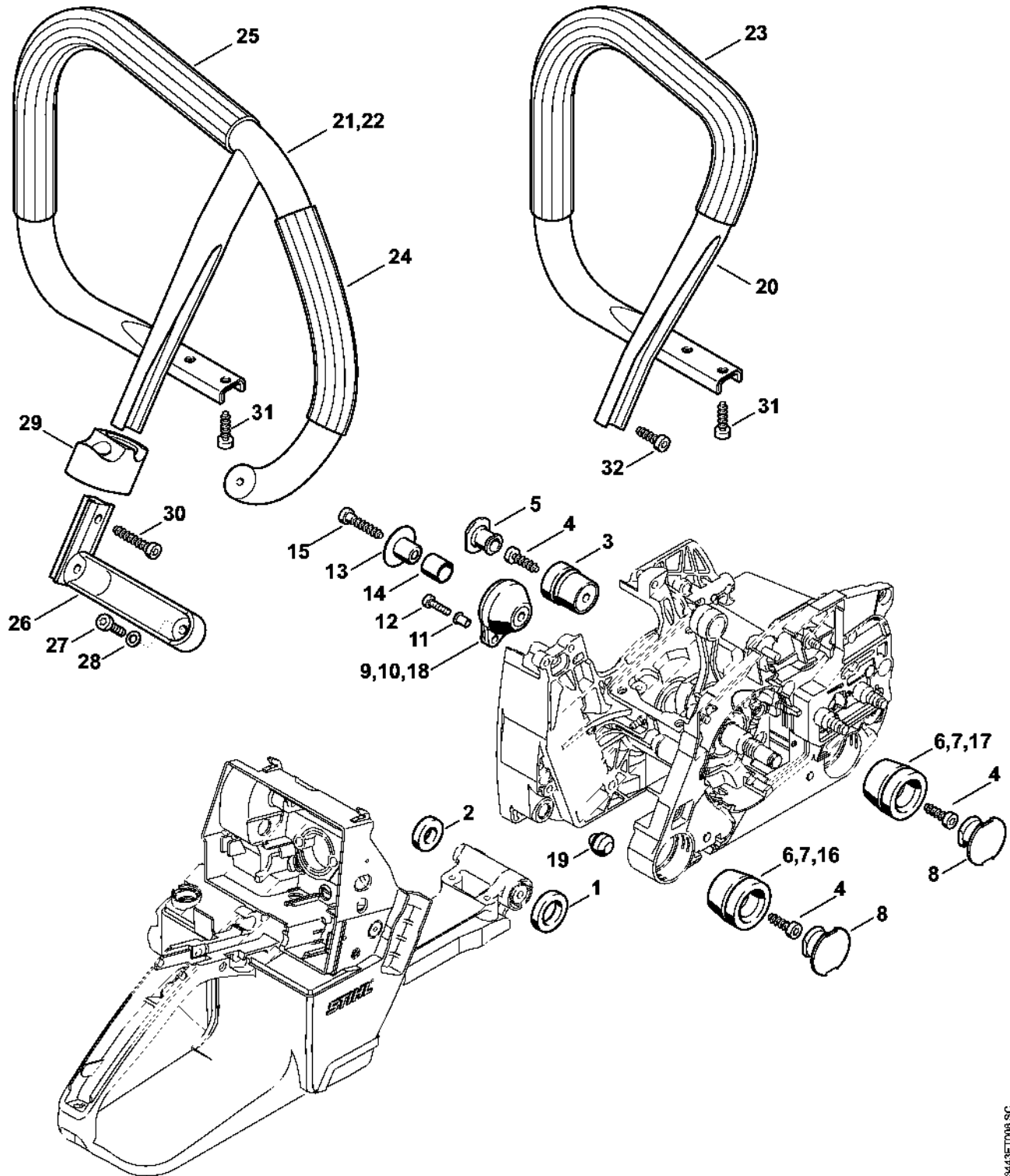
Tank housing

#	Part Number	Description	Quantity	Contains Item(s)	Remarks
1	1128 350 0850	Tank housing	1	2 - 9, 20, 21	
2	1128 122 6603	Collar screw	2		
3	1128 350 7600	Hose	1		
4	0000 350 5800	Tank vent	1	5	
5		O-ring	1		
6	1128 656 1500	Guard	1		
7	9099 021 2770	Self-tapping screw 3.9x13	1		
8	1110 145 9001	Plug	1		
9	1128 123 7502	Grommet	1		
10	1128 141 8600	Impulse hose	1		
11	0000 967 7247	Warning pictogram MS	1		
12	1128 180 0912	Switch shaft	1	13, 14	
13	0000 997 0227	Compression spring	1		
14	1128 182 1700	Slide control	1		
15	1128 180 3501	Switch housing	1	16, 17	
16	1128 442 1600	Contact spring	1		
17	1128 442 1601	Contact spring	1		
18	9099 021 1760	Self-tapping screw 2.9x9.5	1		
19	0000 350 3518	Pickup body	1		
20	0000 350 0533	Filler cap	1	21	
21	9645 948 7734	O-ring 25x3.5	1		
22	1128 182 1005	Throttle trigger	1		
23	1128 182 1500	Throttle rod	1		
24	1117 182 4500	Torsion spring	1		
25	9371 470 2640	Cylindrical pin 5x24	1		
26	1117 182 0805	Lockout lever	1		
27	1128 791 0600	Handle molding	1		

Tank housing

#	Part Number	Description	Quantity	Contains Item(s)	Remarks
28	9074 478 3076	Pan head self-tapping screw IS-P4x19	1		
29	1128 124 2802	Filter	1		
30		Instruction label	1		BR
31	0000 967 3500	Instruction label	1		USA
32	0000 967 4067	Warning Spark arresting screen	1		USA

AV system, Handlebar

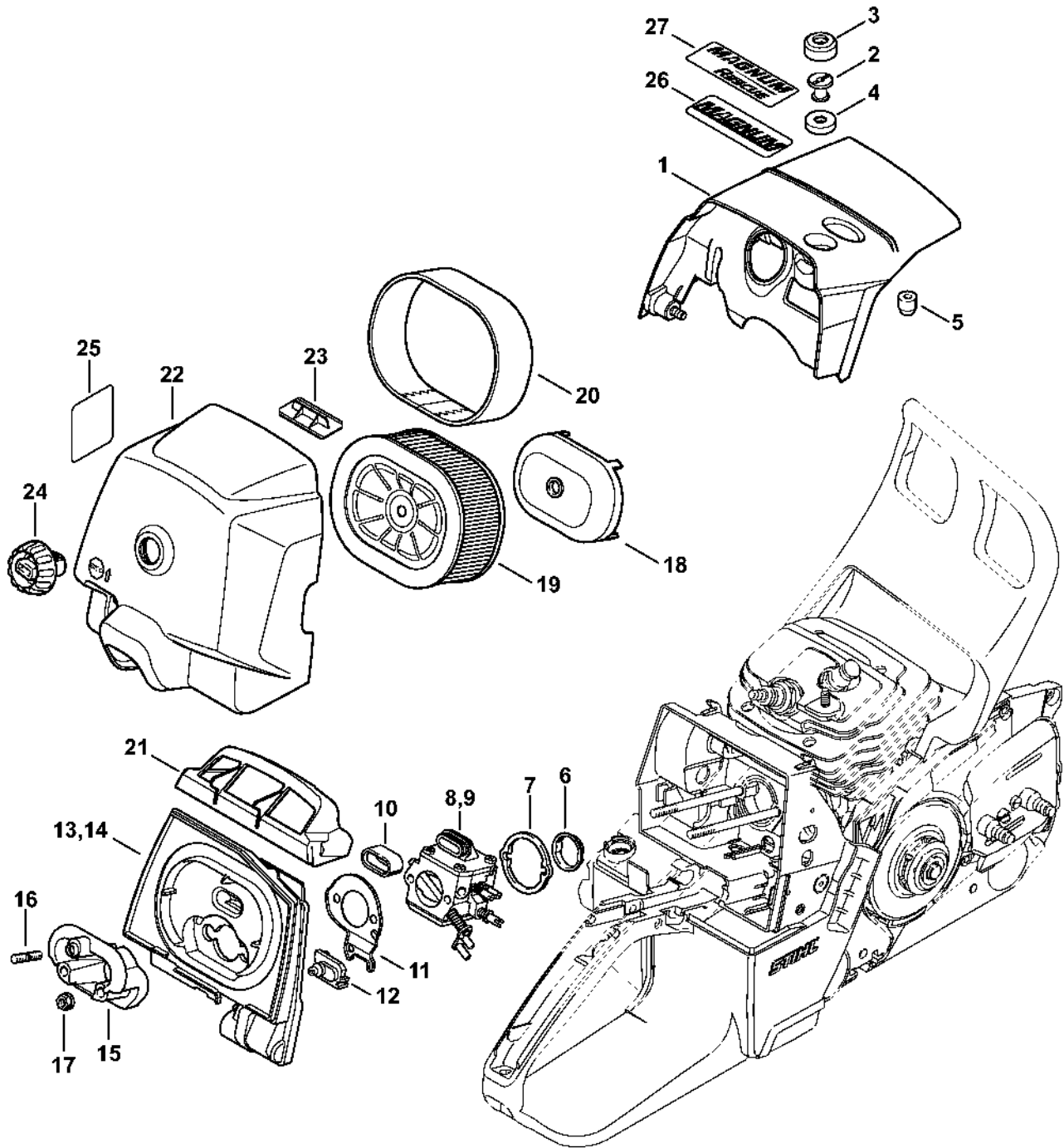


9443ET008 SC

AV system, Handlebar

#	Part Number	Description	Quantity	Contains Item(s)	Remarks
1	1128 791 8401	Ring	1		
2	1128 791 8400	Ring	1		
3	1122 790 9905	Annular buffer 1122/05	1		
4	9074 478 4435	Pan head self-tapping screw IS-P6x19	3		
5	1122 791 7301	Plug	1		
7	1125 790 9906	Annular buffer 1125/06	2		
8	1125 791 7306	Plug	2		
9	1128 790 9909	Annular buffer	1	11	
10	1128 790 9908	Annular buffer	1	11	
11	9416 868 5630	Hollow rivet 5.5x0.5x6.8	2		
12	9022 313 0679	Spline screw IS-M4x16	2		
13	1128 791 7200	Sleeve	1		
14	1128 792 8500	Hose	1		
15	9074 478 4675	Pan head self-tapping screw IS-P6x32.5	1		
19	1133 791 5900	Stop buffer	1		
20	1128 790 1753	Handlebar	1	23	
23		Handle hose 450 mm / 17 3/4"	1		
	0000 791 2009	Handle hose Ø 19 mm x 5 m / 3/4x197"	1		
31	9074 478 4435	Pan head self-tapping screw IS-P6x19	2		
32	9074 478 4475	Pan head self-tapping screw IS-P6x21.5	2		

Shroud, Air filter

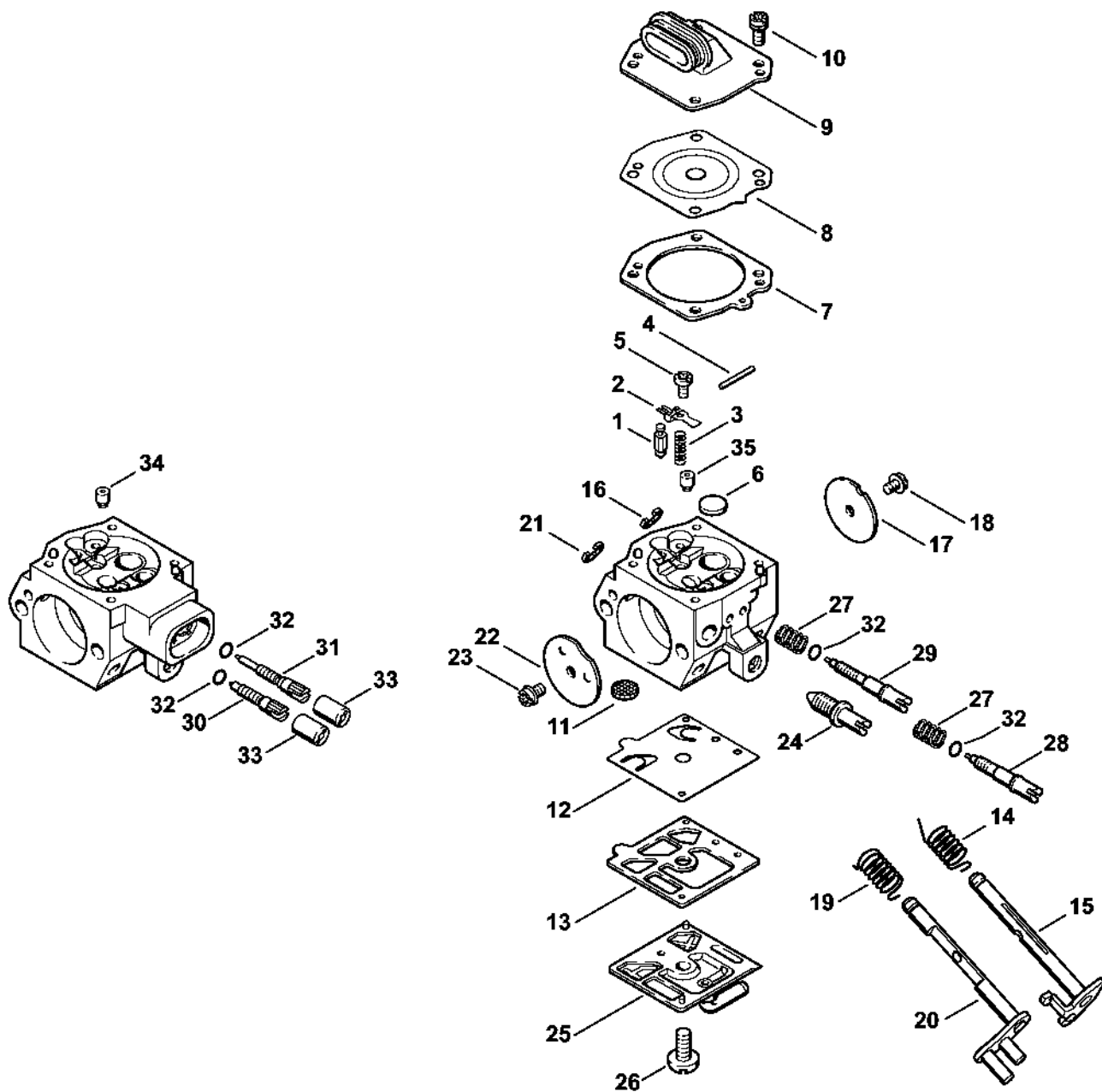


3443ET016 SC

Shroud, Air filter

#	Part Number	Description	Quantity	Contains Item(s)	Remarks
1	1128 080 1635	Shroud	1	2 - 5	
2	1121 084 7000	Slotted nut	1		
3	1121 084 6901	Insulator	1		
4	1135 028 1002	Grommet	1		
5	1121 084 7100	Cap	1		
6	1117 141 1800	Sleeve	1		
7	1128 121 8600	Washer	1		
8	1128 120 0629	Carburetor HD-50A	1		
9	1128 120 0630	Carburetor HD-51A	1		BR
10	1124 121 9100	Bushing	1		
11	1128 121 7000	Baffle	1		
14	1128 141 0901	Filter base	1		USA, CDN
15	1128 120 2202	Flange	1	16	
16	9121 319 0960	Stud M5x12x9	1		
17	9216 261 0700	Hexagon nut M5	2		
18	1128 121 6900	Baffle	1		
19	0000 140 4407	Air filter HD2	1		
20	0000 141 0601	Prefilter	1		
21	1128 141 6302	Air baffle	1		
22	1128 140 1009	Filter cover	1	23, 24	
23	1128 141 4001	Slide	1		
24	1124 140 9500	Twist lock	1		
25	0000 967 7248	Warning pictogram Filler cap	1		USA
26	0000 967 1593	Model plate Magnum	1		CDN, AUS, NZ, BR

Carburetor HD-50, HD-51



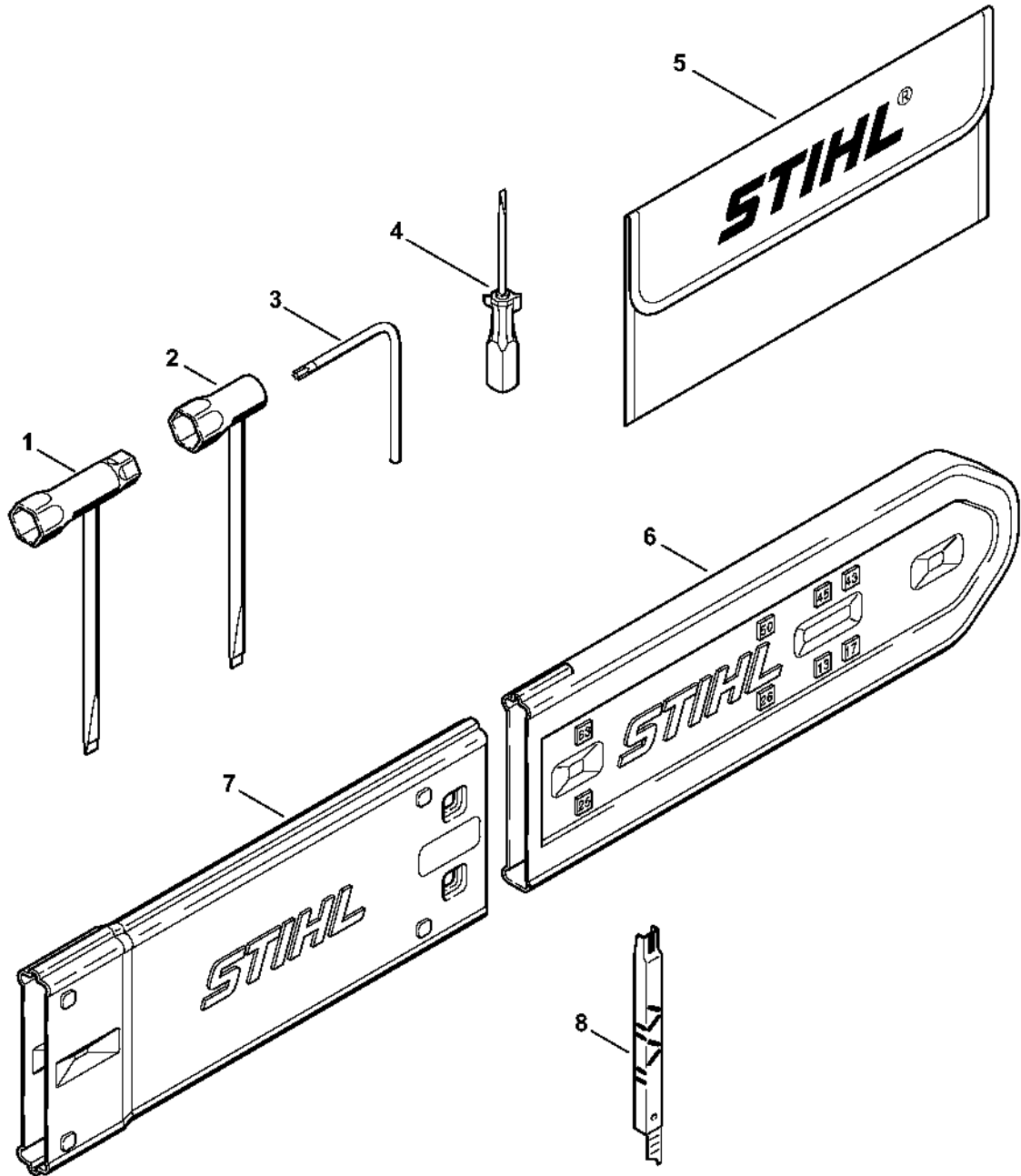
9443ETD10 SC

Carburetor HD-50, HD-51

#	Part Number	Description	Quantity	Contains Item(s)	Remarks
	1128 120 0629	Carburetor HD-50A	1	1 - 26, 30 - 34	
	1128 120 0630	Carburetor HD-51A	1	1 - 29, 32, 35	BR
1	4116 121 5100	Inlet needle	1		
2	4116 121 5000	Inlet control lever	1		
3	1128 122 3002	Spring	1		
4	1113 121 9200	Spindle	1		
5	1114 122 7400	Round head screw	1		
6	4117 122 9402	Plug	1		
7	1128 129 0906	Gasket	1		
8	4116 121 4700	Metering diaphragm	1		
9	1128 121 0801	End cover	1		
10	1121 122 7101	Screw	4		
11	1114 121 7800	Strainer	1		
12	4116 121 4800	Pump diaphragm	1		
13	4116 129 0902	Gasket	1		
14	1127 122 3205	Torsion spring	1		
15	1127 120 7100	Throttle shaft with lever	1		
16	1117 122 9000	E-clip	1		
17	1128 121 3302	Throttle shutter	1		
18	4224 122 7801	Oval head screw	1		
19	1128 122 3207	Torsion spring	1		
20	1128 120 7202	Choke shaft with lever	1		
21	1123 122 9000	E-clip	1		
22	1122 121 2900	Choke shutter	1		
23	1121 122 7102	Round head screw	1		
24	1127 122 6200	Idle speed screw	1		
25	1127 121 0800	End cover	1		

Carburetor HD-50, HD-51

#	Part Number	Description	Quantity	Contains Item(s)	Remarks
26	1114 122 7100	Screw	1		
27	1128 122 3003	Spring	2		BR
28	1128 122 6704	High speed screw	1	32	BR
29	1128 122 6809	Low speed screw	1	32	BR
30	4203 122 6703	High speed screw	1	32	
31	1128 122 6808	Low speed screw	1	32	
32		Sealing ring	1		
33	4203 121 2700	Cap	2		
34	1127 121 5602	Fixed jet 0.58	1		
35	1122 121 5604	Fixed jet 0.64	1		BR
	1128 007 1066	Set of carburetor parts	1	1 - 3, 7, 8, 11 - 13, 27	

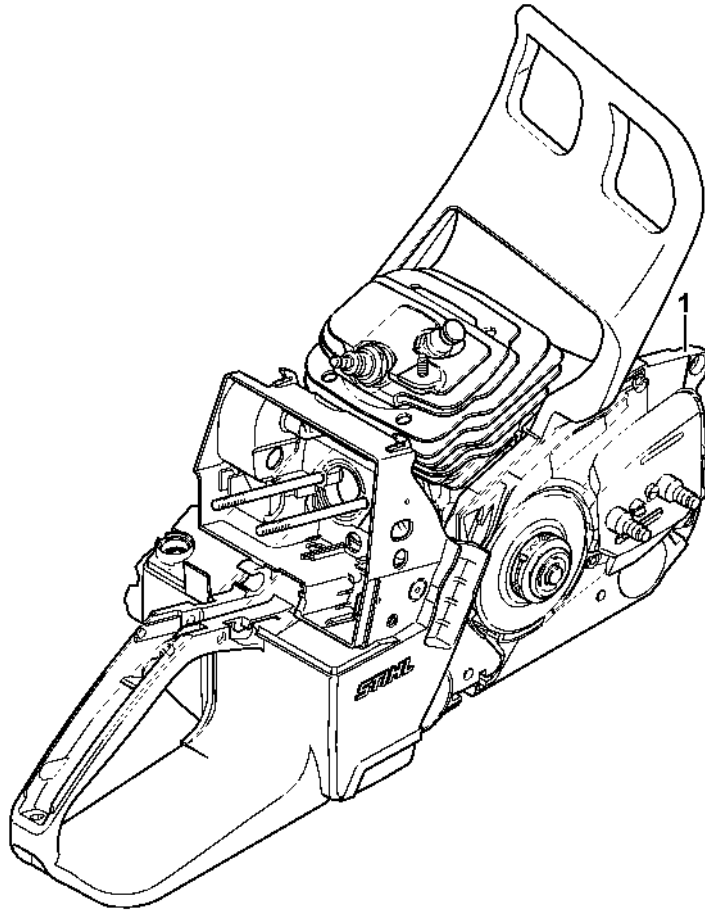


1128-GET-0002-A0

Tools, Extras

#	Part Number	Description	Quantity	Contains Item(s)	Remarks
	1121 890 1400	Tool kit	1	1, 3 - 5	
1	1129 890 3401	Combination wrench	1		
3	0812 370 1000	Screwdriver T27x120x70	1		
4	0000 890 2300	Screwdriver	1		
5	0000 891 0810	Tool roll	1		
6	0000 792 9129	Chain scabbard	1		
7	0000 792 9132	Chain scabbard extension up to 63 cm	1		
8	1110 893 4000	Filing gauge	1		

Serial number

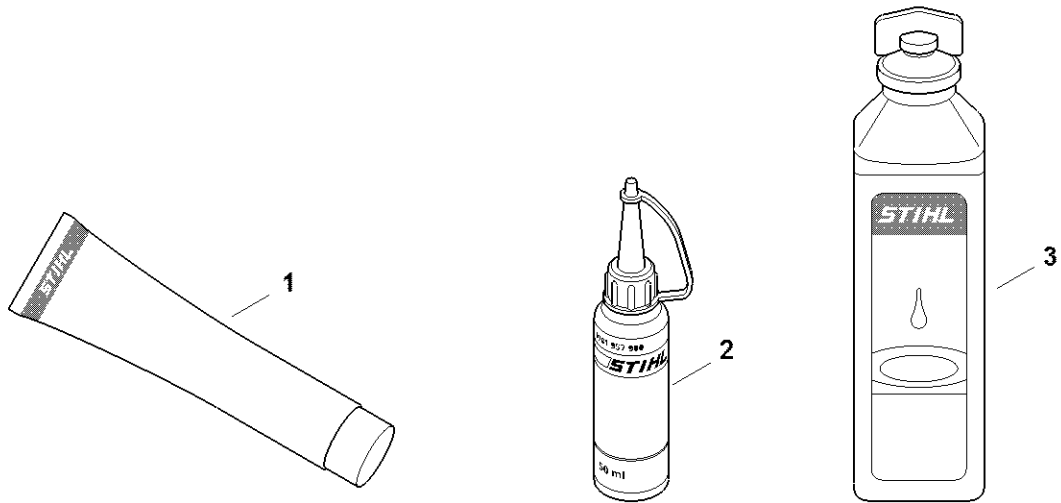


3443ET014.SC

Serial number

#	Part Number	Description	Quantity	Contains Item(s)	Remarks
1		Position of serial number	1		

Auxiliary and operating materials

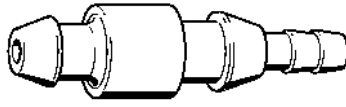


0000-GET-0170-A0

Auxiliary and operating materials

#	Part Number	Description	Quantity	Contains Item(s)	Remarks
1	0781 120 1021	Multi-purpose grease (tube 40 g)	1		
1	0781 120 1021	Multi-purpose grease (tube 40 g)	1		
1	0781 120 1109	Multi-purpose grease (tube 80 g)	1		
1	0781 120 1109	Multi-purpose grease (tube 80 g)	1		
1	0781 120 1110	Multipurpose grease 225 g	1		
1	0781 120 1110	Multipurpose grease 225 g	1		
2	0781 957 9000	Press fluid OH 723	1		
2	0781 957 9000	Press fluid OH 723	1		
3	0781 319 8401	HP 100ml	1		
3	0781 319 8052	HP Super 100ml	1		
3	0781 319 8060	HP Ultra 100ml	1		

Nipple

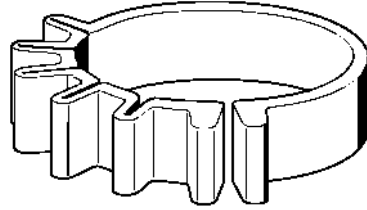


901SW008.GM

Nipple

#	Part Number	Description	Quantity	Contains Item(s)	Remarks
	0000 855 9200	Nipple	1		

Clamping strap

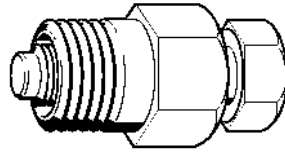


901SW011 GM

Clamping strap

#	Part Number	Description	Quantity	Contains Item(s)	Remarks
	0000 893 2600	Clamping strap	1		

Puller

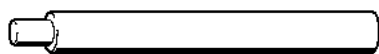


9015W020 GM

Puller

#	Part Number	Description	Quantity	Contains Item(s)	Remarks
	1110 890 4500	Puller	1		

Assembly drift

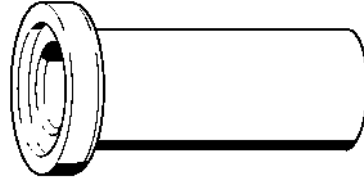


901SW023 GM

Assembly drift

#	Part Number	Description	Quantity	Contains Item(s)	Remarks
	1108 893 4700	Assembly drift	1		

Press sleeve

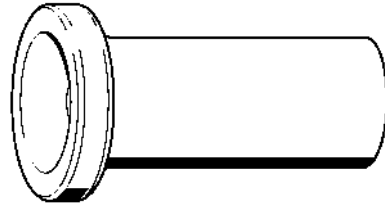


901SW025 GM

Press sleeve

#	Part Number	Description	Quantity	Contains Item(s)	Remarks
	1108 893 2405	Press sleeve	1		

Installing sleeve

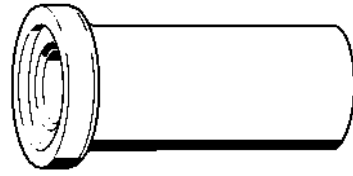


901SW050 GM

Installing sleeve

#	Part Number	Description	Quantity	Contains Item(s)	Remarks
	1115 893 4600	Installing sleeve	1		

Press sleeve



9015W059 GM

Press sleeve

#	Part Number	Description	Quantity	Contains Item(s)	Remarks
	1118 893 2401	Press sleeve	1		

Installing sleeve

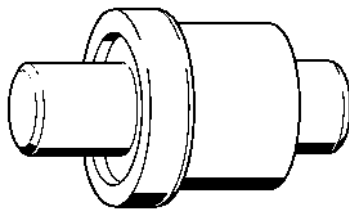


901SW061 GM

Installing sleeve

#	Part Number	Description	Quantity	Contains Item(s)	Remarks
	1118 893 4602	Installing sleeve	1		

Press arbor

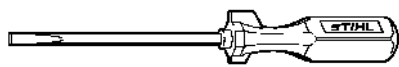


901SW062 GM

Press arbor

#	Part Number	Description	Quantity	Contains Item(s)	Remarks
	1118 893 7200	Press arbor	1		

Screwdriver



901SW072 GM

Screwdriver

#	Part Number	Description	Quantity	Contains Item(s)	Remarks
	5910 890 2305	Screwdriver	1		

Sealing plate

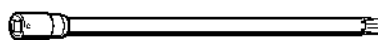


901SW078-GM

Sealing plate

#	Part Number	Description	Quantity	Contains Item(s)	Remarks
	0000 855 8106	Sealing plate	1		

Socket, T27x125

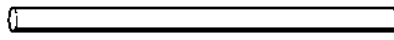


901SW091 GM

Socket, T27x125

#	Part Number	Description	Quantity	Contains Item(s)	Remarks
	0812 542 2104	Driver bit, 1/4" square drive, T27x125	1		

Hose 135 mm / 5 5/16"

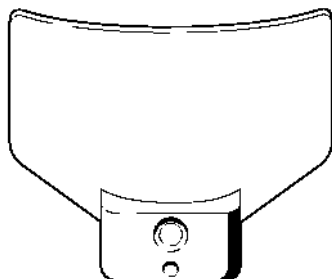


901SW100 GM

Hose 135 mm / 5 5/16"

#	Part Number	Description	Quantity	Contains Item(s)	Remarks
	1110 141 8600	Hose 135 mm / 5 5/16"	1		

Setting gauge



901SW107 GM

Setting gauge

#	Part Number	Description	Quantity	Contains Item(s)	Remarks
	1111 890 6400	Setting gauge	1		

Assembly tube

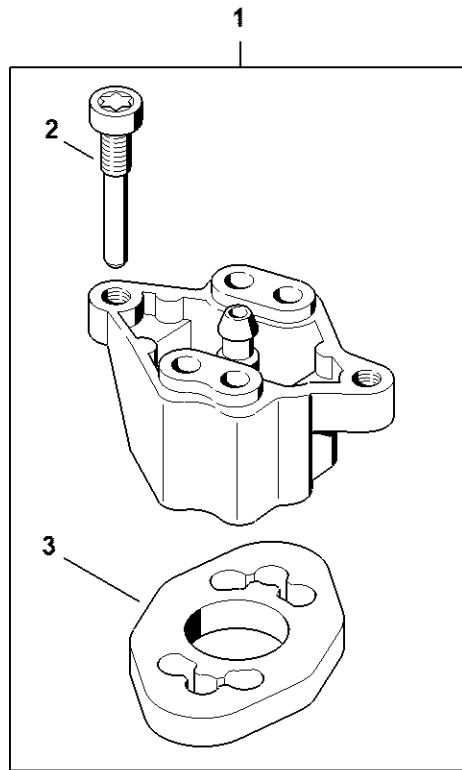


901SW112.GM

Assembly tube

#	Part Number	Description	Quantity	Contains Item(s)	Remarks
	1117 890 0900	Assembly tube	1		

Flange

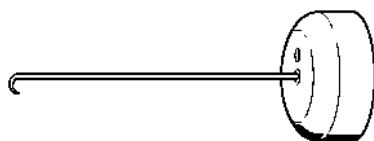


5910-GET-0183-A1

Flange

#	Part Number	Description	Quantity	Contains Item(s)	Remarks
1	5910 850 4207	Flange	1	2, 3	
2	1128 855 9000	Screw M5x30	1		
3	5910 851 9901	Gasket	1		

Assembly hook



901SW205 GM

Assembly hook

#	Part Number	Description	Quantity	Contains Item(s)	Remarks
	5910 890 2800	Assembly hook	1		

Stud puller, M8

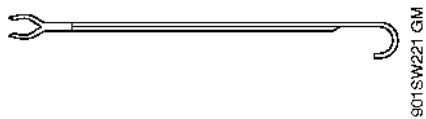


901SW209 GM

Stud puller, M8

#	Part Number	Description	Quantity	Contains Item(s)	Remarks
	5910 893 0501	Stud puller, M8	1		

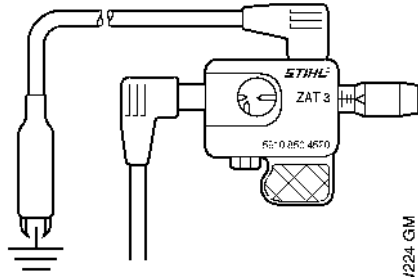
Assembly hook



Assembly hook

#	Part Number	Description	Quantity	Contains Item(s)	Remarks
	5910 893 8800	Assembly hook	1		

Ignition system tester, ZAT 3

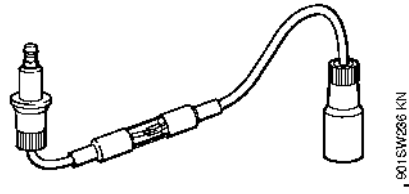


901SW224-GM

Ignition system tester, ZAT 3

#	Part Number	Description	Quantity	Contains Item(s)	Remarks
	5910 850 4520	Ignition system tester, ZAT 3	1		

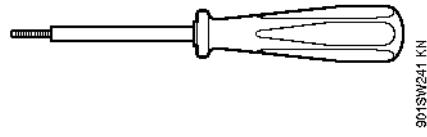
Ignition system tester, ZAT 4



Ignition system tester, ZAT 4

#	Part Number	Description	Quantity	Contains Item(s)	Remarks
	5910 850 4503	Ignition system tester, ZAT 4	1		

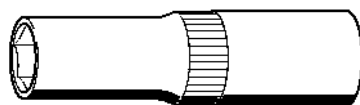
Puller



Puller

#	Part Number	Description	Quantity	Contains Item(s)	Remarks
	5910 890 4500	Puller	1		

Socket, 13 mm, long reach



9015W285 KN

Socket, 13 mm, long reach

#	Part Number	Description	Quantity	Contains Item(s)	Remarks
	5910 893 2804	Socket, 13 mm, long reach	1		

Locking strip

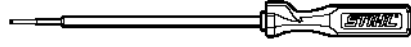


501 D-GET-0125-AD

Locking strip

#	Part Number	Description	Quantity	Contains Item(s)	Remarks
1	0000 893 5903	Locking strip	1		

Screwdriver

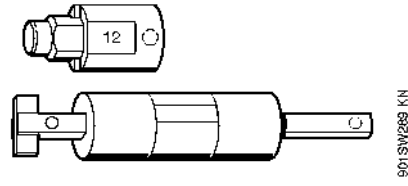


901SW282 K1N

Screwdriver

#	Part Number	Description	Quantity	Contains Item(s)	Remarks
	5910 890 2304	Screwdriver	1		

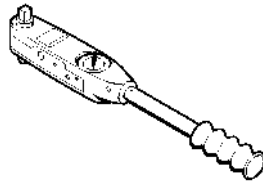
Installing tool, 12



Installing tool, 12

#	Part Number	Description	Quantity	Contains Item(s)	Remarks
	5910 890 2212	Installing tool, 12	1		
	5910 893 1706	Sleeve	1		

Torque wrench

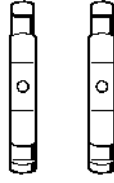


9015W251 KN

Torque wrench

#	Part Number	Description	Quantity	Contains Item(s)	Remarks
	5910 890 0311	Torque wrench	1		

Jaw (profile No. 3.1 and 4)

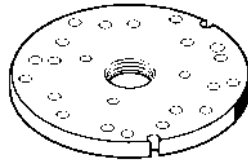


MS 268MS106

Jaw (profile No. 3.1 and 4)

#	Part Number	Description	Quantity	Contains Item(s)	Remarks
	0000 893 3706	Jaw (profile No. 3.1 and 4)	1		

Drilled plate

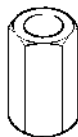


90131V395 C11

Drilled plate

#	Part Number	Description	Quantity	Contains Item(s)	Remarks
	5910 893 2101	Drilled plate	1		

Screw sleeve



MS 856MS106

Screw sleeve

#	Part Number	Description	Quantity	Contains Item(s)	Remarks
	5910 893 2420	Screw sleeve	1		

Sleeve



90131941 CIM

Sleeve

#	Part Number	Description	Quantity	Contains Item(s)	Remarks
	5910 893 1701	Sleeve	1		

Screw sleeve



MS 461 Z MAGNUM

Screw sleeve

#	Part Number	Description	Quantity	Contains Item(s)	Remarks
	5910 893 2409	Screw sleeve	1		

Plug

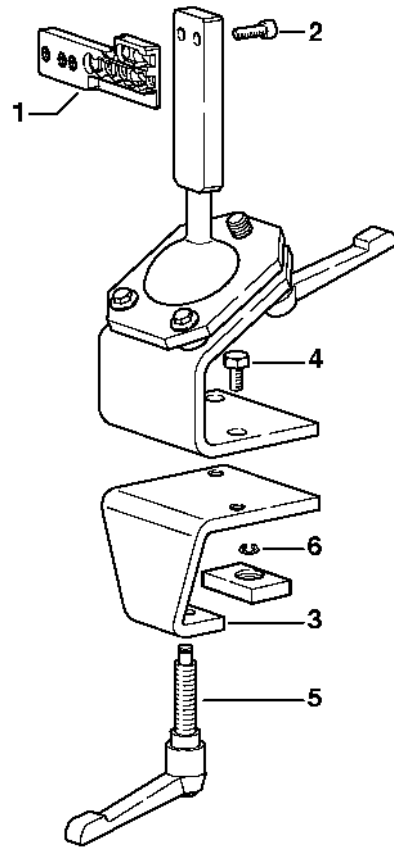


9015W367 GM

Plug

#	Part Number	Description	Quantity	Contains Item(s)	Remarks
	1122 025 2200	Plug	1		

Assembly stand

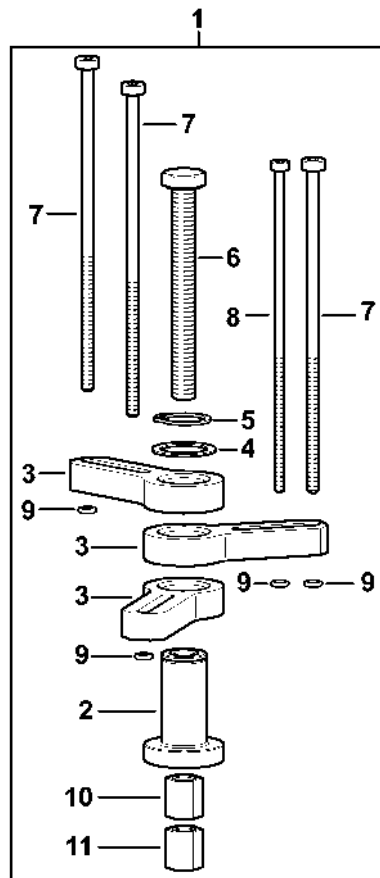


90151633 SC

Assembly stand

#	Part Number	Description	Quantity	Contains Item(s)	Remarks
	5910 890 3101	Assembly stand	1	1 - 6	
1	5910 850 1651	Support	1		
2	9045 319 2390	Socket head screw M10x25	2		
3	5910 850 2100	Clamping plate	1	4 - 6	
4	9008 319 2930	Hexagon head screw M12x20	2		
5	5910 890 1901	Clamp lever	1		
6	9455 621 0850	Circlip 10x1	1		

Puller

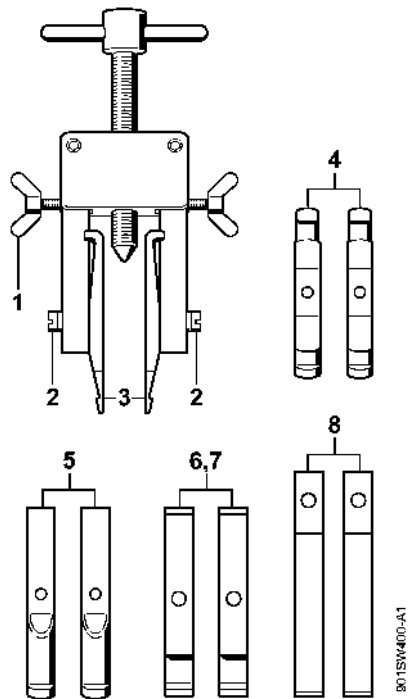


5910-GET-0009-A1

Puller

#	Part Number	Description	Quantity	Contains Item(s)	Remarks
1	5910 890 4505	Puller	1	2 - 11	
2	5910 893 1712	Sleeve	1		
3	5910 895 0700	Extension arm	3		
4	0000 958 0206	Washer	1		
5	9455 621 2150	Circlip 20x1.2	1		
6	9010 346 2545	Hexagon head screw DIN933-M10x1x95-10.9	1		
7	9022 346 1200	Spline screw IS-M5x145x60-10.9	3		
8	9022 346 0852	Spline screw IS-M4x145x60-10.9	1		
9	9646 945 0160	O-ring 4x2	4		
10	5910 895 0900	Guide piece D8	1		
11	5910 895 0901	Guide piece D10	1		

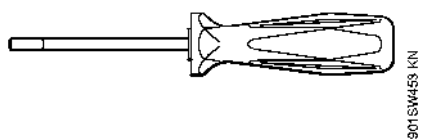
Puller



Puller

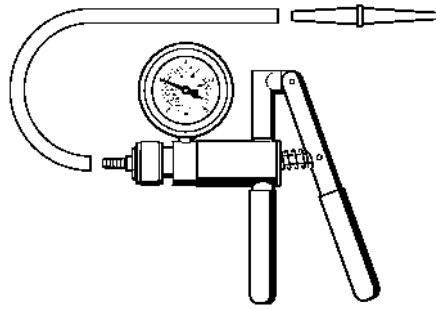
#	Part Number	Description	Quantity	Contains Item(s)	Remarks
	5910 890 4400	Puller	1	1 - 8	
1	9157 691 0980	Wing screw M5x16	2		
2	9044 319 0980	Pan head screw M5x16	2		
3	0000 893 3700	Jaw (profile No. 1 and 2)	2		
4	0000 893 3706	Jaw (profile No. 3.1 and 4)	2		
5	0000 893 3711	Jaw (profile No. 6)	2		
6	0000 893 3703	Jaw (profile No. 7)	2		
7	0000 893 3704	Jaw (profile No. 8)	2		
8	0000 893 3707	Jaw (profile No. 9)	2		

Punchdown tool



Punchdown tool

#	Part Number	Description	Quantity	Contains Item(s)	Remarks
	5910 890 4000	Punchdown tool	1		

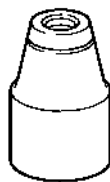


901 SW498 GM

Pump

#	Part Number	Description	Quantity	Contains Item(s)	Remarks
	0000 850 1300	Pump	1		
	0000 855 9201	Nipple	1		
	0000 855 0100	Hose	1		

Stud puller, M8-9.5

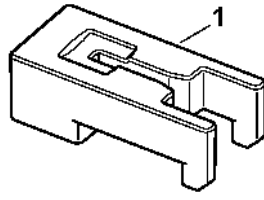


9015W503 GM

Stud puller, M8-9.5

#	Part Number	Description	Quantity	Contains Item(s)	Remarks
	5910 890 3001	Stud driver M8-9.5	1		

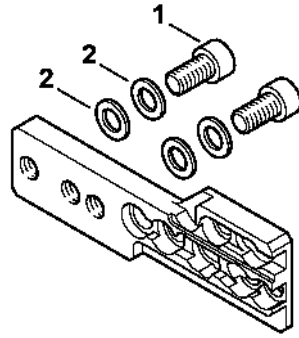
Piston support



5910-GET-0001-A0

Piston support

#	Part Number	Description	Quantity	Contains Item(s)	Remarks
1	5910 893 5301	Piston support	1		

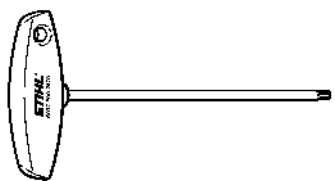


90151647 SC

Support

#	Part Number	Description	Quantity	Contains Item(s)	Remarks
	5910 850 1651	Support	1	1, 2	
1	9045 319 2390	Socket head screw M10x25	2		
2	9291 021 3870	Washer 10.5x20x1.5	4		

Screwdriver, T27x150

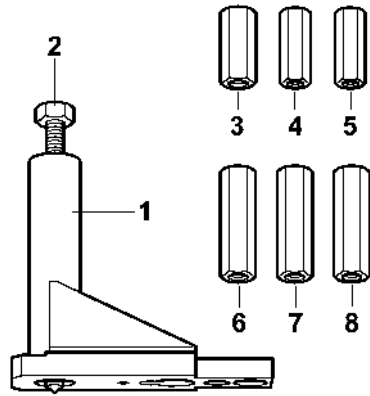


901SW67E K11

Screwdriver, T27x150

#	Part Number	Description	Quantity	Contains Item(s)	Remarks
	5910 890 2400	Screwdriver, T27x150	1		

Service tool AS

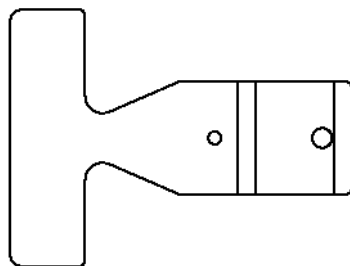


9015W683 SC

Service tool AS

#	Part Number	Description	Quantity	Contains Item(s)	Remarks
	5910 007 2222	Service tool AS	1	1 - 8	
1	5910 890 2222	Service tool AS	1	2	
2	5910 893 8500	Spindle AS	1		
3	5910 893 2405	Screw sleeve	1		
4	5910 893 2406	Screw sleeve	1		
5	5910 893 2407	Screw sleeve	1		
6	5910 893 2408	Screw sleeve	1		
7	5910 893 2409	Screw sleeve	1		
8	5910 893 2202	Screw sleeve	1		

Setting gauge

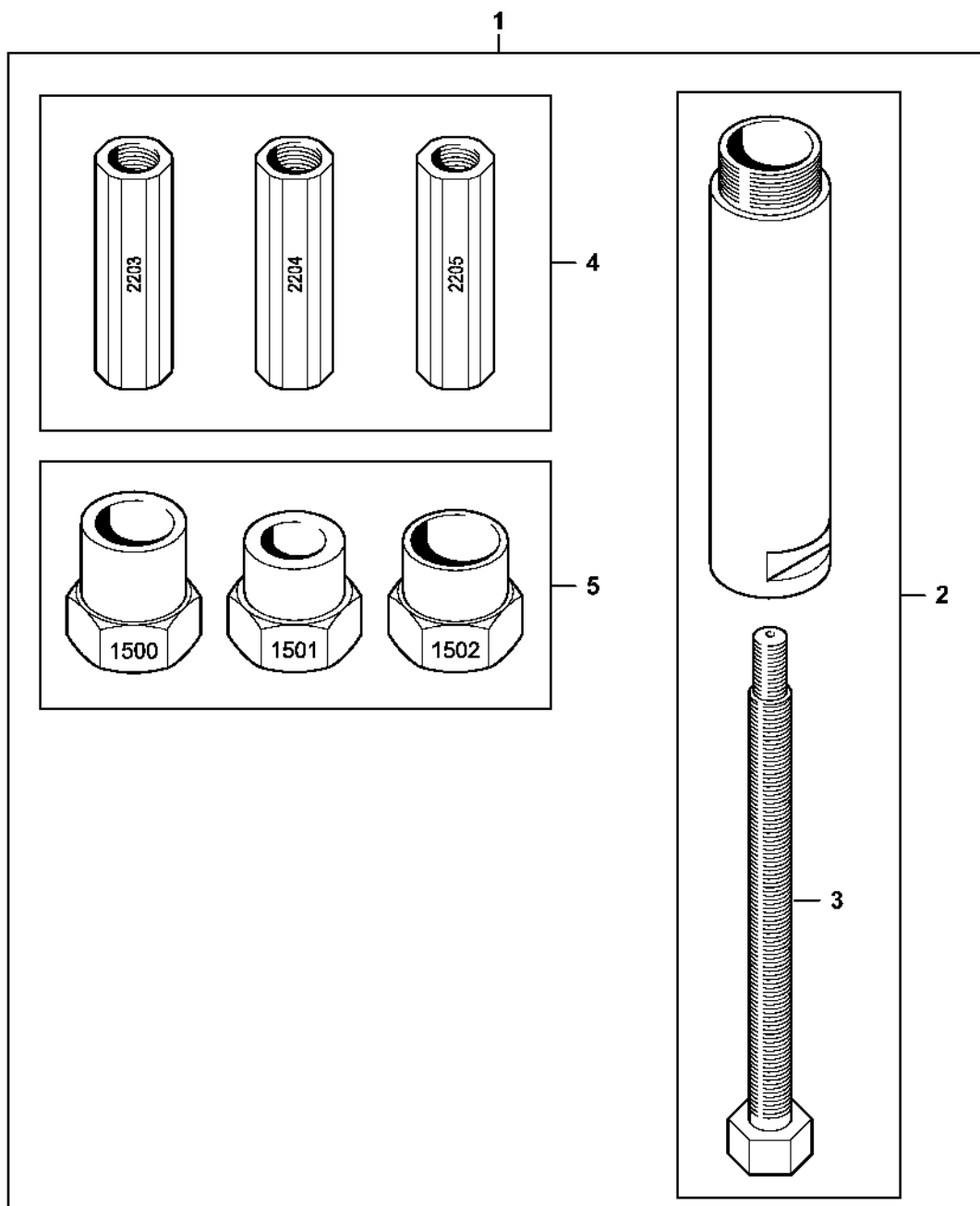


901SW605-SC

Setting gauge

#	Part Number	Description	Quantity	Contains Item(s)	Remarks
	0000 890 6401	Setting gauge	1		

Installing tool AS

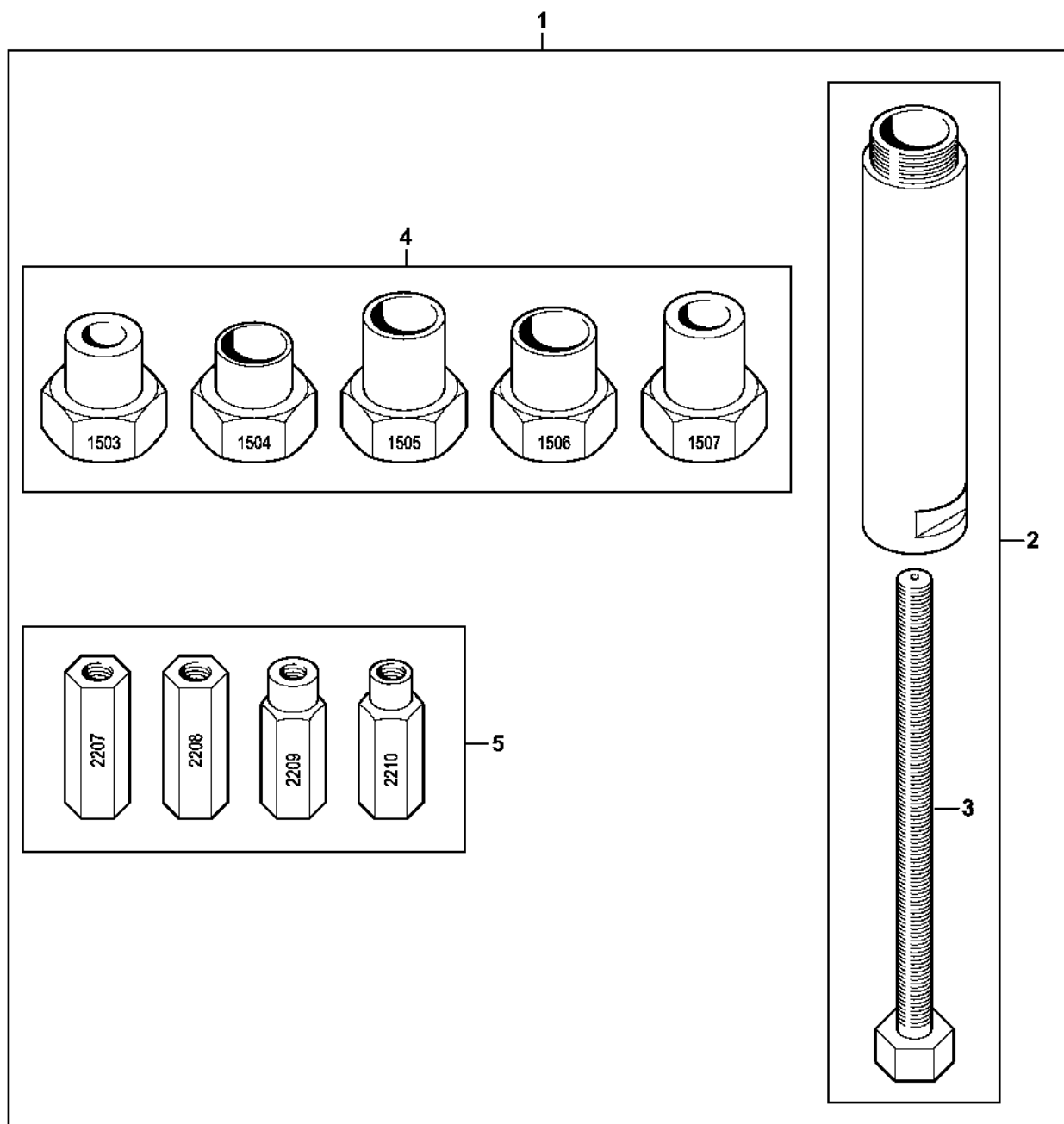


9610-GET-0129-A0

Installing tool AS

#	Part Number	Description	Quantity	Contains Item(s)	Remarks
1	5910 850 5220	Installing tool AS	1	2 - 5	http://stihl.com/sxyRs8
2	5910 890 8401	Spindle AS	1	3	
3	5910 893 8503	Spindle M8x1-LH AS	1		
4	5910 007 1009	Set of screw sleeves AS	1		
5	5910 007 1007	Adapter kit AS	1		

Installing tool LS



9510-GET-0130-A0

Installing tool LS

#	Part Number	Description	Quantity	Contains Item(s)	Remarks
1	5910 850 5221	Installing tool LS	1	2 - 5	http://stihl.com/sxyRs8
2	5910 890 8402	Spindle LS	1	3	
3	5910 893 8504	Spindle M8x1 LS	1		
4	5910 007 1008	Adapter kit LS	1		
5	5910 007 1010	Set of screw sleeves LS	1		