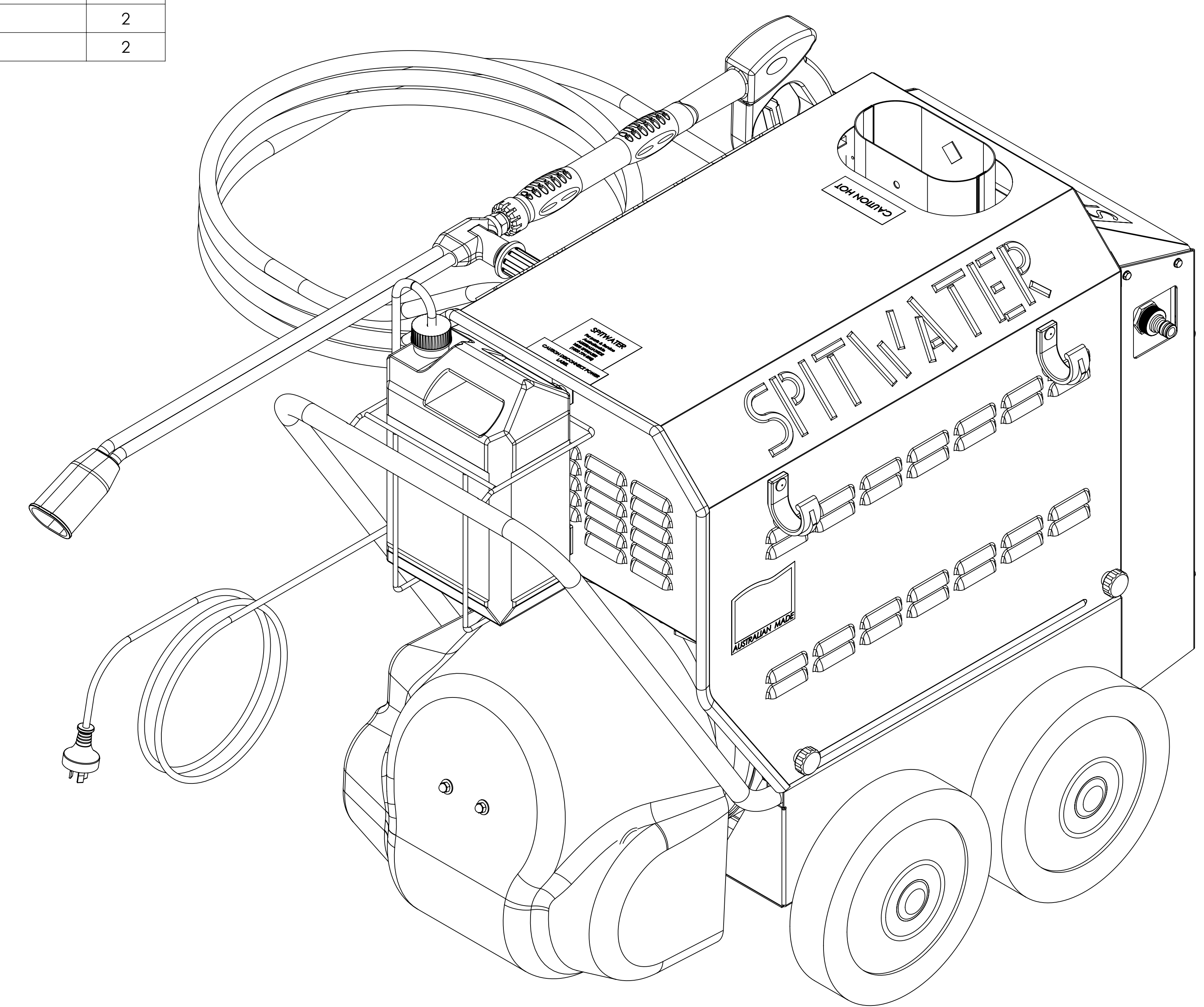


PROPRIETARY, CONFIDENTIAL AND COMPLIANCE: THE INFORMATION CONTAINED IN THIS DRAWING IS THE SOLE PROPERTY OF SPITWATER AUSTRALIA. ANY REPRODUCTION IN PART OR AS A WHOLE WITHOUT THE WRITTEN PERMISSION OF SPITWATER AUSTRALIA Pty.Ltd. IS PROHIBITED. ANY CHANGES REQUIRE ENGINEERING OFFICE APPROVAL PRIOR TO IMPLEMENTATION. IF IN DOUBT - CONSULT YOUR TEAM LEADER OR PRODUCTION MANAGER.

| ITEM NO. | PART NUMBER  | MATERIAL | DESCRIPTION                                | QTY. |
|----------|--------------|----------|--|------|
| 1        | 48026        |          | FRAME COMPLETE                             | 1    |
| 2        | 48030-01     |          | DIESEL TANK                                | 1    |
| 3        | 48032-01     |          | BREAK TANK                                 | 1    |
| 4        | PA29016020   |          | RGO FLOAT VALVE 10bar 60° C 29l/m @ 2bar   | 1    |
| 5        | 48875        | 70075/T  | SPLASH PROTECTION,85 WIDE                  | 1    |
| 6        | 70200-Z      | 70043/A  | WASHER ALUMINIUM 3/4"                      | 1    |
| 7        | 48784        |          | SUCTION FILTER 3/8" F BSPP                 | 1    |
| 8        | 44005        | 70291/R  | ELBOW 3/8" F BSPP - 11mm HOLE              | 1    |
| 9        | 70559        |          | TAIL PIECE COMPLETE 3/4" F BSPP - SNAP ON  | 1    |
| 10       | 44541        | 70291/H  | HOSE BARB 1/8" M BSP T - 1/4" HOSE BARB    | 2    |
| 11       | 48775        | 70291/P  | HOSEBARB 3/8" M BSPT - 1/2" BARB           | 2    |
| 12       | 48701        |          | DIESEL FILTER                              | 1    |
| 13       | 47039        | 70291/M  | HOSE BARB 1/4" M BSPT-1/4" HOSE BARB       | 2    |
| 14       | 70036-N00330 | 70036/N  | HOSE PETROCAR 10L/L dn 6 X 13 330mm        | 1    |
| 15       | 70036-N00880 | 70036/N  | HOSE PETROCAR 10L/L dn 6 X 13 880mm        | 1    |
| 16       | 70036-N00880 | 70036/N  | HOSE PETROCAR 10L/L dn 6 X 13 880mm        | 1    |
| 17       | 44906-A      | 70044/G  | INSULATION                                 | 1    |
| 18       | 48504        |          | CYLINDER COMPLETE                          | 1    |
| 19       | 48040-C      |          | COIL MINI 3/8" M BSPP INLET 1/2" BSPP      | 1    |
| 20       | 47134        | 70291/U  | NIPPLE 1/2" M BSPT - 3/8" M BSPT           | 1    |
| 21       | 44890        | 70075/T  | WASHER 50mm STAINLESS STEEL                | 1    |
| 22       | 47211        |          | SUMP COMPLETE                              | 1    |
| 23       | PA21003021   |          | FIXED VENTURI INJECTOR 2.1 mm              | 1    |
| 24       | 48734        |          | PIPE SAFETY VALVE                          | 1    |
| 25       | 72034        | 70291/U  | NIPPLE 3/8" F BSPP - 3/8" M BSPT           | 1    |
| 26       | 46213-A      |          | SAFETY VALVE COMPLETE                      | 1    |
| 27       | 44901-A      |          | SUPERWOOL PLUS BLANKET DISC NO HOLE        | 1    |
| 28       | 44901-C      |          | SUPERWOOL PLUS BLANKET STRIP               | 1    |
| 29       | 44899-B      | 44900    | SUPERWOOL PLUS BLANKET STRIP               | 1    |
| 30       | 44901        |          | SUPERWOOL PLUS BLANKET DISC WITH HOLE      | 1    |
| 31       | 44910-A      |          | STACK COMPLETE-MINI                        | 1    |
| 32       | 44091        |          | BURNER SUPPORT COMPLETE                    | 1    |
| 33       | 44101        |          | GASKET - BURNER SW HT PAPER                | 1    |
| 34       | 44902-E01    |          | BURNER WITH NOZZLE 1.35 230V 50HZ 1PH      | 1    |
| 35       | 48314        |          | MOTOR 2.2kW 2POLE-MEC 90L-MALESHAFT 18mm   | 1    |
| 36       | 48243-A      |          | FLANGE SOGA 2.2kW 2P                       | 1    |
| 37       | 1PP74-A      |          | WW95 DX HOLLOW SHAFT+BS HEAD+VALVE 3/8"    | 1    |
| 38       | 44893        | 70329/L  | PLUG                                       | 1    |
| 39       | 47036        | 70921/U  | HOSEBARB 1/2" M BSPT - 1/2" HOSEBARB       | 1    |
| 40       | 44007        |          | ELBOW 3/8" M BSPT - 1/2" HOSEBARB 10bar    | 1    |
| 41       | 70301        |          | ELECTRICAL PANEL ASSEMBLY COMPLETE         | 1    |
| 42       | 70571        |          | CABLE TIE G200x4.6N                        | 7    |
| 43       | 70570        |          | CABLE TIE G100x2.5N                        | 2    |
| 44       | 70572        |          | CABLE TIE G300x7N                          | 1    |
| 45       | 48705 C      |          | HP HOSE 0.24m 1/4" FBSPP-1/4" FBSPP 250bar | 1    |
| 46       | 48706-G      |          | HP HOSE 0.39m 3/8" FBSPP-3/8" FBSPP 210bar | 1    |
| 47       | 48733-A      | 70036/E  | HOSE AQUAGEN 1/2" 320mm                    | 1    |
| 48       | 48733-B      | 70036/E  | HOSE AQUAGEN 1/2" 420mm                    | 1    |
| 49       | 48749-A      |          | H/P HOSE 8m 3/8" F BSPP-3/8" F BSPP 210bar | 1    |
| 50       | 44930        |          | BASKET COMPLETE                            | 1    |
| 51       | 47002        |          | DETERGENT BOTTLE 5l NATURAL                | 1    |
| 52       | 46241        |          | 2 STEP PLASTIC DET FILTER 1/4" HOSE BARB   | 1    |
| 53       | 48546        |          | TANK PROTECTION COMPLETE                   | 1    |
| 54       | 48553        |          | TANK RETAINER COMPLETE                     | 2    |
| 55       | 48071        |          | BURNER PROTECTION COVER                    | 1    |
| 56       | 48072        |          | COVER COMPLETE                             | 1    |
| 57       | 46236        |          | FASTENING KNOB                             | 6    |
| 58       | 48440        | 70595    | PROTECTIVE MOULDING HOT WATER              | 1    |
| 59       | 48442        | 70595    | PROTECTIVE MOULDING 900mm                  | 1    |
| 60       | 48876        |          | LANCE HOLDER                               | 2    |
| 61       | 48750-B      |          | CAP WITH BREATHER D90 BLACK                | 1    |
| 62       | PA26025050   |          | AR1 B M22 3PCS SCREW-TYPE CPL.-3/8M BSP    | 1    |
| 63       | M4022105010  |          | MV925+MV70+ARF 30l/min 280bar 160°C        | 1    |
| 64       | M392301      |          | DOUBLE LANCE 684mm - M22 X1.5 - 1/4" NPTF  | 1    |
| 65       | 70014-03515  |          | HIGH PRESSURE NOZZLE 1/4" M NPT 035 15°    | 1    |
| 66       | M0124710120  |          | LOW PRESSURE NOZZLE 600 50° 50bar 150°C    | 1    |
| 67       | 33265        |          | WHEEL AC 250 250mm - BORE Ø20mm            | 4    |
| 68       | 33265-B      |          | HUB CAP COVER G48 BLACK                    | 4    |
| 69       | 33265-C      |          | HUB CAP BLOCK 20 Ø20.0mm                   | 4    |
| 70       | 70050-F      |          | FULL NUT M8 x 1.25 - 6                     | 10   |

| ITEM NO. | PART NUMBER | MATERIAL | DESCRIPTION                             | QTY. |
|----------|-------------|----------|---|------|
| 71       | 70053-G     | -        | HEXAGON DOMED CUP NUTS M6 x 1.0         | 2    |
| 72       | 199180700   |          | SCREW M 6x10 UNI 5739                   | 4    |
| 73       | 70104-I     |          | SCREW HEX HEAD M6 x 1.00 x 16 -4.8      | 4    |
| 74       | 70106-P     |          | SCREW HEX HEAD M8 x 1.25 x 25 - 4.6     | 4    |
| 75       | 70120-I     |          | SOCKET CAP SCREW M6 x 1.00 x 16 - 12.9  | 4    |
| 76       | 70141-D     |          | PHILLIPS PAN HEAD M4 x 0.7 x 8          | 4    |
| 77       | 70230-B     |          | POP RIVET 4.8x1 8 HEAD 14               | 2    |
| 78       | 70196       |          | HEX HEAD SELF-DRILL SCREW COLLAR 4.8x16 | 22   |
| 79       | 70200-E     |          | FLAT WASHER 6.50 x 13 x 1.20            | 4    |
| 80       | 70200-F     |          | FLAT WASHER 6.50 x 16 x 1.20            | 2    |
| 81       | 70200-MM    |          | FLAT WASHER 1/2" x 1 1/8" x 16 GAUGE    | 1    |
| 82       | 70200-HH    |          | FLAT WASHER 8.50 x 25 x 1.60            | 10   |
| 83       | 70200-P     |          | STANDARD FLAT WASHER 20.50 x 35 x 3     | 4    |
| 84       | 70210-B     |          | INTERNAL TOOTH LOCK WASHER M 4          | 4    |
| 85       | 70210-D     |          | INTERNAL TOOTH LOCK WASHER M 6          | 8    |
| 86       | 70220-F     |          | SPRING LOCK WASHER M8                   | 14   |
| 87       | 70597-A     |          | HOSE CLAMP 304SS 16-8mm 8mm WIDE        | 7    |
| 88       | 70597-D     |          | EAR CLAMP 304SS21-18.5mm 7mm WIDE       | 4    |
| 89       | 20200       |          | AUSTRALIAN MADE LABEL                   | 1    |
| 90       | 20201       |          | CAUTION HOT LABEL                       | 1    |
| 91       | 20205       |          | PARTS & SERVICE LABEL                   | 1    |
| 92       | 20222       |          | CAUTION DISCONNECT POWER LABEL          | 2    |
| 93       | 20240       |          | SERIAL NUMBER LABEL                     | 1    |
| 94       | 20241       |          | MODEL LABEL                             | 1    |
| 95       | 20246       |          | DIESEL ONLY LABEL                       | 1    |
| 96       | 20247-A     |          | BURNER LABEL                            | 1    |
| 97       | 20252       |          | SPITWATER LARGE LOGO LABEL              | 2    |
| 98       | 48651       |          | PALLET COMPLETE                         | 1    |
| 99       | 48650       |          | PACKAGING 10-120H                       | 1    |
| 100      | 72030       |          | PACKING BRACKETS                        | 6    |
| 101      | 72029       |          | AXLE BRACKET-FOR PALLET                 | 2    |
| 102      | 20242       |          | PACKAGING LABEL                         | 2    |



|          | DATE       | NAME   |
|----------|------------|--------|
| APPROVED |            |        |
| CHECKED  |            |        |
| DRAWN    | 13/10/2017 | Rajdev |

SCALE: 1:3

THIRD ANGLE

**SPITWATER AUSTRALIA**

HEAD OFFICE AND MANUFACTURING PLANT  
953 METRY STREET, ALBURY,  
NSW 2640, AUSTRALIA  
PH. 02 60257255 FAX. 02 60401187  
E-MAIL: enquiries@spitwater.com  
WEB SITE: www.spitwater.com

|  |                          |
|--|--------------------------|
| DESCRIPTION:<br>10-120H 1800PSI 10L/M 3HP 1PH 240/50 | PART No.<br><b>SLD09</b> |
| MATERIAL:  | QTY: -                   |
| TIME OF PRODUCTION:                                  | ATOT:-<br>FINISH:        |

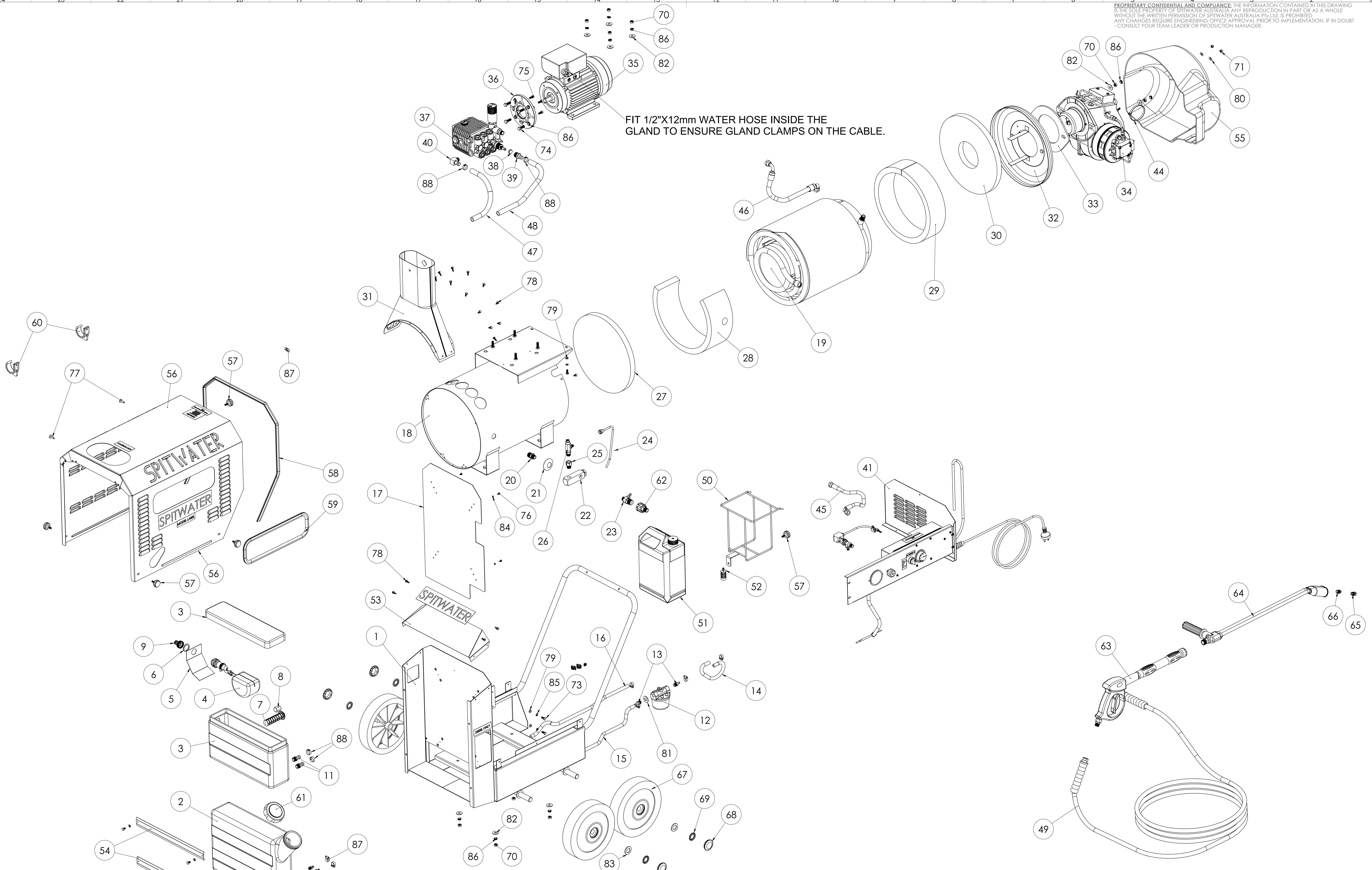
**SHEET 1 OF 3**

| REV. | SERIAL NUMBER | ISSUED FOR CONSTRUCTION/DN | AMENDMENT | BY,CHK/APP | DATE      |
|------|---------------|----------------------------|-----------|------------|-----------|
| A    |               |                            |           |            | 6/04/2016 |

NOTES:



PROPRIETARY CONFIDENTIAL AND COMPLIANCE: THE INFORMATION CONTAINED IN THIS DRAWING IS THE SOLE PROPERTY OF SPITWATER AUSTRALIA. ANY REPRODUCTION IN PART OR AS A WHOLE WITHOUT THE WRITTEN PERMISSION OF SPITWATER AUSTRALIA Pty.Ltd. IS PROHIBITED. ANY CHANGES REQUIRE ENGINEERING OFFICE APPROVAL PRIOR TO IMPLEMENTATION. IF IN DOUBT CONSULT YOUR TEAM LEADER OR PRODUCTION MANAGER.



FIT 1/2"X12mm WATER HOSE INSIDE THE GLAND TO ENSURE GLAND CLAMPS ON THE CABLE.

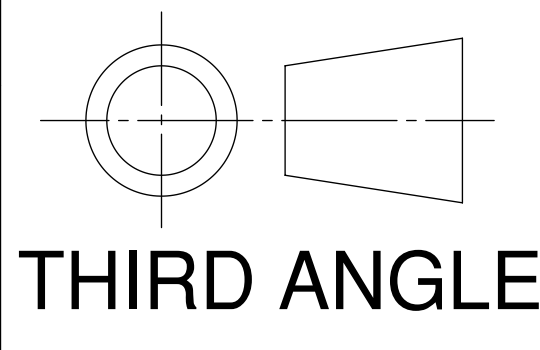
|               |                            |           |
|---------------|----------------------------|-----------|
| REV. A        | ISSUED FOR CONSTRUCTION/DN | 6/04/2016 |
| SERIAL NUMBER | AMENDMENT                  | DATE      |
| BY: CHK/APP   |                            |           |

NOTES:

|          | DATE       | NAME   |
|----------|------------|--------|
| APPROVED |            |        |
| CHECKED  |            |        |
| DRAWN    | 13/10/2017 | Rajdev |

DO NOT SCALE DRAWING

SCALE: 1:5

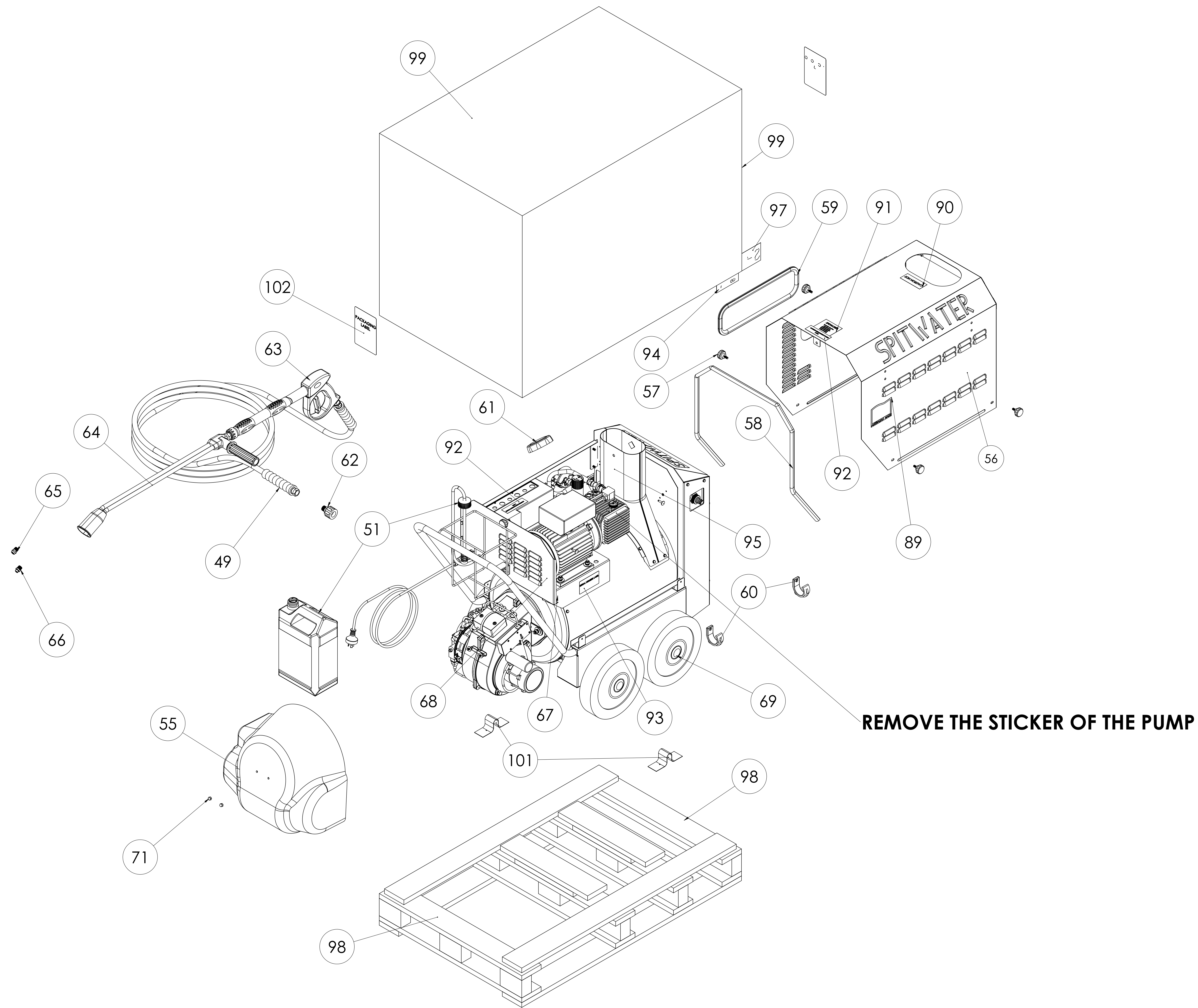


**SPITWATER AUSTRALIA**

HEAD OFFICE AND MANUFACTURING PLANT  
 953 METRY STREET, ALBURY,  
 NSW 2640, AUSTRALIA  
 PH. 02 60257255 FAX. 02 60401187  
 E-MAIL: enquiries@spitwater.com  
 WEB SITE: www.spitwater.com

|  |                          |
|--|--------------------------|
| DESCRIPTION:<br>10-120H 1800PSI 10L/M 3HP 1PH 240/50 | PART No.<br><b>SLD09</b> |
| MATERIAL:  | QTY: -                   |
| TIME OF PRODUCTION:                                  | ATOT:<br>FINISH:         |
|  | <b>SHEET 2 OF 3</b>      |





**REMOVE THE STICKER OF THE PUMP**

|          | DATE       | NAME   |
|----------|------------|--------|
| APPROVED |            |        |
| CHECKED  |            |        |
| DRAWN    | 13/10/2017 | Rajdev |

SCALE:  
1:10



HEAD OFFICE AND MANUFACTURING PLANT  
 953 METRY STREET, ALBURY,  
 NSW 2640, AUSTRALIA  
 PH. 02 60257255 FAX. 02 60401187  
 E-MAIL: enquiries@spitwater.com  
 WEB SITE: www.spitwater.com

DESCRIPTION:  
10-120H 1800PSI 10L/M 3HP 1PH 240/50

PART No.  
**SLD09**

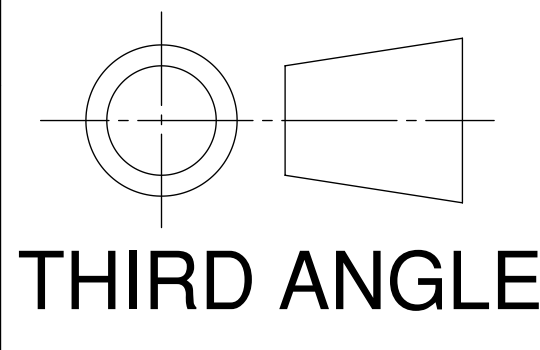
MATERIAL:

QTY: -

TIME OF PRODUCTION:  
ATOT:-  
FINISH:

**SHEET 3 OF 3**

DO NOT SCALE DRAWING



| REV. | SERIAL NUMBER | ISSUED FOR CONSTRUCTION/DN | AMENDMENT | BY: CHK/APP | DATE      |
|------|---------------|----------------------------|-----------|-------------|-----------|
| A    |               |                            |           |             | 6/04/2016 |

NOTES: