

MS 251 C-BE Z

Spare Parts List
12/15/2023
Australia, English

Quick chain tensioner

ErgoStart/Easy2Start

Muffler with spark arrestor

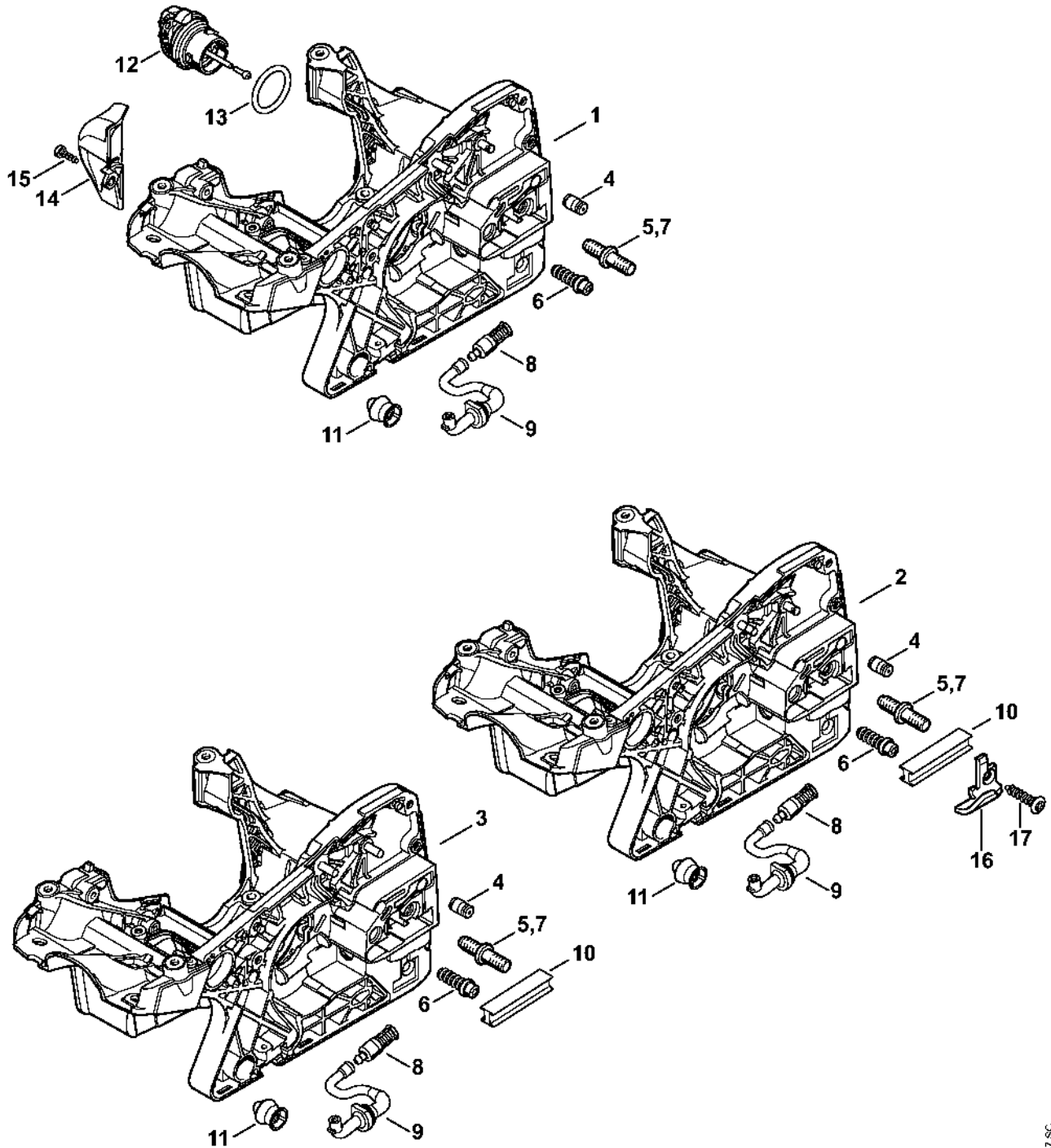
Contents

Motor housing	3	Installing sleeve	52
Cylinder	5	Sealing plate	54
Muffler	7	Socket, T27x125	56
Oil pump, Clutch	9	Hose 135 mm / 5 5/16"	58
Chain brake	11	Setting gauge	60
Chain tensioner, Chain sprocket cover	13	Installing tool	62
Ignition system, Wiring harness	15	Assembly tube	64
Rewind starter, Hand guard	17	Flange	66
Tank housing	19	Assembly hook	68
AV system, Handlebar	21	Stud puller, M8	70
Shroud, Air baffle	23	Assembly hook	72
Carburetor bracket, Air filter	25	Ignition system tester, ZAT 3	74
Carburetor	27	Press sleeve	76
Carburetor WTF-2, WTF-4, WTF-8, WTF-9 (54.2013)	30	Ignition system tester, ZAT 4	78
Throttle control	32	Puller	80
Tools, Extras	34	Setting disk	82
2-in-1 laser	36	Torque wrench with optical/acoustic signal	84
Serial number	38	Torque wrench with optical/acoustic signal	86
Smart Connector	40	Jaw (profile No. 3.1 and 4)	88
Miscellaneous lubricants and greases	42	Jaw (profile No. 6)	90
Nipple	44	Assembly stand	92
Installing tool	46	Sleeve	94
Wooden assembly block	48	Installing tool, 10	96
Assembly drift	50	Puller	98
		Puller	100

Contents

Installing sleeve	102
Flange	104
Screwdriver	106
Punchdown tool	108
Locking strip	110
Cover	112
Nipple	114
Pump	116
Stud puller, M8-7,5	118
Support	120
Screwdriver, T27x150	122
Socket, 8 mm, long reach	124
Setting gauge	126
Puller	128
Puller	130
Puller	132
Screwdriver, T8	134
Installing tool AS	136
Installing tool LS	138

Motor housing

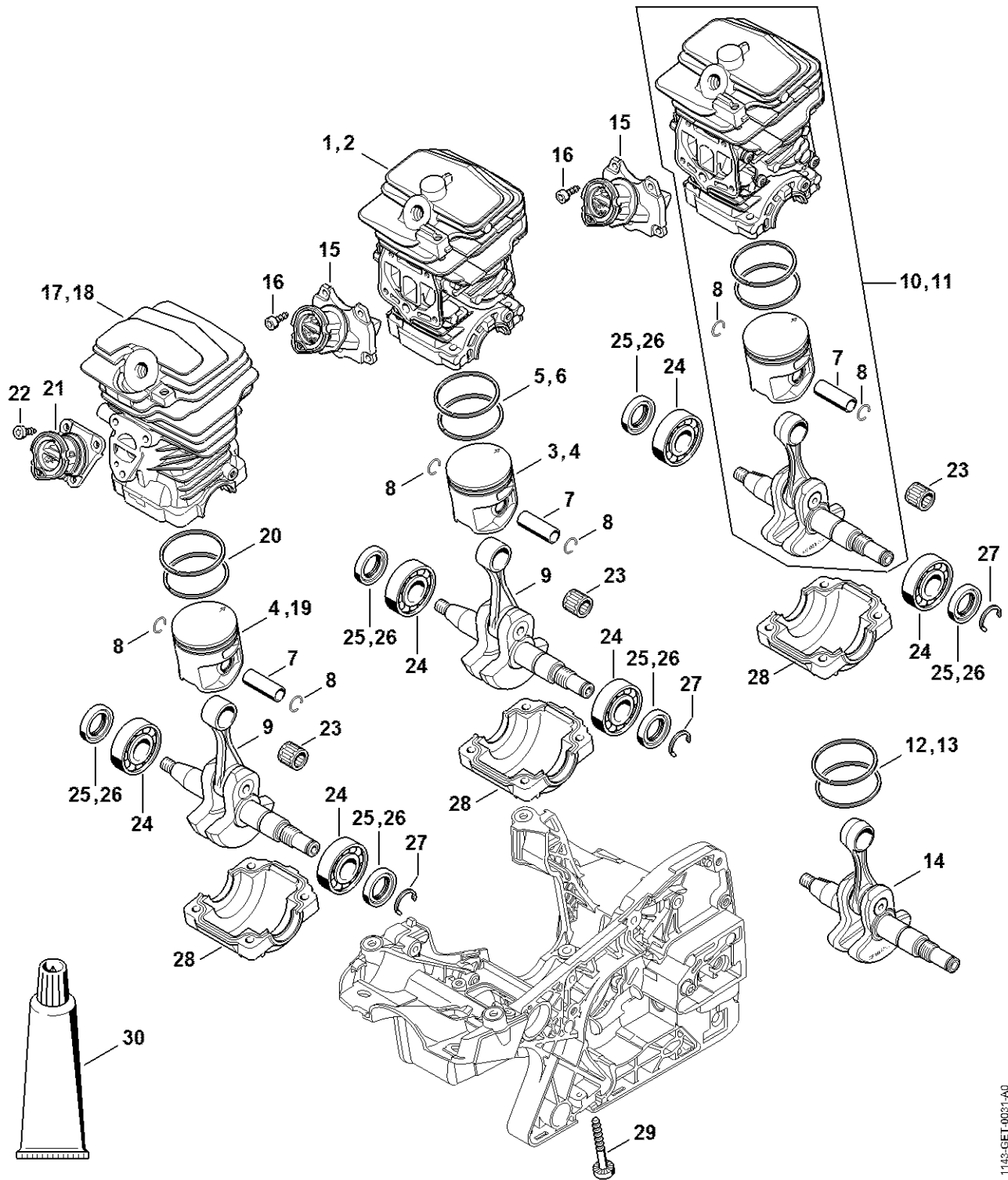


2510ET037 SC

Motor housing

#	Part Number	Description	Quantity	Contains Item(s)	Remarks
2	1143 020 3025	Engine housing	1	4 - 6, 8 - 10, 12, 13, 15	
4	1128 640 9100	Valve	1		
5	1123 664 2400	Collar screw	1		
6	1143 664 2401	Collar screw	1		
7	1123 664 2405	Collar screw D9/M8	1		
8	1123 640 3800	Pickup body	1		
9	1143 647 9401	Hose	1		
10	1123 021 2800	Insert	1		
11	1143 791 5900	Stop buffer	1		
12	0000 350 0537	Oil filler cap	1	13	
13	9645 948 2470	O-ring 23x3	1		
14	1143 140 7800	Pre-separator	1		
15	9074 477 2995	Pan head self-tapping screw IS-P4x12	1		
16	0000 656 7700	Chain catcher	1		
17	9074 477 4438	Pan head self-tapping screw IS-P6x30	1		

Cylinder

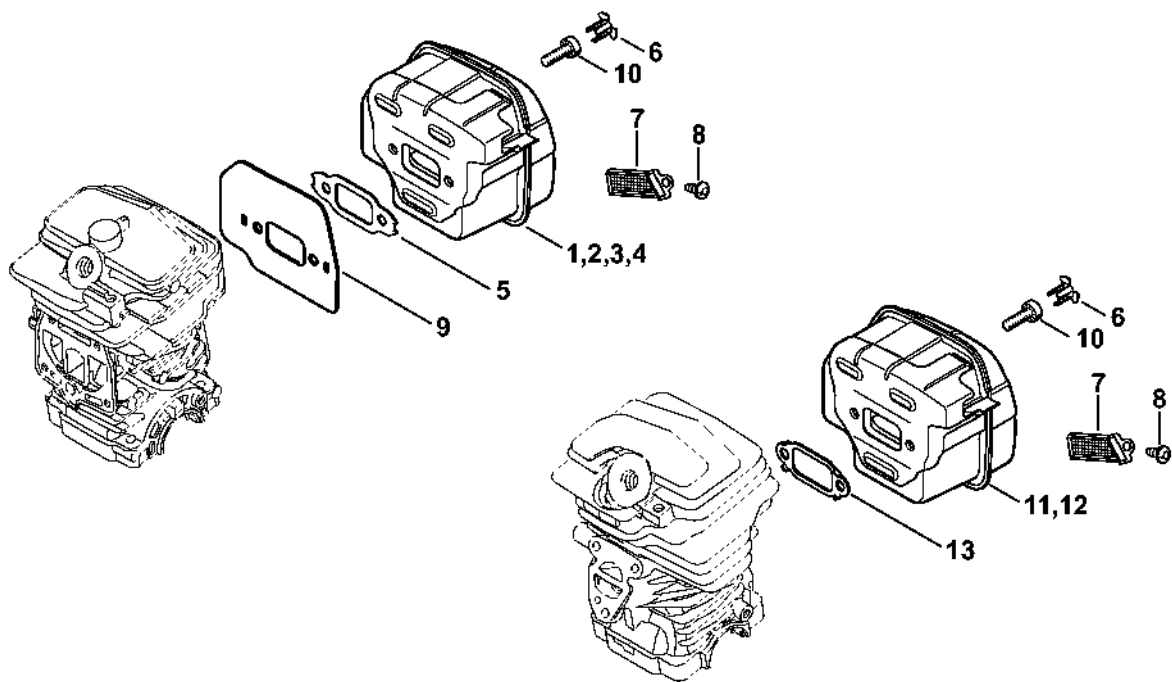


1143-GET-0031-A0

Cylinder

#	Part Number	Description	Quantity	Contains Item(s)	Remarks
2	1143 020 1207	Cylinder with piston Ø 44 mm	1	4, 6 - 8, 29	
4	1143 030 2007	Piston Ø 44 mm	1	6 - 8	
6	1143 034 3007	Piston ring Ø 44x1.2 mm	2		
7	1143 034 1500	Piston pin 10x8x27.88	1		
8	9463 650 1000	Snap ring 10	2		
9	1143 030 0401	Crankshaft	1		
15	1143 140 2501	Manifold	1		
16	9075 478 3012	Pan head self-tapping screw IS-D4x12	4		
21	1143 140 2500	Manifold	1		
22	9075 478 3012	Pan head self-tapping screw IS-D4x12	3		
23	9512 003 2331	Needle cage 10x14x12.5	1		
24	9503 003 0340	Grooved ball bearing 6202	2		
25	9639 951 1584	Oil seal 15x25x5	2		
26	9638 003 1581	Oil seal 15x25x5	2		
27	9468 621 1520	Circlip 15x1	1		
28	1143 021 2502	Engine pan	1		
29	9075 478 4197	Pan head self-tapping screw IS-D5.3x43	4		
30	0783 830 2000	Sealant, Dirko HT red	1		

Muffler

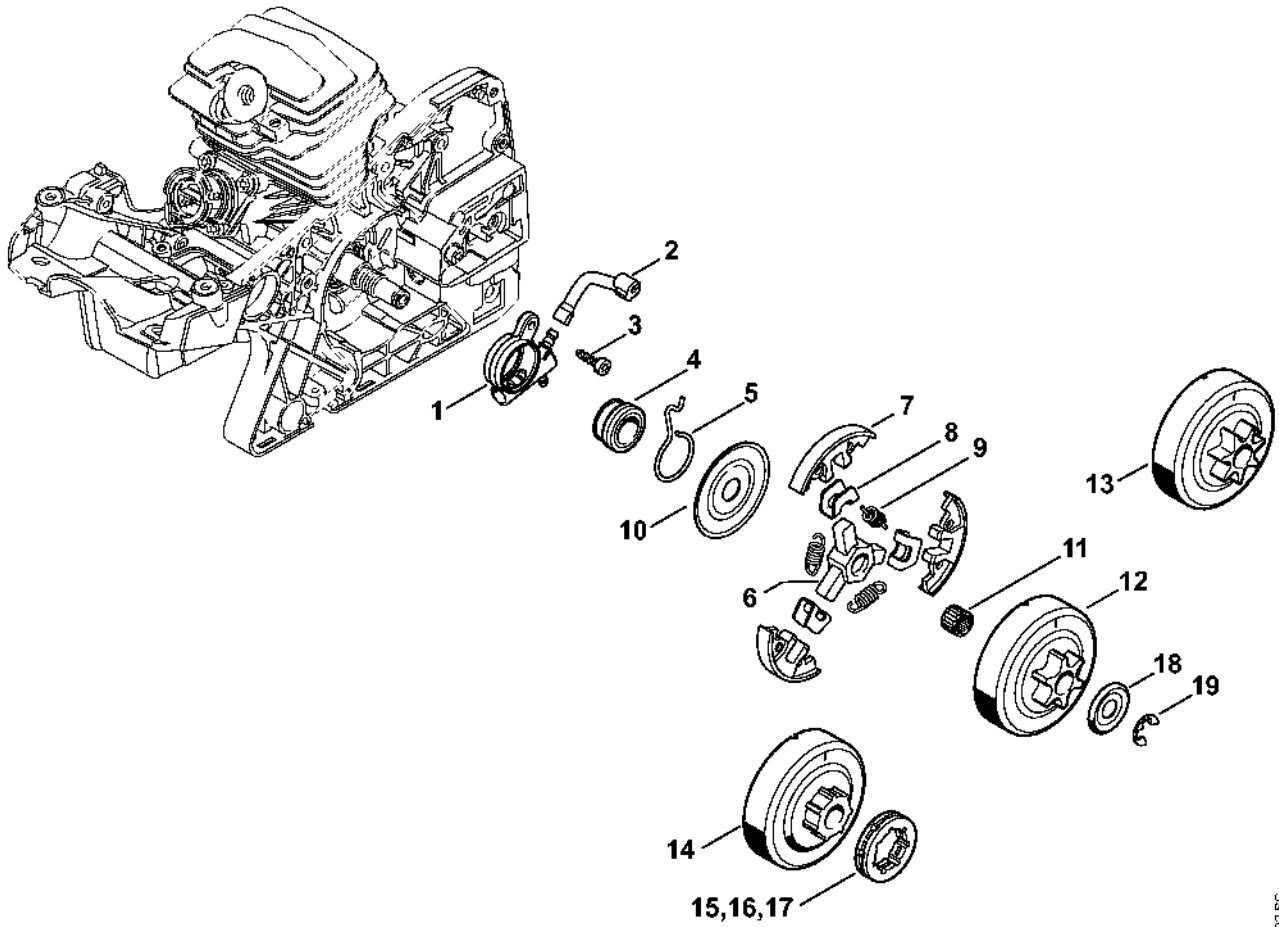


1143-GET-0008-A0

Muffler

#	Part Number	Description	Quantity	Contains Item(s)	Remarks
4	1143 140 0671	Muffler	1	5 - 8	USA, CDN, AUS, NZ
5	1143 149 0603	Muffler gasket	1		
6	1135 145 9002	Plug	2		
7	1143 140 8103	Spark arresting screen	1		USA, CDN, AUS, NZ
8	9039 475 0656	Self-tapping screw M4x9.6	1		USA, CDN, AUS, NZ
10	9022 341 0983	Spline screw IS-M5x16	2		
13	1143 149 0601	Muffler gasket	1		

Oil pump, Clutch

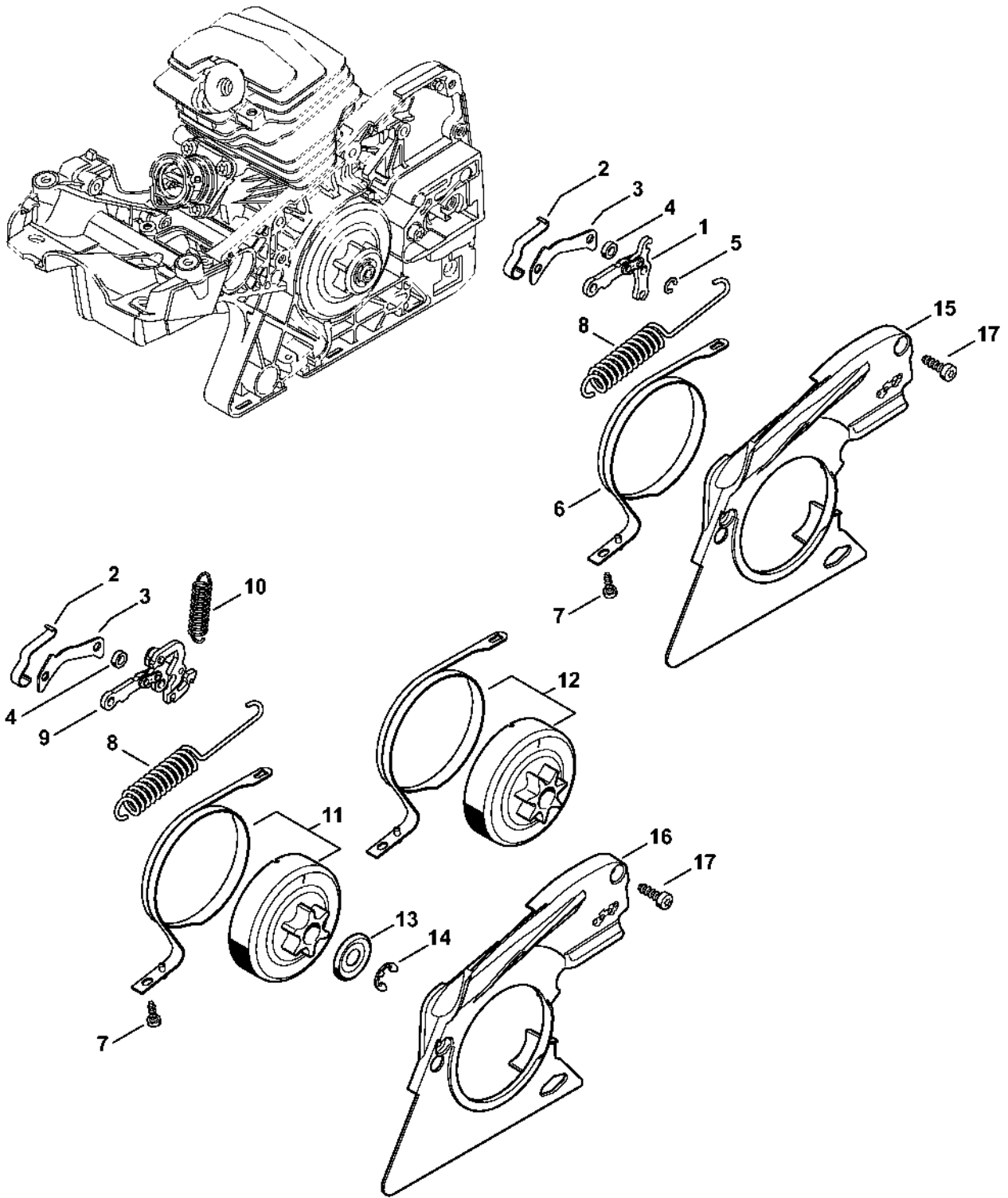


2310E1002 SC

Oil pump, Clutch

#	Part Number	Description	Quantity	Contains Item(s)	Remarks
1	1143 640 3201	Oil pump	1		
2	1143 647 9403	Hose	1		
3	9075 478 3016	Pan head self-tapping screw IS-D4x16	2		
4	1123 640 7102	Worm gear	1	5	
5	1123 647 2400	Spring	1		
	1123 160 2050	Clutch	1	6 - 10	
6	1121 162 3201	Carrier	1		
7	1129 162 0800	Clutch shoe	3		
8	1127 162 3000	Retainer	3		
9	0000 997 5515	Tension spring	3		
10	1121 162 1001	Cover washer	1		
11	9512 933 2260	Needle cage 10x13x10	1		
13	1143 640 2002	Chain sprocket 0.325" 7T	1		
	1143 007 1003	Rim sprocket kit 0.325" 7T	1	14, 16, 18, 19	
16	0000 642 1236	Rim sprocket 0.325" 7T	1		
18	0000 958 1022	Washer Ø 27 mm	1		
19	9460 624 0801	E-clip 8x1,3	1		

Chain brake

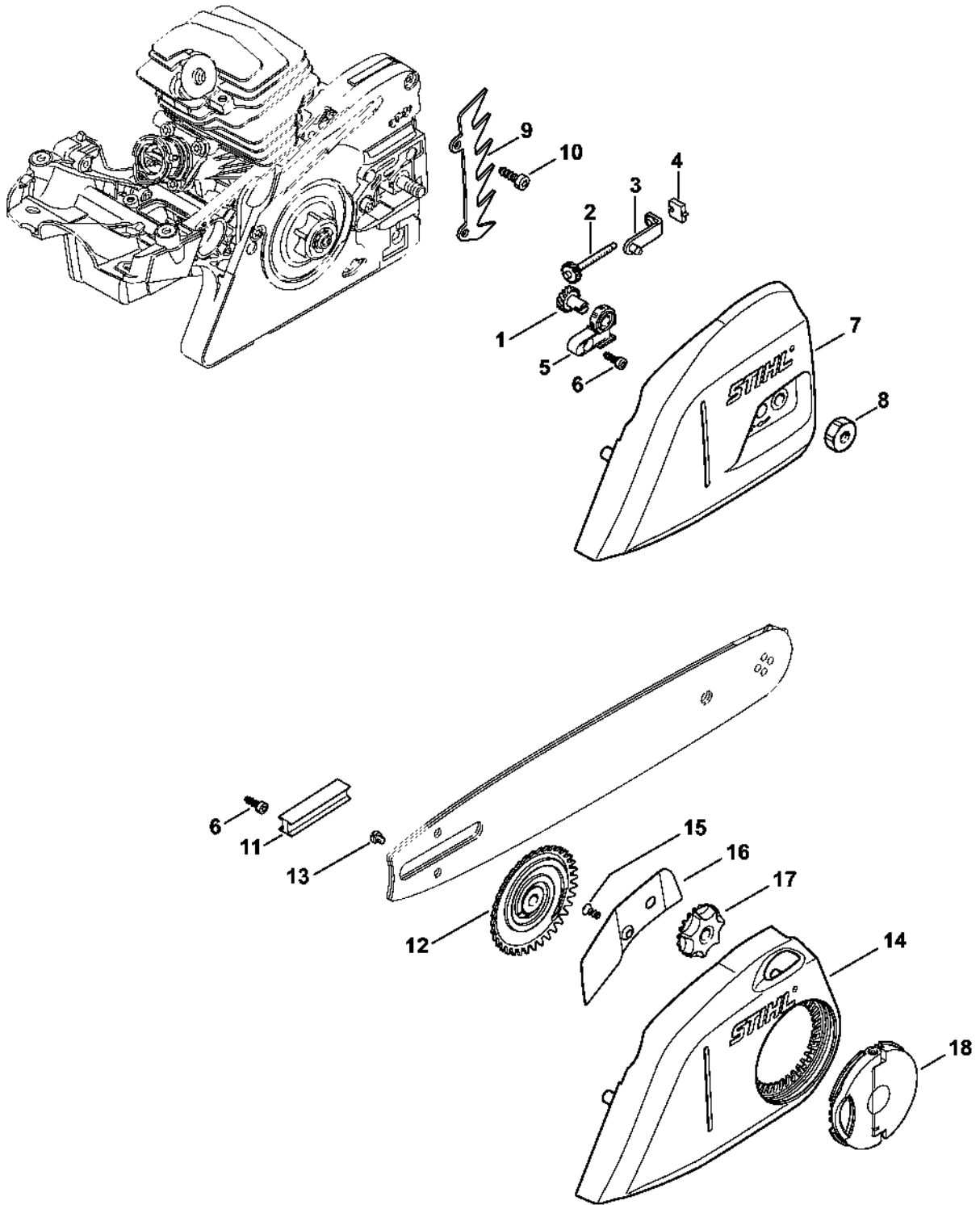


2510ET032 SC

Chain brake

#	Part Number	Description	Quantity	Contains Item(s)	Remarks
1	1138 160 5000	Lever	1		
2	1123 162 7800	Flat spring	1		
3	1143 162 5802	Strap	1		
4	0000 958 0521	Washer	1		
5	9460 624 0400	E-clip 4	1		
6	1143 160 5401	Brake band	1		
7	9074 477 2995	Pan head self-tapping screw IS-P4x12	1		
8	1143 162 7901	Tension spring	1		
15	1143 021 1101	Cover	1		
16	1143 021 1101	Cover	1		
17	9074 477 4132	Pan head self-tapping screw IS-P5x18	2		

Chain tensioner, Chain sprocket cover

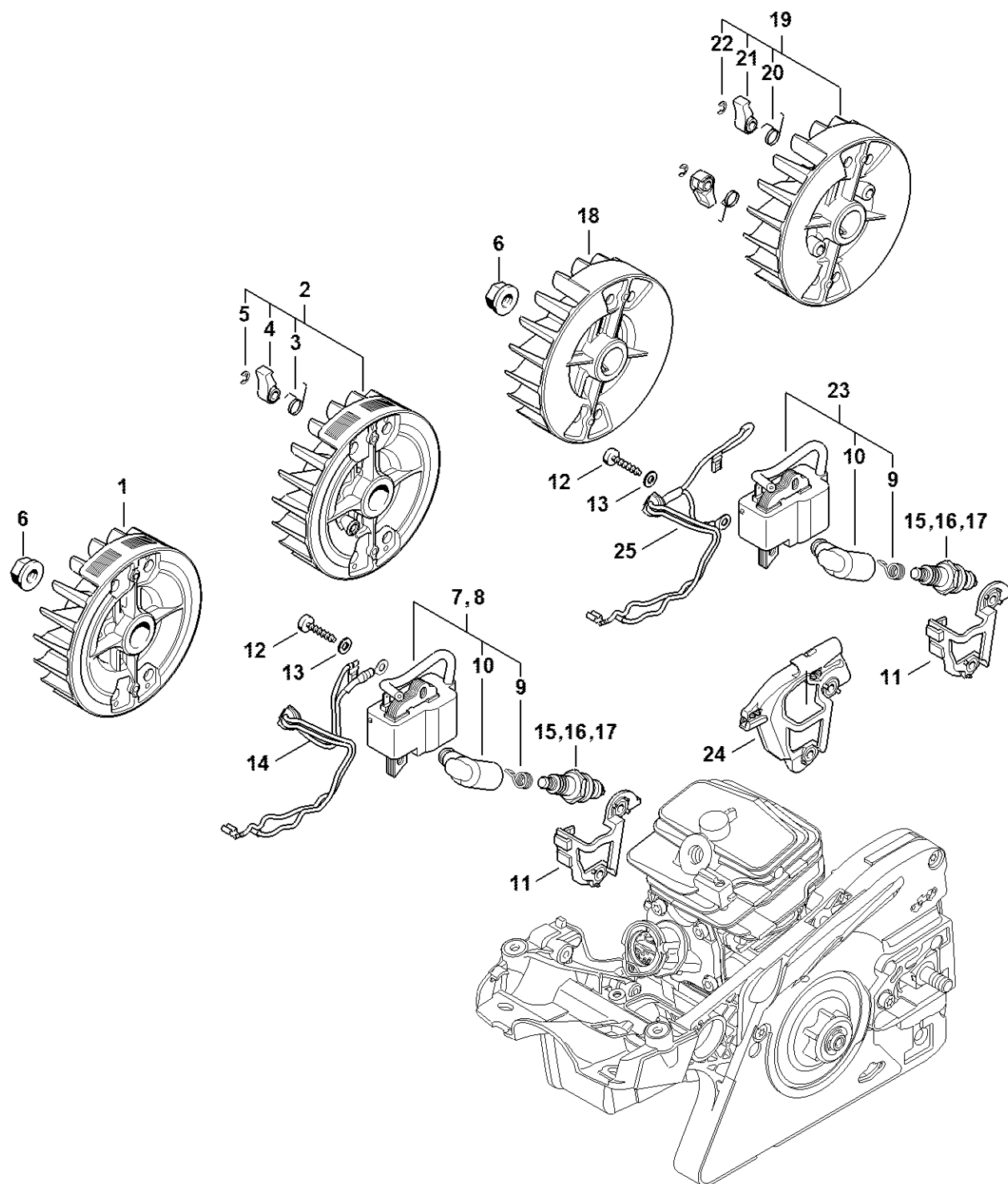


2310ET012 SC

Chain tensioner, Chain sprocket cover

#	Part Number	Description	Quantity	Contains Item(s)	Remarks
6	9074 477 2995	Pan head self-tapping screw IS-P4x12	1		
9	1143 664 0500	Bumper spike	1		
10	9074 477 4130	Screw IS P5x16	2		
	1143 007 1005	Quick tensioner parts	1	6, 11 - 18	
11	1123 021 2800	Insert	1		
12	1123 660 3001	Tensioning gear	1	13	
13	9041 319 0600	Pan head screw M4x5	1		
14	1143 640 1731	Chain sprocket cover	1	15 - 17	
15	9076 478 2996	Pan head self-tapping screw P4x12	1		
16	1139 648 3800	Cover plate	1		
17	1123 648 2202	Adjusting wheel	1		
18	1121 660 1000	Wing nut	1		

Ignition system, Wiring harness

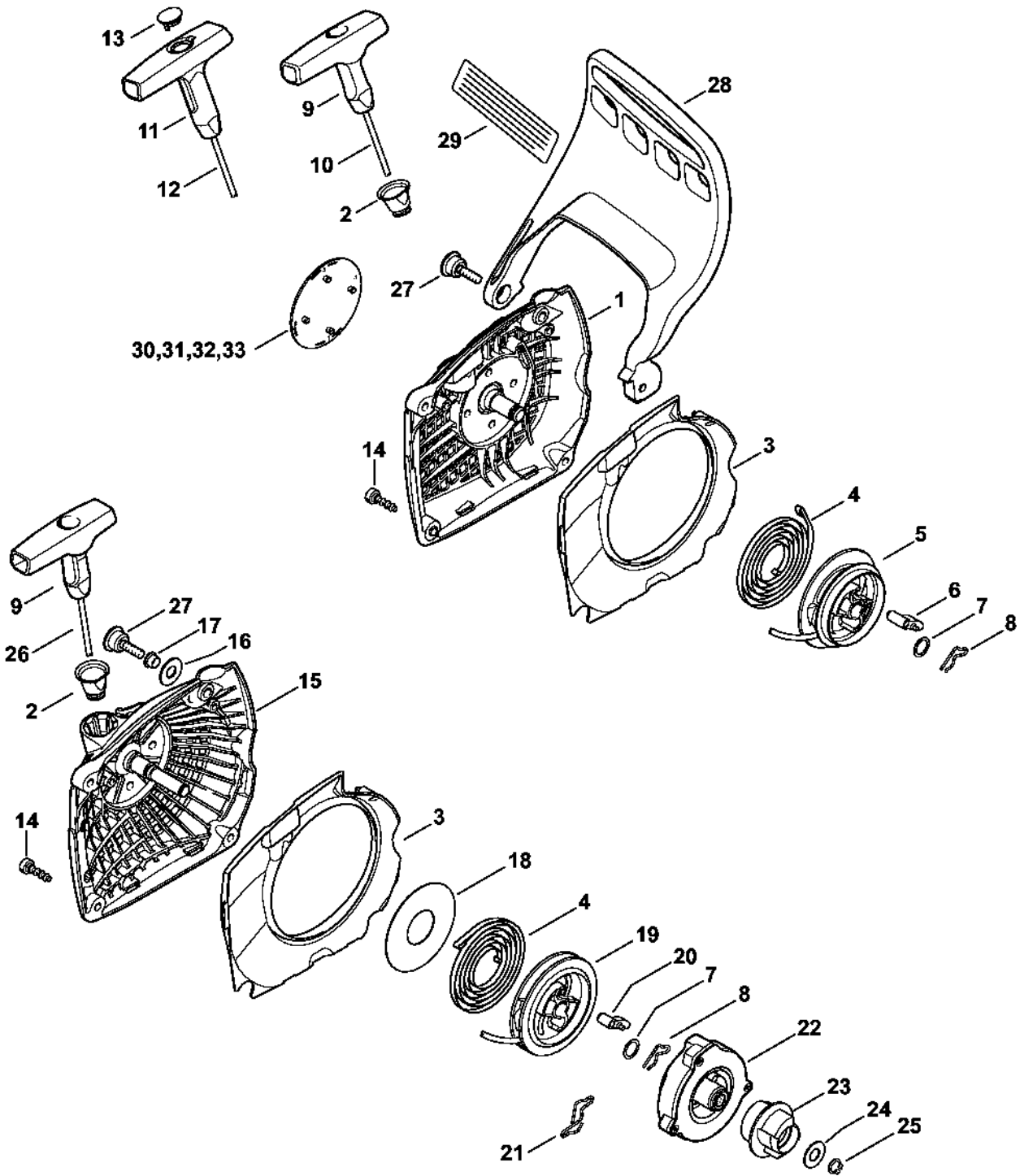


1143-GET-0033-A0

Ignition system, Wiring harness

#	Part Number	Description	Quantity	Contains Item(s)	Remarks
2	1143 400 1235	Flywheel	1	3 - 5	
3	0000 998 1100	Torsion spring	1		
4	1139 195 7200	Pawl	1		
5	9460 624 0320	E-clip 3.2	1		
6	0000 955 0802	Collar nut M8x1	1		
7	1143 400 1315	Ignition module	1	9, 10	
9	0000 998 0604	Spark plug contact spring	1		
10	0000 405 1007	Spark plug boot	1		
11	1143 440 3503	Lead retainer	1		
12	9075 478 3022	Pan head self-tapping screw IS-D4x20	2		
13	9291 021 0100	Washer 4.3	2		
14	1143 440 3013	Wiring harness	1		
15	0000 400 7011	Spark plug NGK CMR6H	1		
23	1143 400 1307	Ignition module	1	9, 10	
24	1143 440 3501	Lead retainer	1		
25	1143 440 3001	Wiring harness	1		

Rewind starter, Hand guard

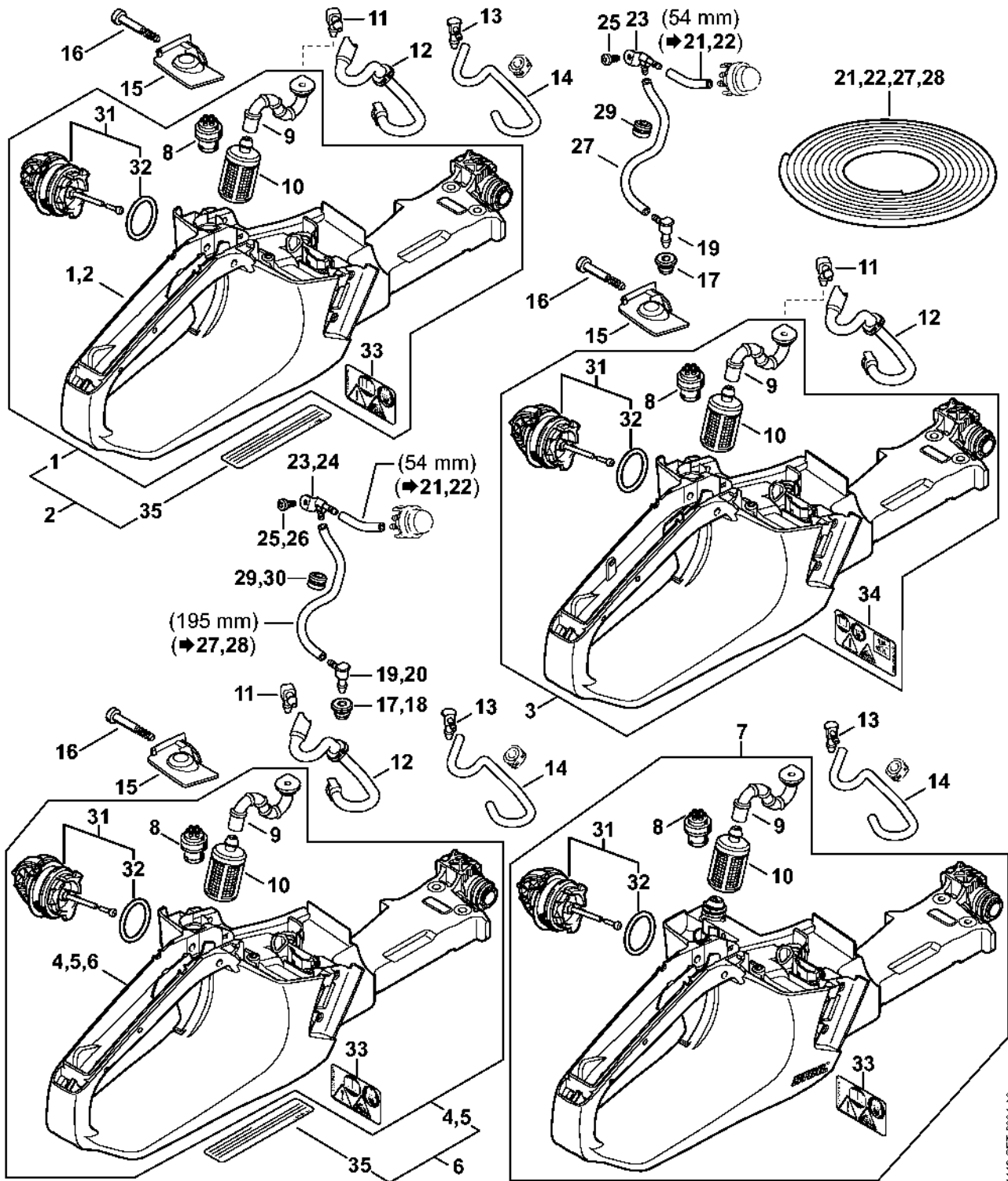


2310ETD15 SC

Rewind starter, Hand guard

#	Part Number	Description	Quantity	Contains Item(s)	Remarks
2	1110 084 9102	Bushing	1		
3	1143 084 7801	Segment	1		
4	1143 190 0600	Rewind spring	1		
7	0000 958 0923	Washer	1		
8	1118 195 3500	Spring	1		
9	1121 195 3400	Starter grip	1		
14	9074 477 4132	Pan head self-tapping screw IS-P5x18	3		
	1143 080 2133	Fan housing with rewind starter	1	2 - 4, 7 - 9, 15 - 20, 22 - 26	
15	1143 080 1833	Fan housing	1	2, 16, 17	
16	0000 958 0607	Washer	1		
17	9416 868 6610	Hollow rivet 6.5x0.5x5.8	1		
18	1143 195 9030	Washer	1		
19	1123 195 0401	Rope rotor	1		
20	1123 195 7200	Pawl	1		
21	1128 195 3500	Spring	1		
22	1143 190 0731	Spring housing	1		
23	1143 195 2030	Carrier	1		
24	0000 958 0810	Washer	1		
25	9455 621 0570	Circlip 8x0.8	1		
26	4137 195 8200	Starter rope Ø 2.7x910 mm	1		
27	1141 790 6101	Screw assy.	1		
28	1143 792 9103	Hand guard	1		

Tank housing

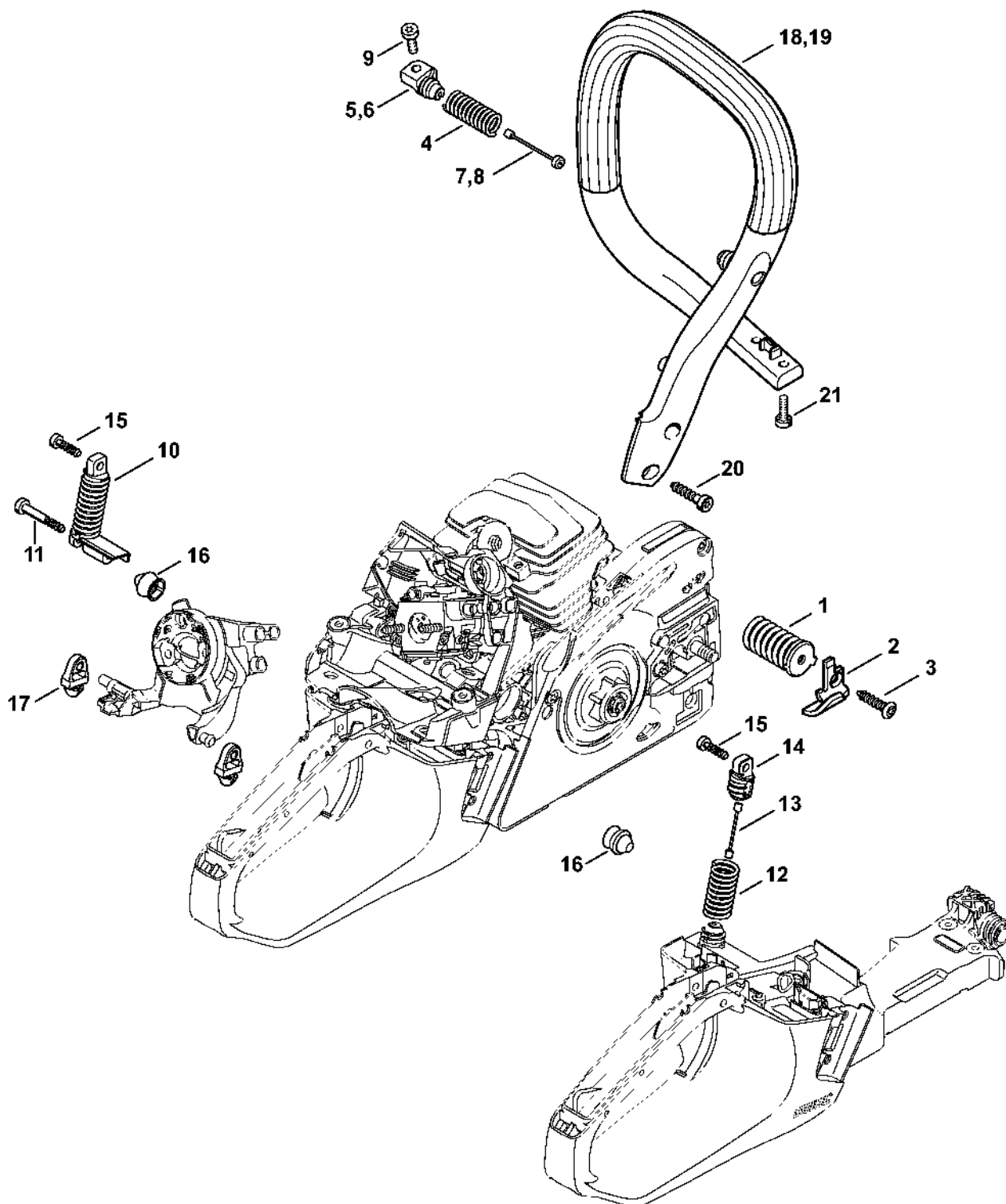


1143-GET-0024-A0

Tank housing

#	Part Number	Description	Quantity	Contains Item(s)	Remarks
5	1143 350 0833	Tank housing	1	8 - 10, 17, 31 - 33	S
8	0000 350 5800	Tank vent	1		
9	1143 358 7700	Hose	1		
10	0000 350 3518	Pickup body	1		
11	4224 122 3900	Elbow connector	1		
12	1143 358 7702	Hose	1		
13	4242 353 2600	Elbow connector	1		
14	1143 937 5000	Hose 154 mm	1		
17	1141 989 0600	Grommet	1		
31	0000 350 0533	Filler cap	1	32	
32	9645 948 7734	O-ring 25x3.5	1		
33	0000 967 7247	Warning pictogram MS	1		

AV system, Handlebar

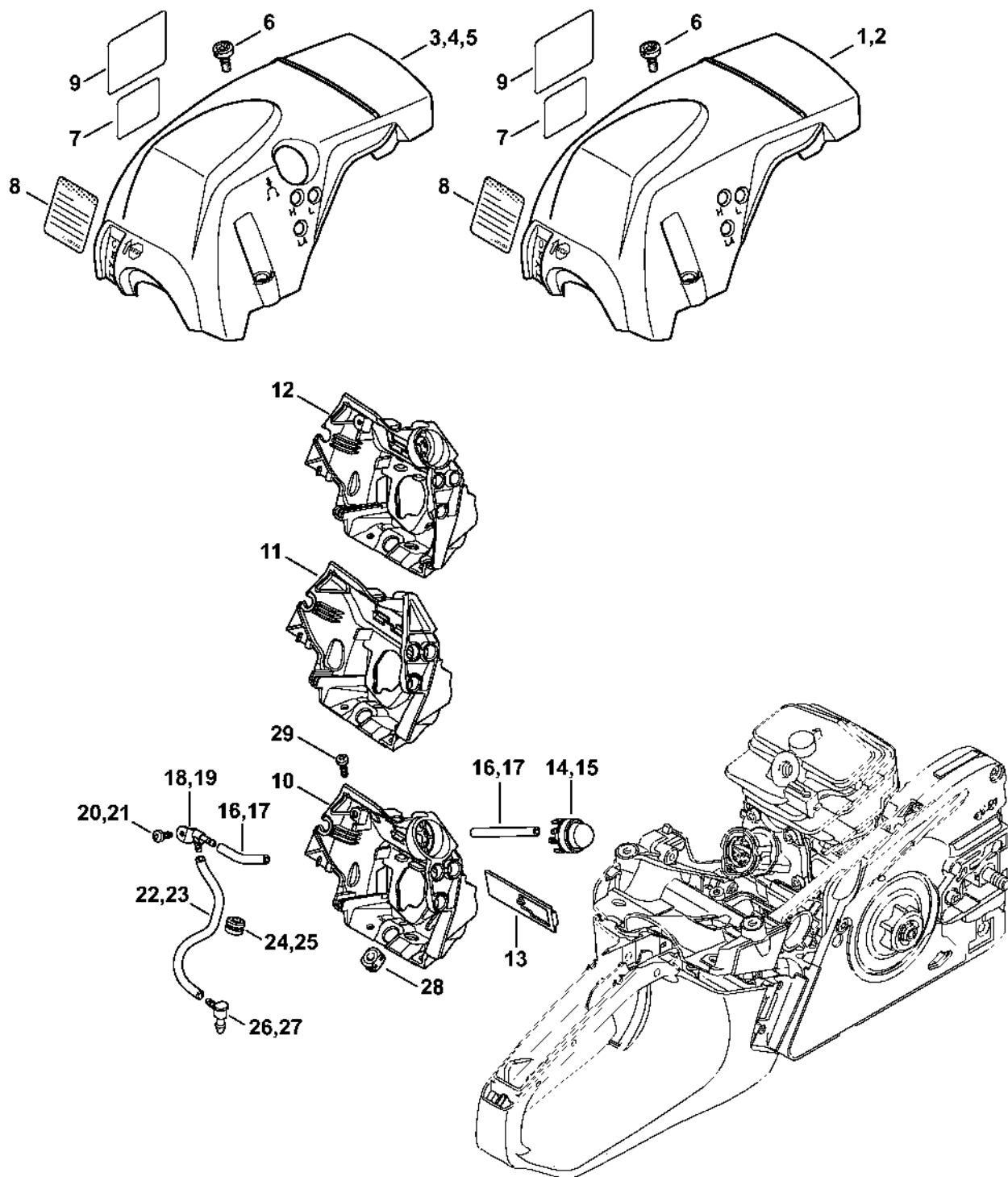


1143-GET-0027-A0

AV system, Handlebar

#	Part Number	Description	Quantity	Contains Item(s)	Remarks
1	1143 790 8302	AV-Spring	1		
2	0000 656 7700	Chain catcher	1		
3	9074 477 4438	Pan head self-tapping screw IS-P6x30	1		
4	1141 791 3102	Spring	1		
5	1141 792 2910	AV mount	1		
7	1135 790 8100	Retainer	1		Only in conjunction with 1143-020-1205 + 1143-020-1207
8	1143 790 8104	Retainer	1		Only in conjunction with 1143-020-1201 + 1143-020-1203
9	9075 478 4085	Pan head self-tapping screw IS-D5x18	1		
10	1143 790 8301	AV-Spring	1		
11	9074 477 4148	Pan head self-tapping screw IS-P5x34	1		
15	9074 477 4132	Pan head self-tapping screw IS-P5x18	1		
16	1143 791 5900	Stop buffer	2		
17	1141 122 9902	Buffer	2		
19	1143 791 1736	Handlebar	1		
20	9074 478 4545	Spline screw IS-P6x26,5	2		
21	9022 341 0983	Spline screw IS-M5x16	2		

Shroud, Air baffle

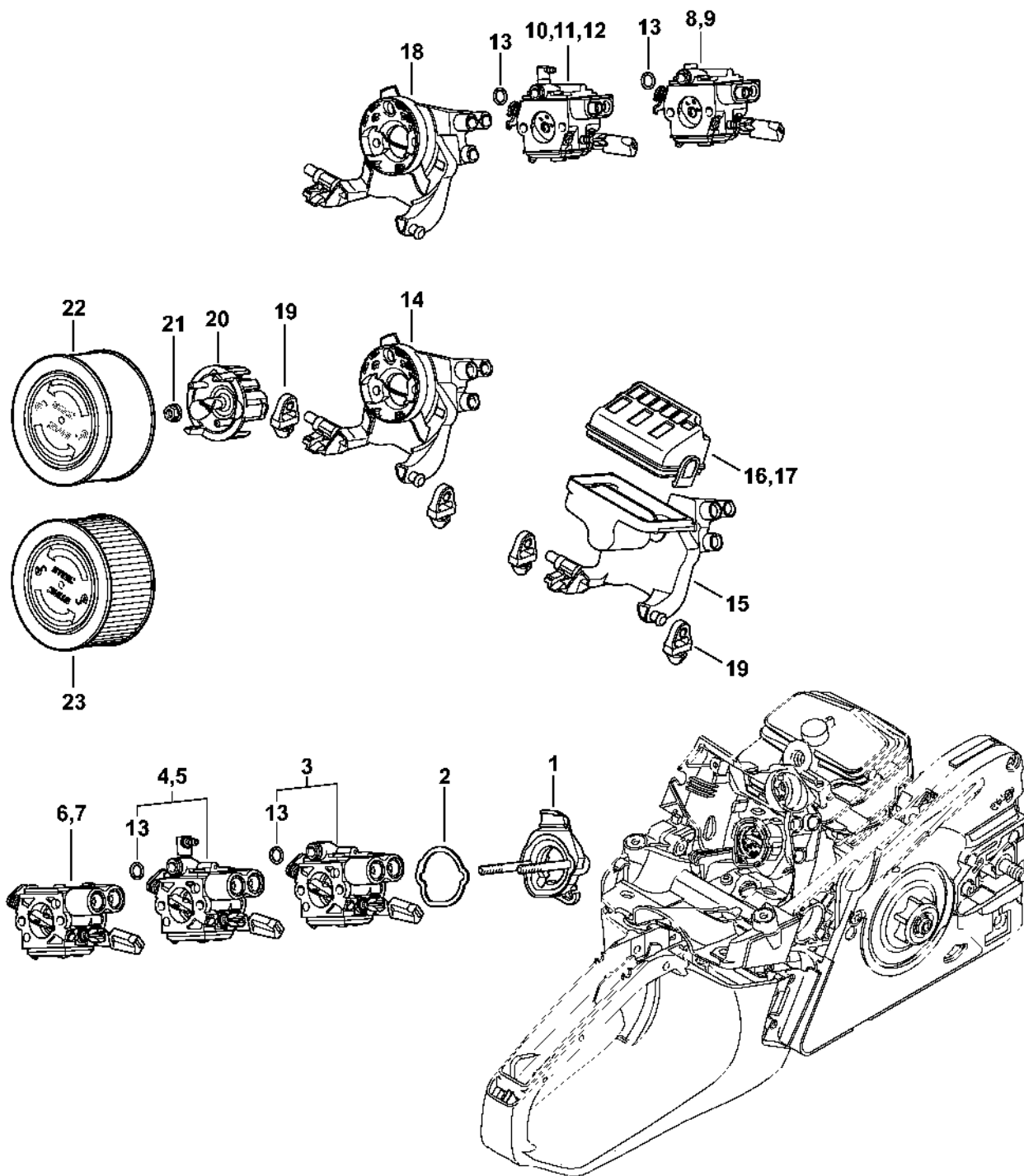


1143-GET-0004-A0

Shroud, Air baffle

#	Part Number	Description	Quantity	Contains Item(s)	Remarks
3	1143 080 1631	Shroud	1	6	
6	9022 319 1028	Screw IS-M5x14	3		
10	1143 087 3003	Air guide shroud	1		
13	1143 084 4100	Shutter	1		
14	1143 350 6200	Fuel pump	1		
16		Hose 2.2x5.4x54 mm, R5	2		
	0000 937 5006	Hose 2.2x5.4 mm x 1 m, R5	1		
18	1143 353 2601	Elbow connector	1		
20	9074 478 2970	Pan head self-tapping screw IS-P4x10	1		
22		Hose 2.2x5.4x196 mm, R1	1		
	0000 930 2802	Hose 2.2x5.4 mm x 1 m, R1	1		
24	0000 989 0816	Grommet	1		
26	4242 353 2600	Elbow connector	1		
28	1143 989 0600	Grommet	1		USA, CDN
29	9074 477 2995	Pan head self-tapping screw IS-P4x12	2		

Carburetor bracket, Air filter

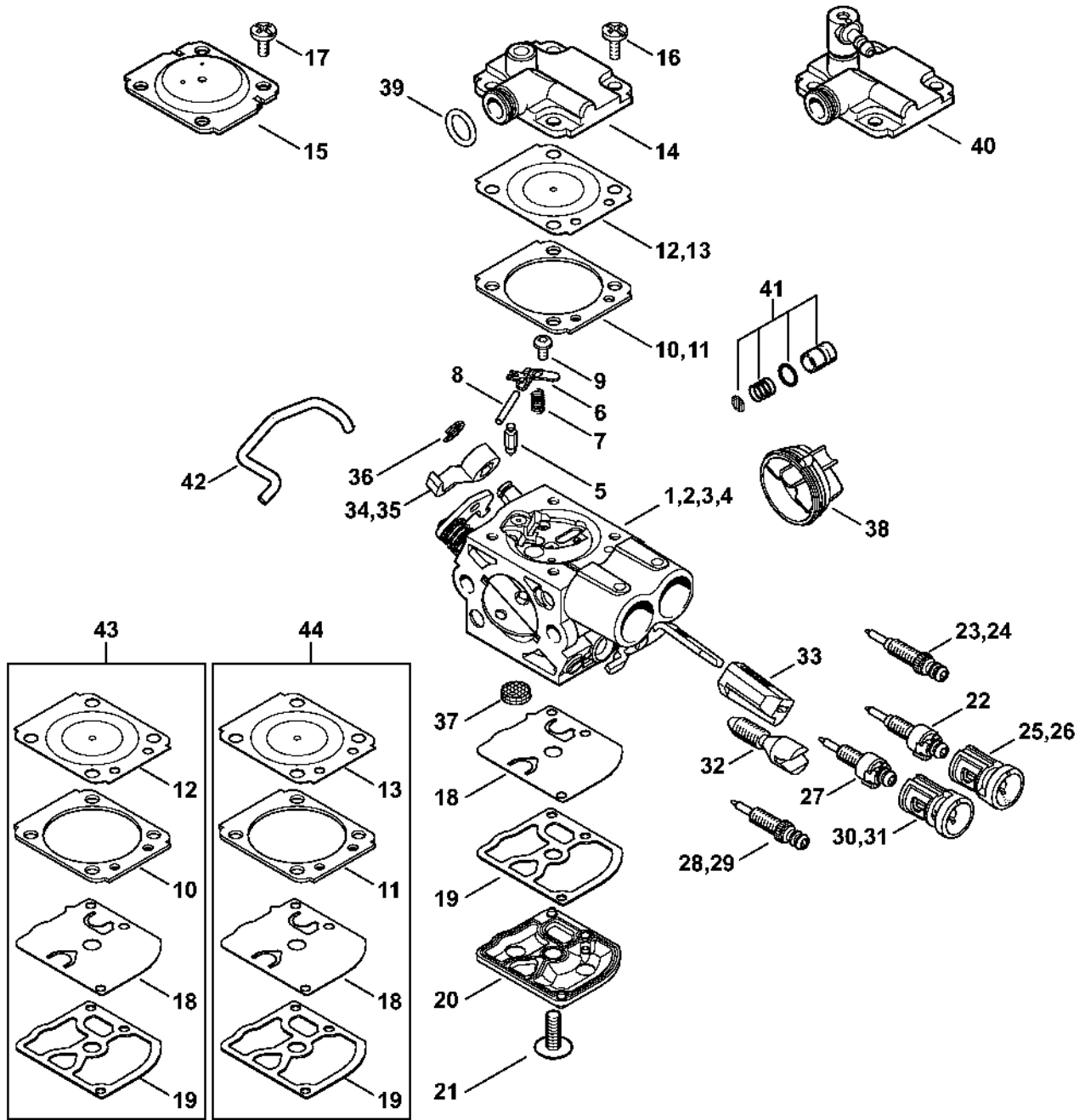


1143-GET-002S-A0

Carburetor bracket, Air filter

#	Part Number	Description	Quantity	Contains Item(s)	Remarks
1	1143 120 0901	Carburetor bracket	1		
2	1141 121 8600	Washer	1		
4	1143 120 0641	Carburetor 1143/39	1	13	
13	9646 945 0490	O-ring 7x1.5	1		
14	1143 141 0903	Filter base	1		
19	1141 122 9902	Buffer	2		
20	1143 121 6900	Baffle	1		
21	9216 261 0700	Hexagon nut M5	2		
23	1141 140 4400	Air filter HD2	1		AUS, NZ

Carburetor



1143-GET-0015-A1

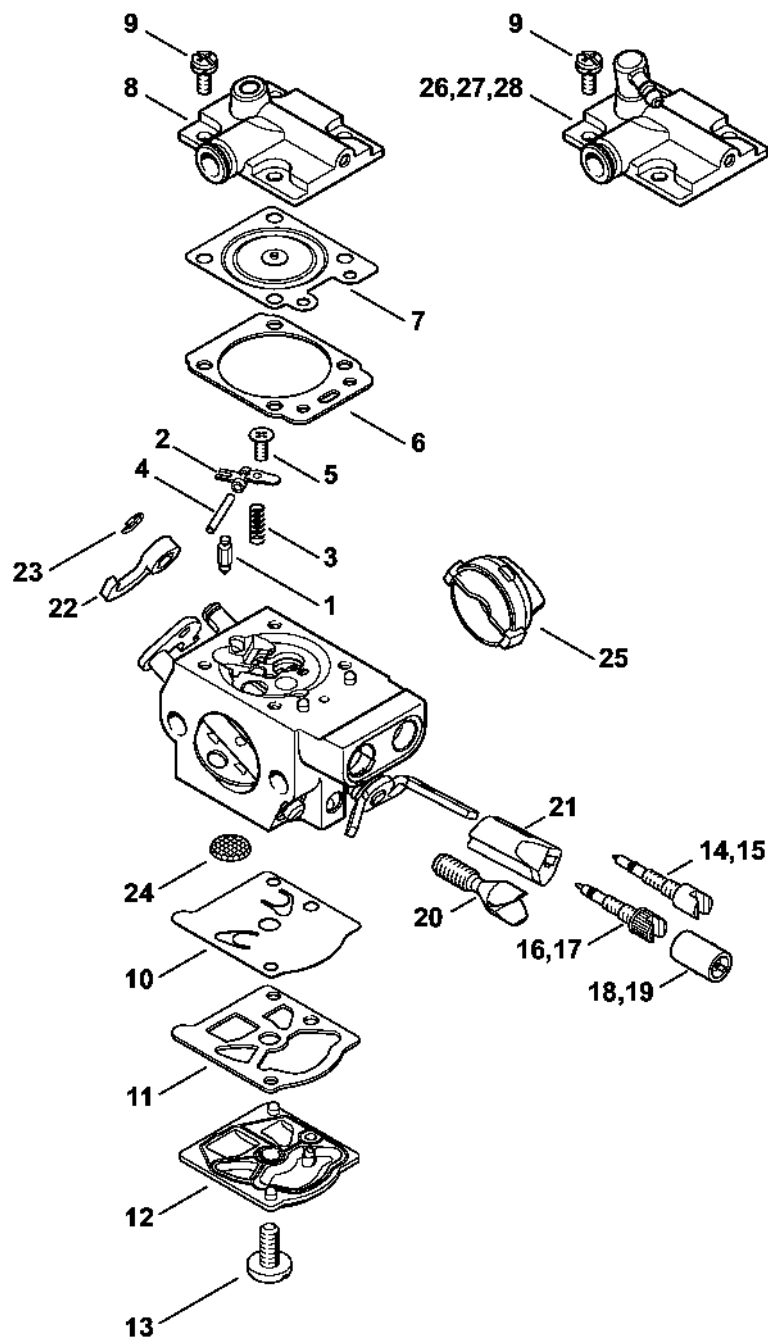
Carburetor

#	Part Number	Description	Quantity	Contains Item(s)	Remarks
2	1143 120 0641	Carburetor 1143/39	1	5 - 10, 12, 16, 18 - 22, 25, 27, 30, 32 - 34, 36 - 43	
5	Z000 018 Z000	Inlet needle	1		
6	1125 121 5000	Inlet control lever	1		
7	1129 122 3001	Spring	1		
8	1120 121 9200	Spindle	1		
9	0000 122 7101	Screw	1		
10	1145 129 0900	Metering gasket	1		
12	1143 121 4702	Metering diaphragm	1		
16	1120 122 6601	Collar screw	4		
18	1129 121 4800	Pump diaphragm	1		
19	1123 129 0905	Pump gasket	1		
20	1139 121 0800	End cover	1		
21	1120 122 7800	Oval head screw	1		
22	1141 120 6800	Low speed screw	1	25	
25	0000 121 2704	Cap	1		
27	1143 122 6703	High speed screw	1		
30	1141 121 2704	Cap	1		
32	1143 122 6203	Idle speed screw	1		
33	1143 121 2707	Cap	1		
34	1143 121 3503	Throttle lever	1		
36	1125 122 9001	E-clip	1		
37	1123 121 7800	Strainer	1		
38	1143 121 9405	Ring	1		
39	9646 945 0490	O-ring 7x1.5	1		
40	1143 126 0705	Metering cover	1		
41	1143 120 9701	Pump piston kit	1		

Carburetor

#	Part Number	Description	Quantity	Contains Item(s)	Remarks
42	1143 185 1903	Choke rod	1		
43	1143 007 1703	Set of carburetor parts	1	10, 12, 18, 19	

Carburetor WTF-2, WTF-4, WTF-8, WTF-9 (54.2013)

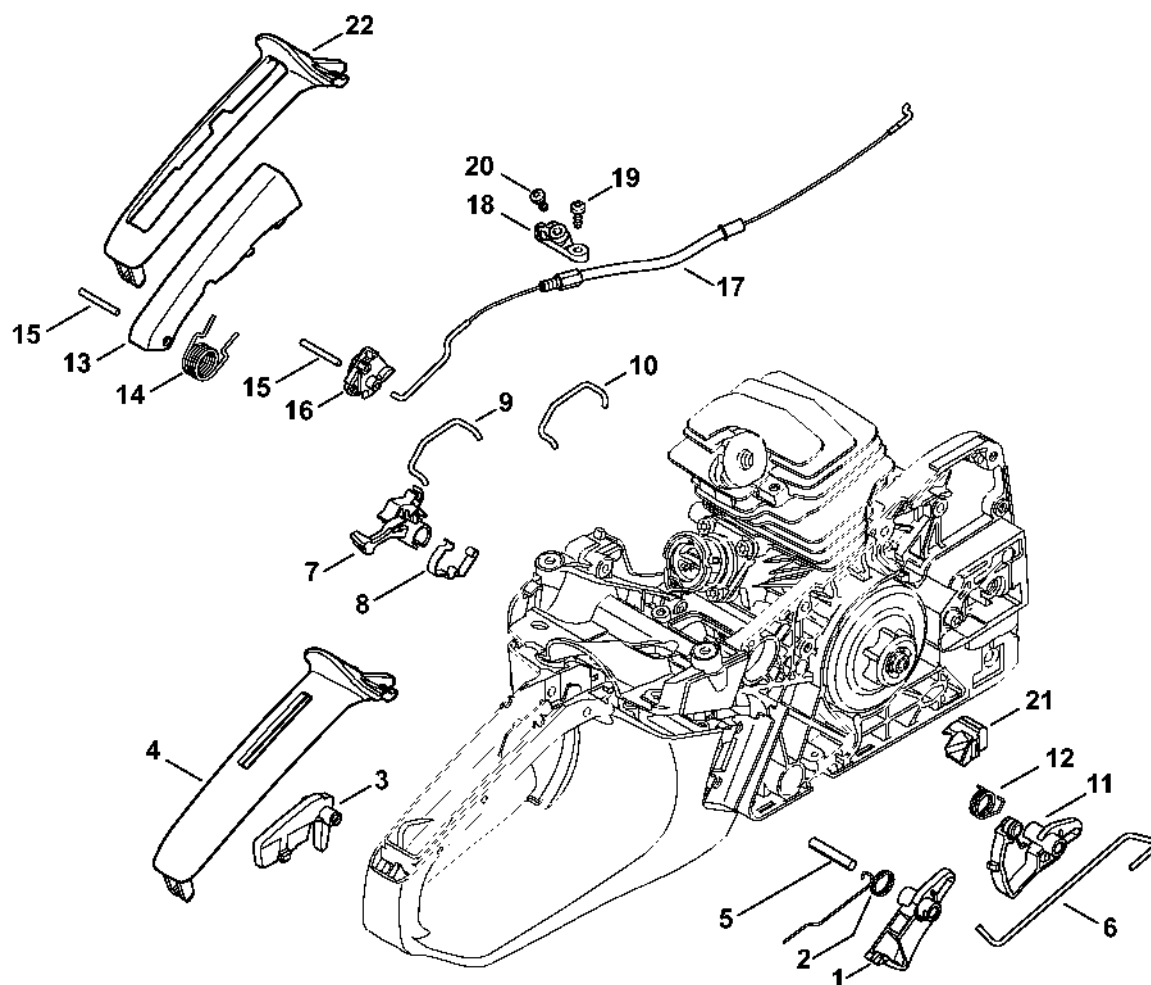


2310ET018 SC

Carburetor WTF-2, WTF-4, WTF-8, WTF-9 (54.2013)

#	Part Number	Description	Quantity	Contains Item(s)	Remarks
1	4116 121 5100	Inlet needle	1		
2	1121 121 5000	Inlet control lever	1		
3	4116 122 3000	Spring	1		
4	1113 121 9200	Spindle	1		
5	1121 122 7103	Round head screw	1		
6	1143 129 0900	Gasket	1		
7	1143 121 4700	Metering diaphragm	1		
9	1121 122 7101	Screw	4		
10	1121 121 4801	Pump diaphragm	1		
11	1120 129 0905	Gasket	1		
12	1143 120 2600	Pump cover	1		
13	1114 122 7100	Screw	1		
14	1143 122 6800	Low speed screw	1		
16	1143 122 6700	High speed screw	1		
18	1143 121 2702	Cap	1		
20	1143 122 6201	Idle speed screw	1		
21	1143 121 2703	Cap	1		
22	1143 121 3501	Throttle lever	1		
23	1123 122 9000	E-clip	1		
24	1114 121 7800	Strainer	1		
25	1143 121 9403	Ring	1		
	1143 007 1700	Set of carburetor parts	1	6, 7, 10, 11	

Throttle control

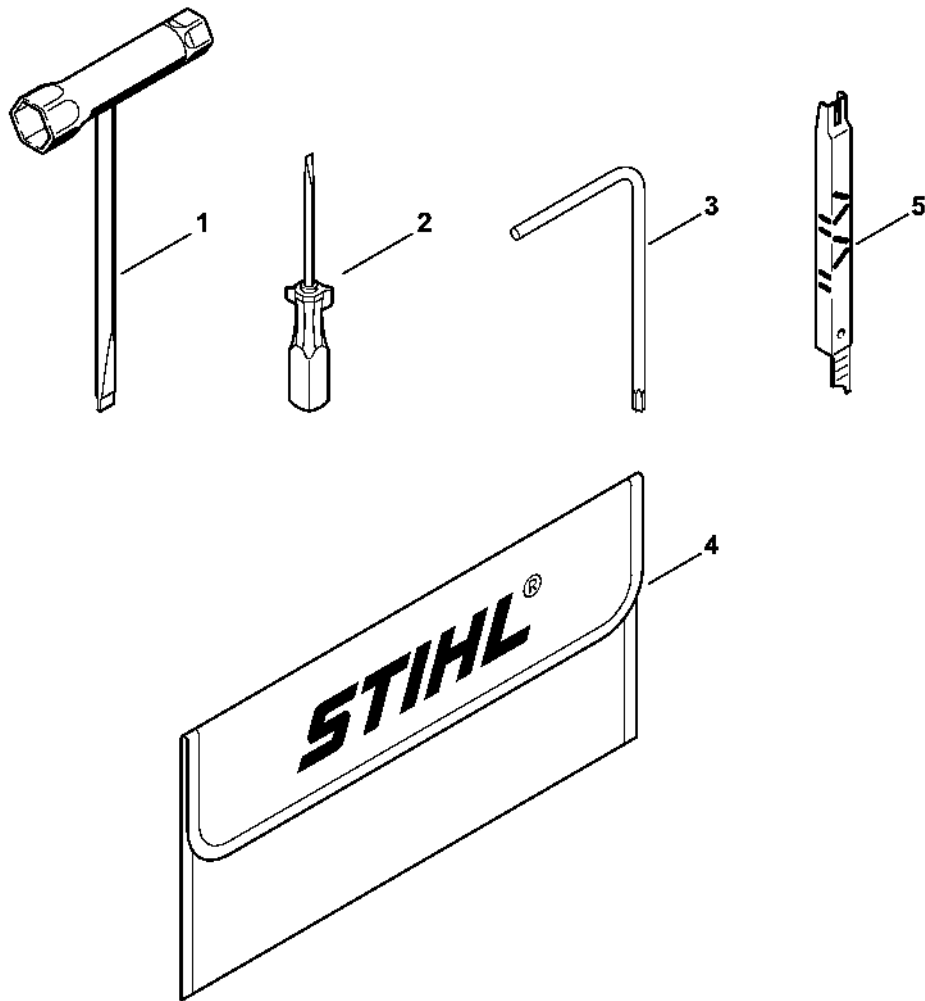


23110ET035 SC

Throttle control

#	Part Number	Description	Quantity	Contains Item(s)	Remarks
1	1143 182 1000	Throttle trigger	1		
2	1143 182 4500	Torsion spring	1		
3	1143 182 0800	Lockout lever	1		
4	1143 791 0600	Handle molding	1		
5	9371 470 2680	Cylindrical pin 5x28	1		
6	1143 182 1500	Throttle rod	1		
7	1143 182 0900	Switch shaft	1		
8	1143 442 1600	Contact spring	1		
9	1143 185 1903	Choke rod	1		

Tools, Extras

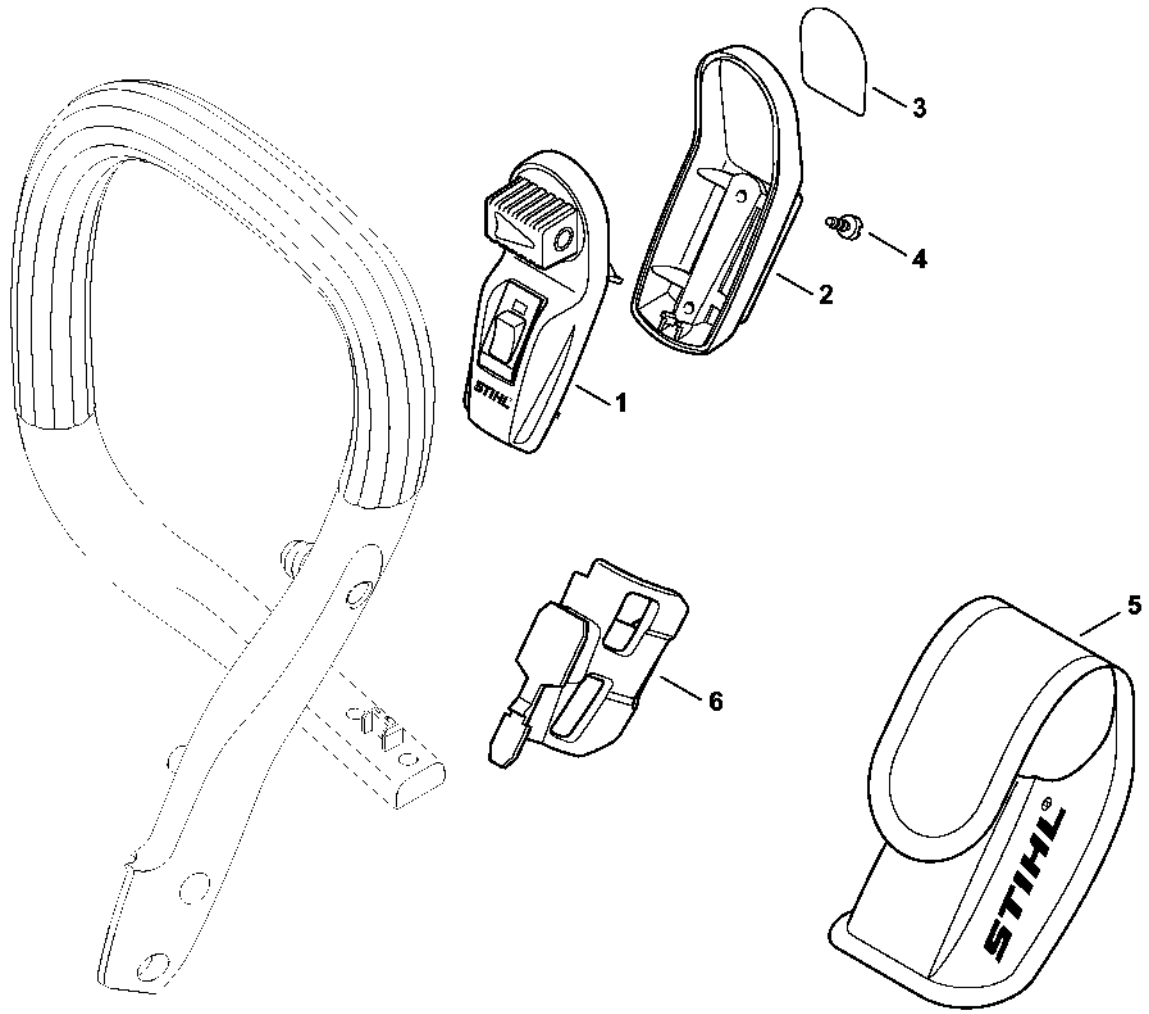


2310E1022 SC

Tools, Extras

#	Part Number	Description	Quantity	Contains Item(s)	Remarks
1	0000 890 3400	Combination wrench	1		
2	0000 890 2300	Screwdriver	1		
3	0812 370 1000	Screwdriver T27x120x70	1		
4	0000 891 0810	Tool roll	1		
5	1110 893 4000	Filing gauge	1		

2-in-1 laser

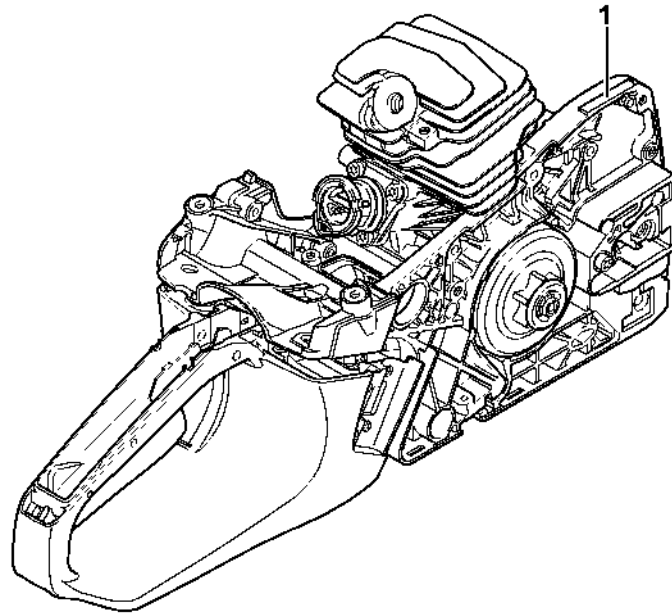


2310E1013 SC

2-in-1 laser

#	Part Number	Description	Quantity	Contains Item(s)	Remarks
1	0000 400 0200	Laser	1	2 - 5	
2	0000 430 9900	Handle molding, bottom	1	3	
3	0000 967 7307	Warning pictogram	1		
4	9074 478 2967	Pan head self-tapping screw IS-P4x10	2		
5	0000 491 0100	Bag	1		
6	1143 791 5400	Support	1		

Serial number

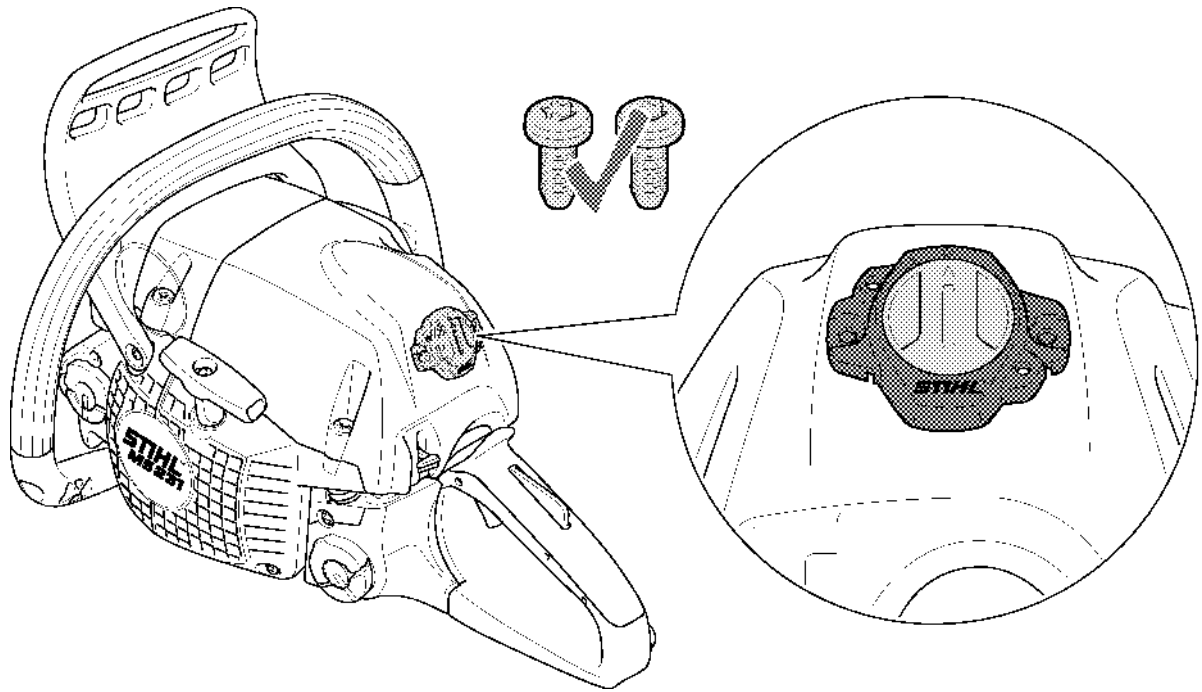


2310E1021 SC

Serial number

#	Part Number	Description	Quantity	Contains Item(s)	Remarks
1		Position of serial number	1		

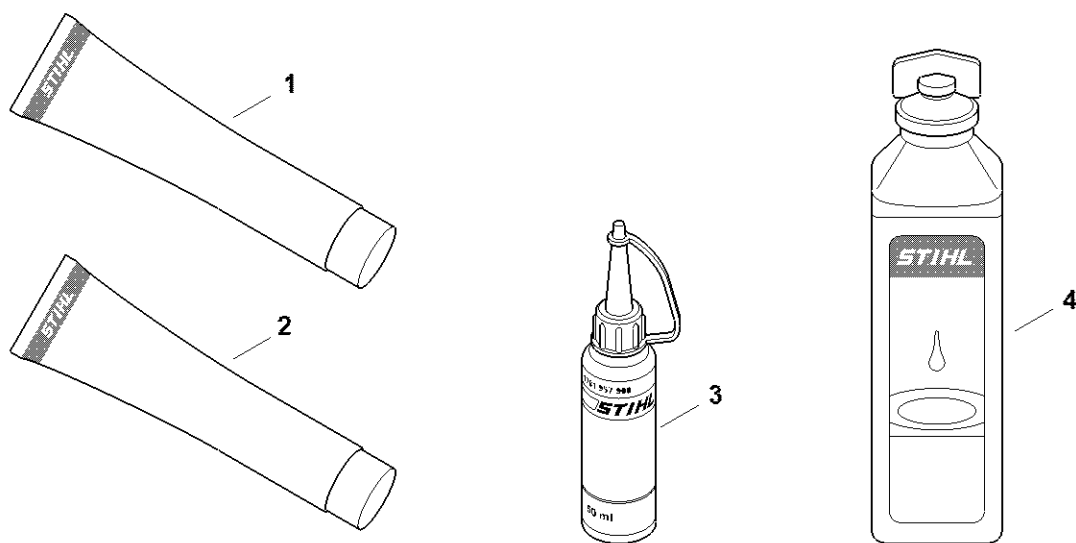
Smart Connector



Smart Connector

#	Part Number	Description	Quantity	Contains Item(s)	Remarks
		Position of Smart Connector	1		

Miscellaneous lubricants and greases

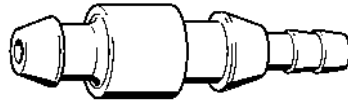


0000-GET-0189-A0

Miscellaneous lubricants and greases

#	Part Number	Description	Quantity	Contains Item(s)	Remarks
1	0781 120 1021	Multi-purpose grease (tube 40 g)	1		
1	0781 120 1109	Multi-purpose grease (tube 80 g)	1		
1	0781 120 1110	Multipurpose grease 225 g	1		
2	0783 830 2000	Sealant, Dirko HT red	1		
3	0781 957 9000	Press fluid OH 723	1		
4	0781 319 8401	HP 100ml	1		
4	0781 319 8052	HP Super 100ml	1		
4	0781 319 8060	HP Ultra 100ml	1		

Nipple



901SW008 GM

Nipple

#	Part Number	Description	Quantity	Contains Item(s)	Remarks
	0000 855 9200	Nipple	1		

Installing tool



9015W009 GM

Installing tool

#	Part Number	Description	Quantity	Contains Item(s)	Remarks
	0000 890 2201	Installing tool	1		
	9210 319 0900	Hexagon nut M6	1		

Wooden assembly block

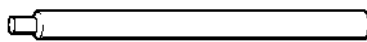


9015W022.GM

Wooden assembly block

#	Part Number	Description	Quantity	Contains Item(s)	Remarks
	1108 893 4800	Wooden assembly block	1		

Assembly drift



901SW036 GM

Assembly drift

#	Part Number	Description	Quantity	Contains Item(s)	Remarks
	1110 893 4700	Assembly drift	1		

Installing sleeve



901SW061 GM

Installing sleeve

#	Part Number	Description	Quantity	Contains Item(s)	Remarks
	1118 893 4602	Installing sleeve	1		

Sealing plate

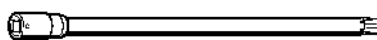


901SW078-GM

Sealing plate

#	Part Number	Description	Quantity	Contains Item(s)	Remarks
	0000 855 8106	Sealing plate	1		

Socket, T27x125

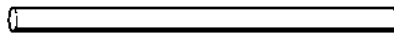


9015W091 GM

Socket, T27x125

#	Part Number	Description	Quantity	Contains Item(s)	Remarks
	0812 542 2104	Driver bit, 1/4" square drive, T27x125	1		

Hose 135 mm / 5 5/16"

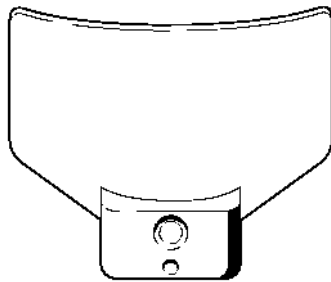


901SW100.GM

Hose 135 mm / 5 5/16"

#	Part Number	Description	Quantity	Contains Item(s)	Remarks
	1110 141 8600	Hose 135 mm / 5 5/16"	1		

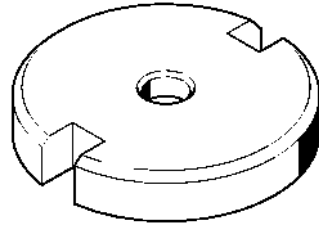
Setting gauge



901SW107 GM

Setting gauge

#	Part Number	Description	Quantity	Contains Item(s)	Remarks
	1111 890 6400	Setting gauge	1		



901SW11 GM

Installing tool

#	Part Number	Description	Quantity	Contains Item(s)	Remarks
	1116 893 4800	Installing tool	1		

Assembly tube

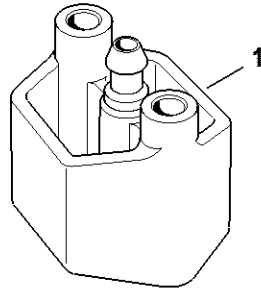


901SW112.GM

Assembly tube

#	Part Number	Description	Quantity	Contains Item(s)	Remarks
	1117 890 0900	Assembly tube	1		

Flange

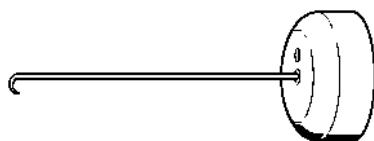


5910-GET-0136-A0

Flange

#	Part Number	Description	Quantity	Contains Item(s)	Remarks
1	1118 850 4200	Flange	1		

Assembly hook



901SW205 GM

Assembly hook

#	Part Number	Description	Quantity	Contains Item(s)	Remarks
	5910 890 2800	Assembly hook	1		

Stud puller, M8

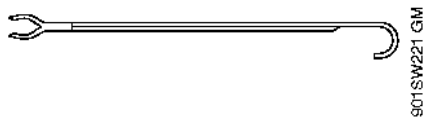


901SW209 GM

Stud puller, M8

#	Part Number	Description	Quantity	Contains Item(s)	Remarks
	5910 893 0501	Stud puller, M8	1		

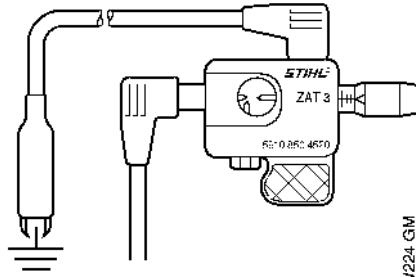
Assembly hook



Assembly hook

#	Part Number	Description	Quantity	Contains Item(s)	Remarks
	5910 893 8800	Assembly hook	1		

Ignition system tester, ZAT 3



901SW224-GM

Ignition system tester, ZAT 3

#	Part Number	Description	Quantity	Contains Item(s)	Remarks
	5910 850 4520	Ignition system tester, ZAT 3	1		

Press sleeve

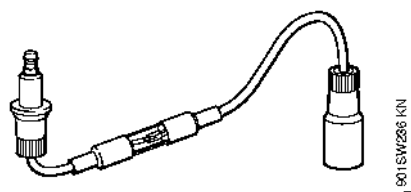


9015W230 KN

Press sleeve

#	Part Number	Description	Quantity	Contains Item(s)	Remarks
	1122 893 2405	Press sleeve	1		

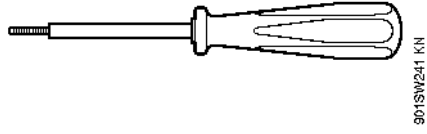
Ignition system tester, ZAT 4



Ignition system tester, ZAT 4

#	Part Number	Description	Quantity	Contains Item(s)	Remarks
	5910 850 4503	Ignition system tester, ZAT 4	1		

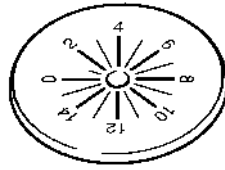
Puller



Puller

#	Part Number	Description	Quantity	Contains Item(s)	Remarks
	5910 890 4500	Puller	1		

Setting disk

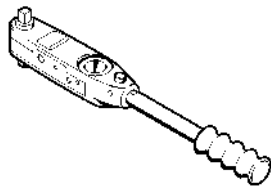


901SW287 KN

Setting disk

#	Part Number	Description	Quantity	Contains Item(s)	Remarks
	5910 893 6600	Setting disk	1		

Torque wrench with optical/acoustic signal

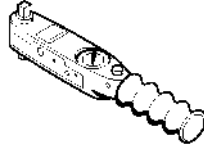


901SW290 KN

Torque wrench with optical/acoustic signal

#	Part Number	Description	Quantity	Contains Item(s)	Remarks
	5910 890 0312	Torque wrench with optical/acoustic signal	1		

Torque wrench with optical/acoustic signal

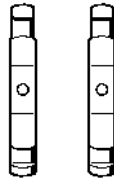


90/15W266 KN

Torque wrench with optical/acoustic signal

#	Part Number	Description	Quantity	Contains Item(s)	Remarks
		Torque wrench	1		

Jaw (profile No. 3.1 and 4)

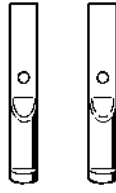


MS 255MS106

Jaw (profile No. 3.1 and 4)

#	Part Number	Description	Quantity	Contains Item(s)	Remarks
	0000 893 3706	Jaw (profile No. 3.1 and 4)	1		

Jaw (profile No. 6)

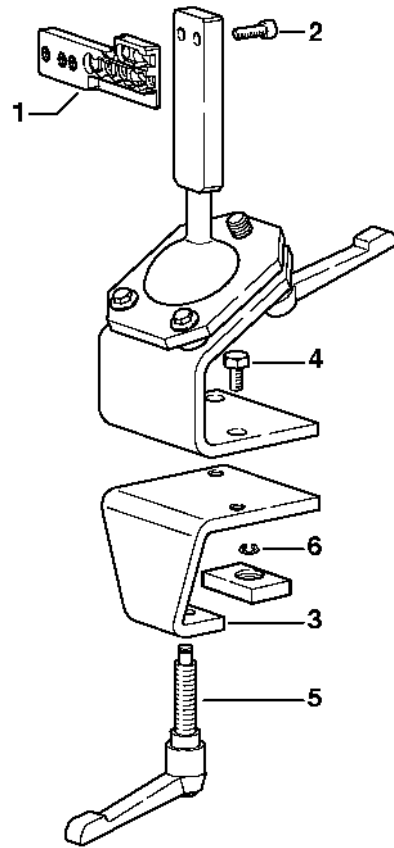


601314333 C14

Jaw (profile No. 6)

#	Part Number	Description	Quantity	Contains Item(s)	Remarks
	0000 893 3711	Jaw (profile No. 6)	1		

Assembly stand

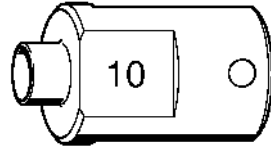


90151633 SC

Assembly stand

#	Part Number	Description	Quantity	Contains Item(s)	Remarks
	5910 890 3101	Assembly stand	1	1 - 6	
1	5910 850 1651	Support	1		
2	9045 319 2390	Socket head screw M10x25	2		
3	5910 850 2100	Clamping plate	1	4 - 6	
4	9008 319 2930	Hexagon head screw M12x20	2		
5	5910 890 1901	Clamp lever	1		
6	9455 621 0850	Circlip 10x1	1		

Sleeve

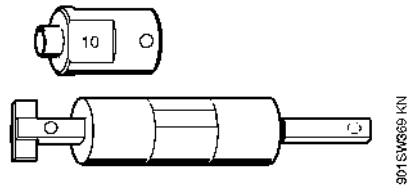


9015WBS KN

Sleeve

#	Part Number	Description	Quantity	Contains Item(s)	Remarks
	5910 893 1707	Sleeve	1		

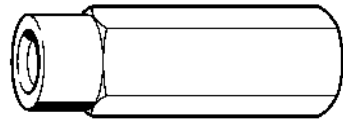
Installing tool, 10



Installing tool, 10

#	Part Number	Description	Quantity	Contains Item(s)	Remarks
	5910 890 2210	Installing tool, 10	1		
	5910 893 1707	Sleeve	1		

Puller

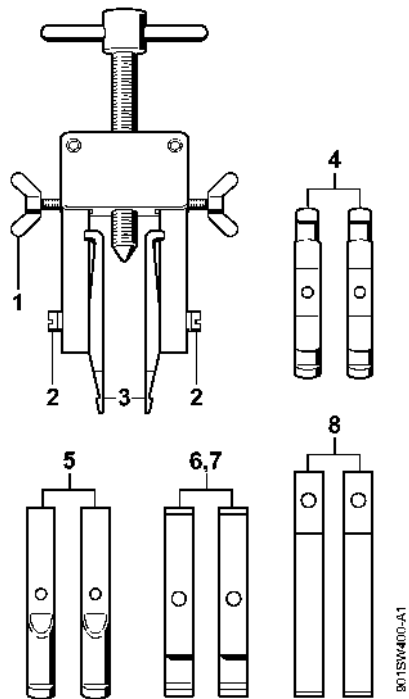


801516388 KN

Puller

#	Part Number	Description	Quantity	Contains Item(s)	Remarks
	5910 893 0801	Puller	1		

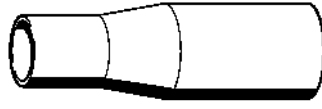
Puller



Puller

#	Part Number	Description	Quantity	Contains Item(s)	Remarks
	5910 890 4400	Puller	1	1 - 8	
1	9157 691 0980	Wing screw M5x16	2		
2	9044 319 0980	Pan head screw M5x16	2		
3	0000 893 3700	Jaw (profile No. 1 and 2)	2		
4	0000 893 3706	Jaw (profile No. 3.1 and 4)	2		
5	0000 893 3711	Jaw (profile No. 6)	2		
6	0000 893 3703	Jaw (profile No. 7)	2		
7	0000 893 3704	Jaw (profile No. 8)	2		
8	0000 893 3707	Jaw (profile No. 9)	2		

Installing sleeve

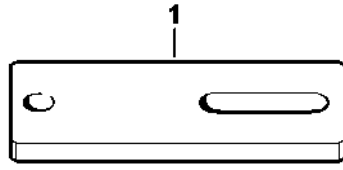


9015W451 KN

Installing sleeve

#	Part Number	Description	Quantity	Contains Item(s)	Remarks
	1141 893 4600	Installing sleeve	1		

Flange

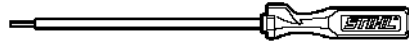


25110-BET-0013-A1

Flange

#	Part Number	Description	Quantity	Contains Item(s)	Remarks
	5910 855 4206	Flange	1		

Screwdriver

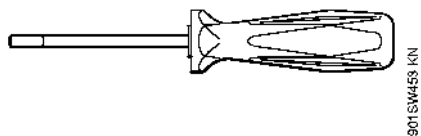


6013W434 KN

Screwdriver

#	Part Number	Description	Quantity	Contains Item(s)	Remarks
	5910 890 2306	Screwdriver	1		

Punchdown tool



Punchdown tool

#	Part Number	Description	Quantity	Contains Item(s)	Remarks
	5910 890 4000	Punchdown tool	1		

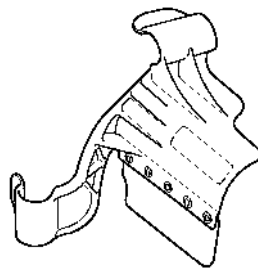
Locking strip



90151474 SC

Locking strip

#	Part Number	Description	Quantity	Contains Item(s)	Remarks
	0000 893 5904	Locking strip	1		

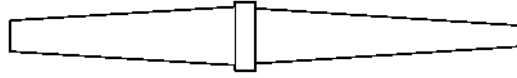


901SW484 GM

Cover

#	Part Number	Description	Quantity	Contains Item(s)	Remarks
	5910 890 3200	Cover	1		

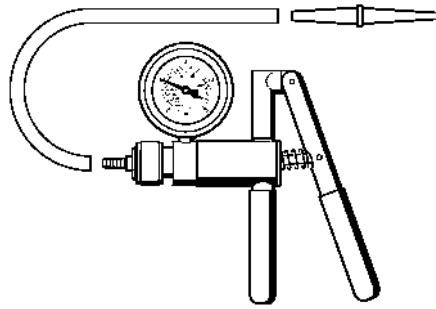
Nipple



9013W496 GM

Nipple

#	Part Number	Description	Quantity	Contains Item(s)	Remarks
	0000 855 9201	Nipple	1		

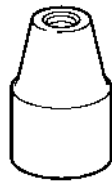


901 SW498 GM

Pump

#	Part Number	Description	Quantity	Contains Item(s)	Remarks
	0000 850 1300	Pump	1		
	0000 855 9201	Nipple	1		
	0000 855 0100	Hose	1		

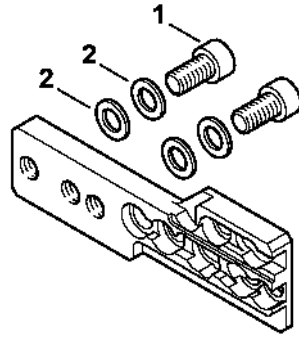
Stud puller, M8-7,5



9015W502 GM

Stud puller, M8-7,5

#	Part Number	Description	Quantity	Contains Item(s)	Remarks
	5910 890 3000	Stud driver M8-7.5	1		

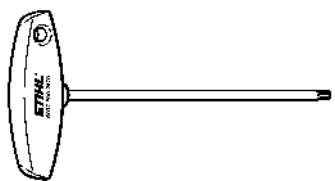


90151647 SC

Support

#	Part Number	Description	Quantity	Contains Item(s)	Remarks
	5910 850 1651	Support	1	1, 2	
1	9045 319 2390	Socket head screw M10x25	2		
2	9291 021 3870	Washer 10.5x20x1.5	4		

Screwdriver, T27x150



9015W575 K11

Screwdriver, T27x150

#	Part Number	Description	Quantity	Contains Item(s)	Remarks
	5910 890 2400	Screwdriver, T27x150	1		

Socket, 8 mm, long reach

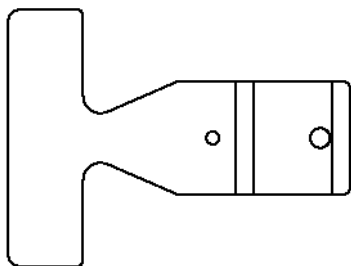


8015W04 SC

Socket, 8 mm, long reach

#	Part Number	Description	Quantity	Contains Item(s)	Remarks
1	5910 893 2807	Socket, 8 mm, long reach	1		

Setting gauge

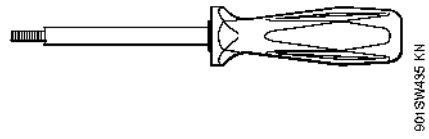


901SW605-SC

Setting gauge

#	Part Number	Description	Quantity	Contains Item(s)	Remarks
	0000 890 6401	Setting gauge	1		

Puller

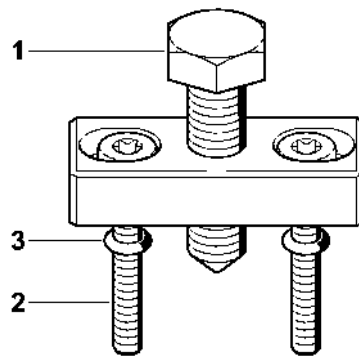


9015WASE KN

Puller

#	Part Number	Description	Quantity	Contains Item(s)	Remarks
	5910 890 4502	Puller	1		

Puller

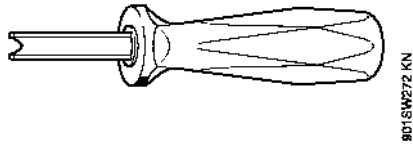


901 SW448 GM

Puller

#	Part Number	Description	Quantity	Contains Item(s)	Remarks
	5910 890 4504	Puller	1		
1	0000 951 0900	Hexagon head screw	1		
2	9022 341 1080	Spline screw IS-M5x35	2		
3	9646 945 0160	O-ring 4x2	2		

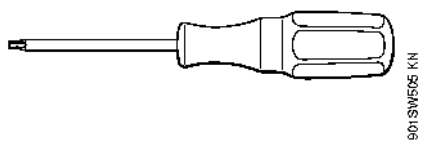
Puller



Puller

#	Part Number	Description	Quantity	Contains Item(s)	Remarks
	5910 890 4501	Puller	1		

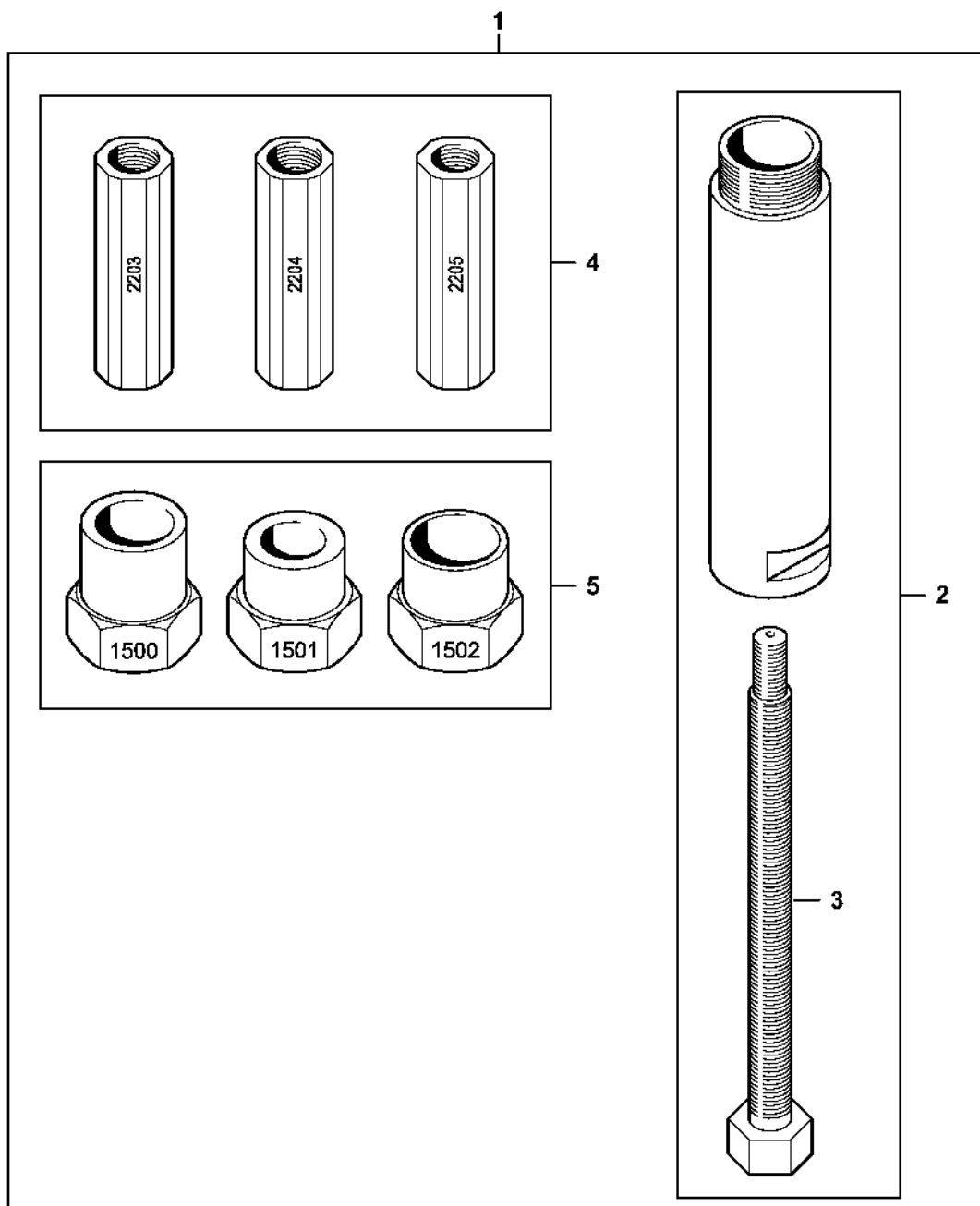
Screwdriver, T8



Screwdriver, T8

#	Part Number	Description	Quantity	Contains Item(s)	Remarks
	5910 890 2310	Screwdriver, T8	1		

Installing tool AS

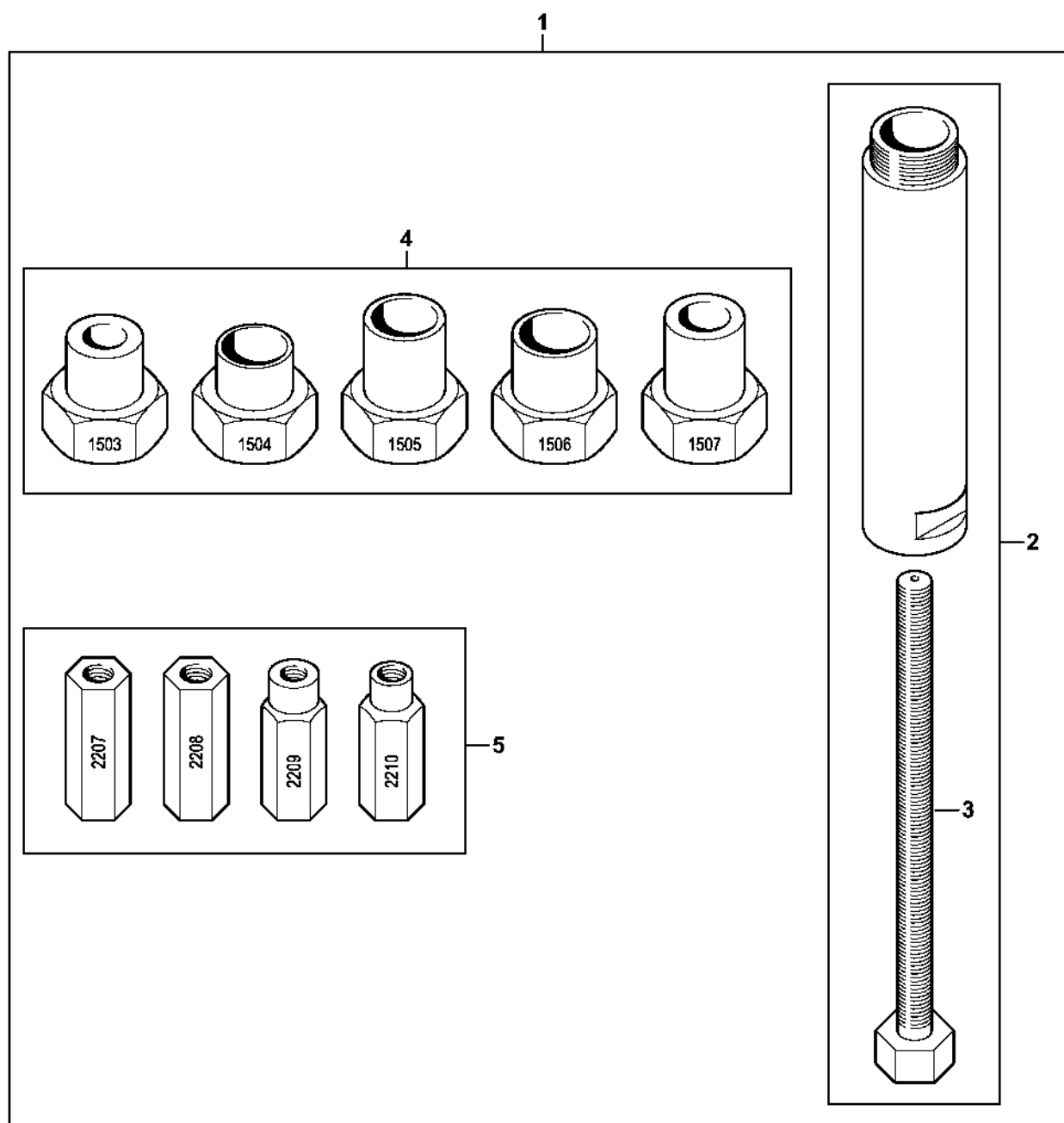


9610-GET-0129-A0

Installing tool AS

#	Part Number	Description	Quantity	Contains Item(s)	Remarks
1	5910 850 5220	Installing tool AS	1	2 - 5	http://stihl.com/sxyRs8
2	5910 890 8401	Spindle AS	1	3	
3	5910 893 8503	Spindle M8x1-LH AS	1		
4	5910 007 1009	Set of screw sleeves AS	1		
5	5910 007 1007	Adapter kit AS	1		

Installing tool LS



9510-GET-0130-A0

Installing tool LS

#	Part Number	Description	Quantity	Contains Item(s)	Remarks
1	5910 850 5221	Installing tool LS	1	2 - 5	http://stihl.com/sxyRs8
2	5910 890 8402	Spindle LS	1	3	
3	5910 893 8504	Spindle M8x1 LS	1		
4	5910 007 1008	Adapter kit LS	1		
5	5910 007 1010	Set of screw sleeves LS	1		