

MS 210-Z

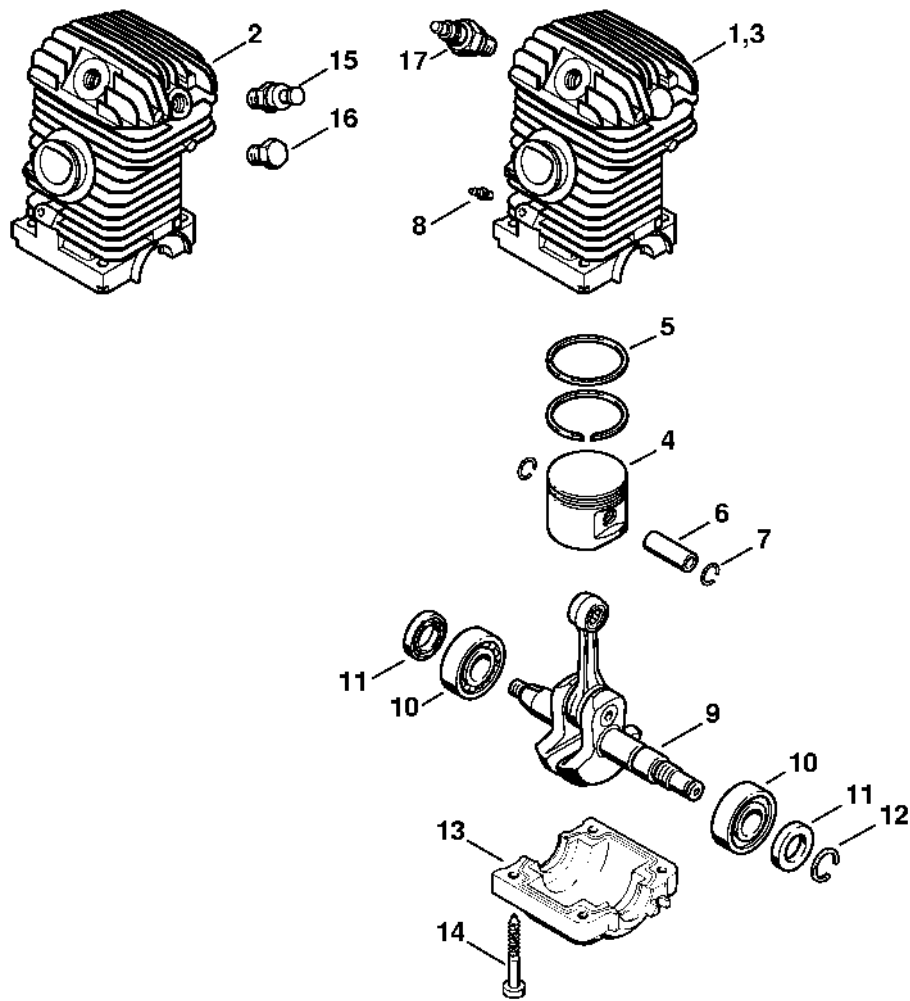
Spare Parts List
12/15/2023
Australia, English

Muffler with spark arrestor

Contents

Engine	2	Socket, 13 mm	60
Motor housing	4	Socket, 19 mm	62
Oil pump	6	Assembly hook	64
Clutch	8	Sleeve	66
Hand guard, Chain brake	10	Sleeve	68
Muffler	12	Locking strip	70
Ignition system	14	Torque wrench with optical/acoustic signal	72
Fan housing with rewind starter	16	Torque wrench	74
Air filter	18	Torque wrench with optical/acoustic signal	76
Handle housing	20	Torque wrench	78
Carburetor C1Q-100335, C1Q-S86	23	Jaw (profile No. 6)	80
Carburetor C1Q-S77 USA,CDN	25	Assembly stand	82
Tools, Extras	28	Clamping plate	84
Serial number	30	Installing tool, 10	86
Nipple	32	Installer	88
Assembly drift	34	Installer	90
Press sleeve	36	Puller	92
Guide	38	Puller	94
Sealing plate	40	Installing tool	96
Socket, T27x125	42	Nipple	98
Hose 135 mm / 5 5/16"	44	Testing tool kit	100
Setting gauge	46	Pump	102
Installing tool	48	Stud puller, M8-7,5	104
Assembly tube	50	Screwdriver, T27x150	106
Flange	52	Setting gauge	108
Clip	54		
Flange	56		
Stud puller, M8	58		

Engine

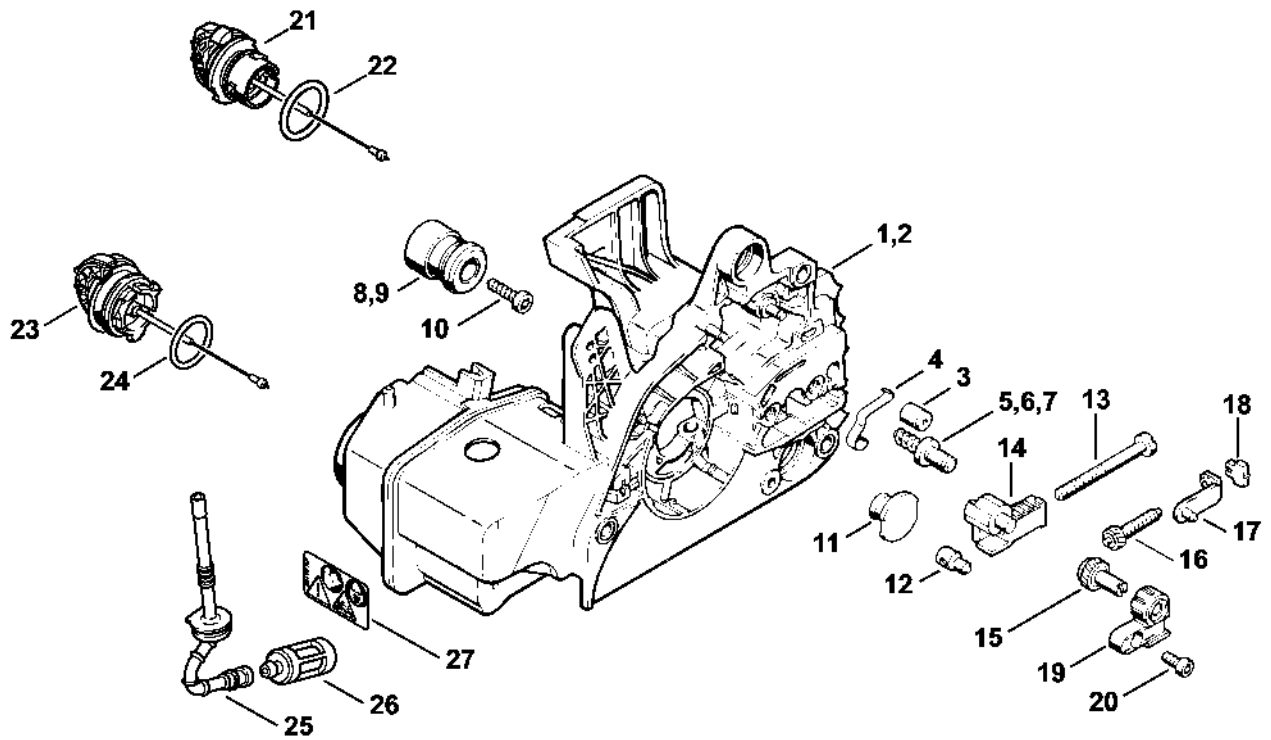


530ET007 SC

Engine

#	Part Number	Description	Quantity	Contains Item(s)	Remarks
1	1123 020 1221	Cylinder with piston Ø 40 mm	1	4 - 8, 14	
4	1123 030 2003	Piston Ø 40 mm	1	5 - 7	
5	1123 034 3005	Piston ring Ø 40x1.2 mm	2		
6	4119 034 1500	Piston pin 10x6.5x28	1		
7	9463 650 1000	Snap ring 10	2		
8	0000 988 5211	Connector	1		
9	1123 030 0411	Crankshaft	1		
10	9503 003 0340	Grooved ball bearing 6202	2		
11	9638 003 1581	Oil seal 15x25x5	2		
11	9639 003 1585	Oil seal 15x25x5	2		
12	9468 621 1520	Circlip 15x1	1		
13	1123 021 2500	Engine pan	1		
14	9075 478 4195	Pan head self-tapping screw IS-D5.3x41	4		
17	1110 400 7005	Spark plug Bosch WSR 6 F	1		
17	0000 400 7000	Spark plug NGK BPMR7A	1		
17	0000 400 7029	Spark plug STIHL ZK C 14, pack of 10	1		
17	0000 400 7030	Spark plug STIHL ZK C 14, pack of 40	1		
	0783 830 2000	Sealant, Dirko HT red	1		

Motor housing

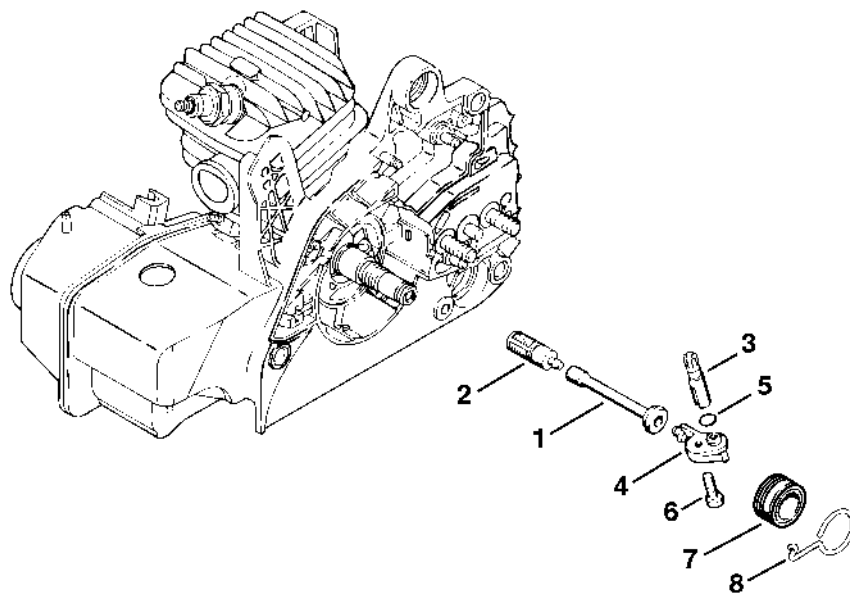


ZWBET037-SC

Motor housing

#	Part Number	Description	Quantity	Contains Item(s)	Remarks
1	1123 020 3033	Engine housing	1	3 - 5, 8, 21 - 24, 27	
3	1128 640 9100	Valve	1		
4	1123 162 7800	Flat spring	1		
5	1123 664 2400	Collar screw	2		
7	1123 664 2405	Collar screw D9/M8	2		
8	1123 790 9900	Annular buffer	1		
9	1123 790 9900	Annular buffer	2		
10	9075 478 4155	Pan head self-tapping screw IS-D5x24	3		
11	1123 791 7300	Plug	3		
12	1120 664 1500	Tensioning nut	1		
13	1123 664 1605	Adjusting screw	1		
14	1123 664 2205	Cover	1		
	1123 007 1000	Chain tensioner kit	1	15 - 20	
21	0000 350 0537	Oil filler cap	1	22	
22	9645 948 2470	O-ring 23x3	1		
23	0000 350 0533	Filler cap	1	24	
24	9645 948 7734	O-ring 25x3.5	1		
25	1123 358 7703	Hose	1		
26	0000 350 3500	Pickup body	1		
27	0000 967 7247	Warning pictogram MS	1		

Oil pump

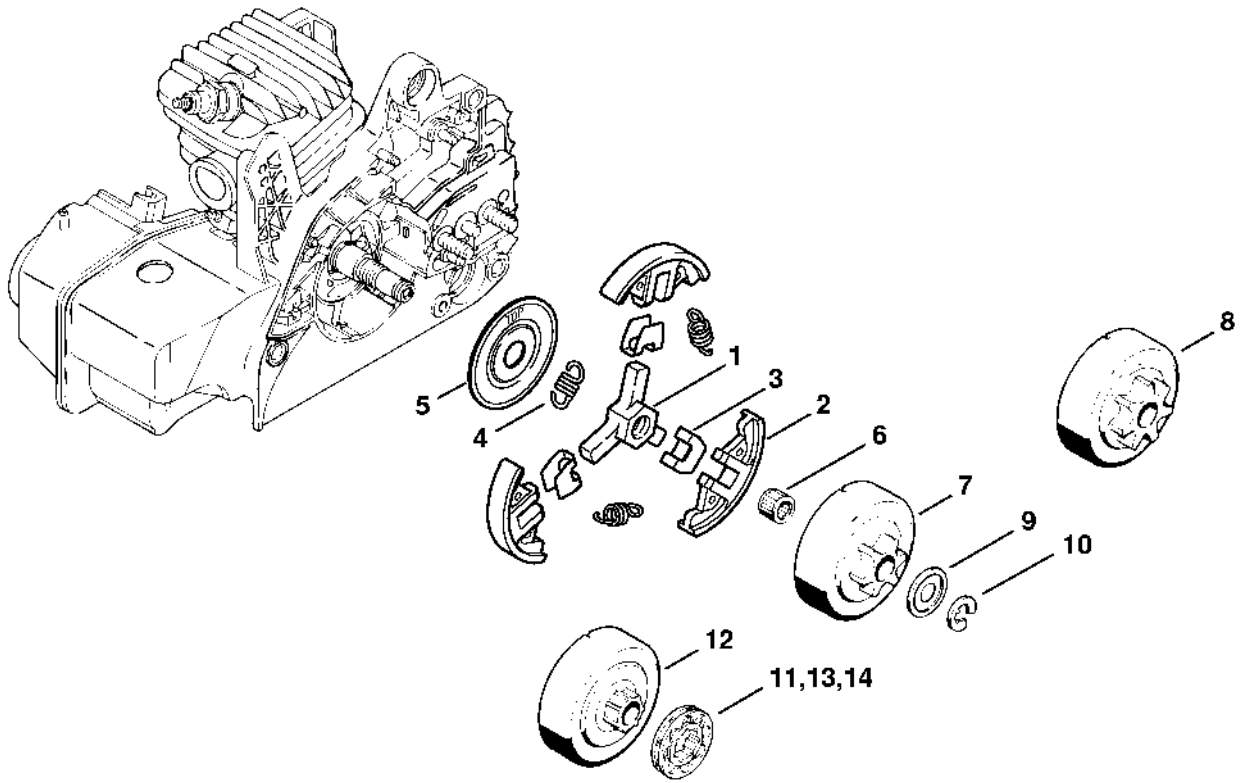


135ETD41 SC

Oil pump

#	Part Number	Description	Quantity	Contains Item(s)	Remarks
1	1123 647 9400	Hose	1		
2	1123 640 3800	Pickup body	1		
3	1123 640 3200	Oil pump 0.55	1		
4	1123 640 2901	Connector	1	5	
5	9646 945 0355	O-ring 6.1x1.6	1		
6	9074 478 4130	Screw IS P5x16	1		
7	1123 640 7102	Worm gear	1	8	
8	1123 647 2400	Spring	1		

Clutch

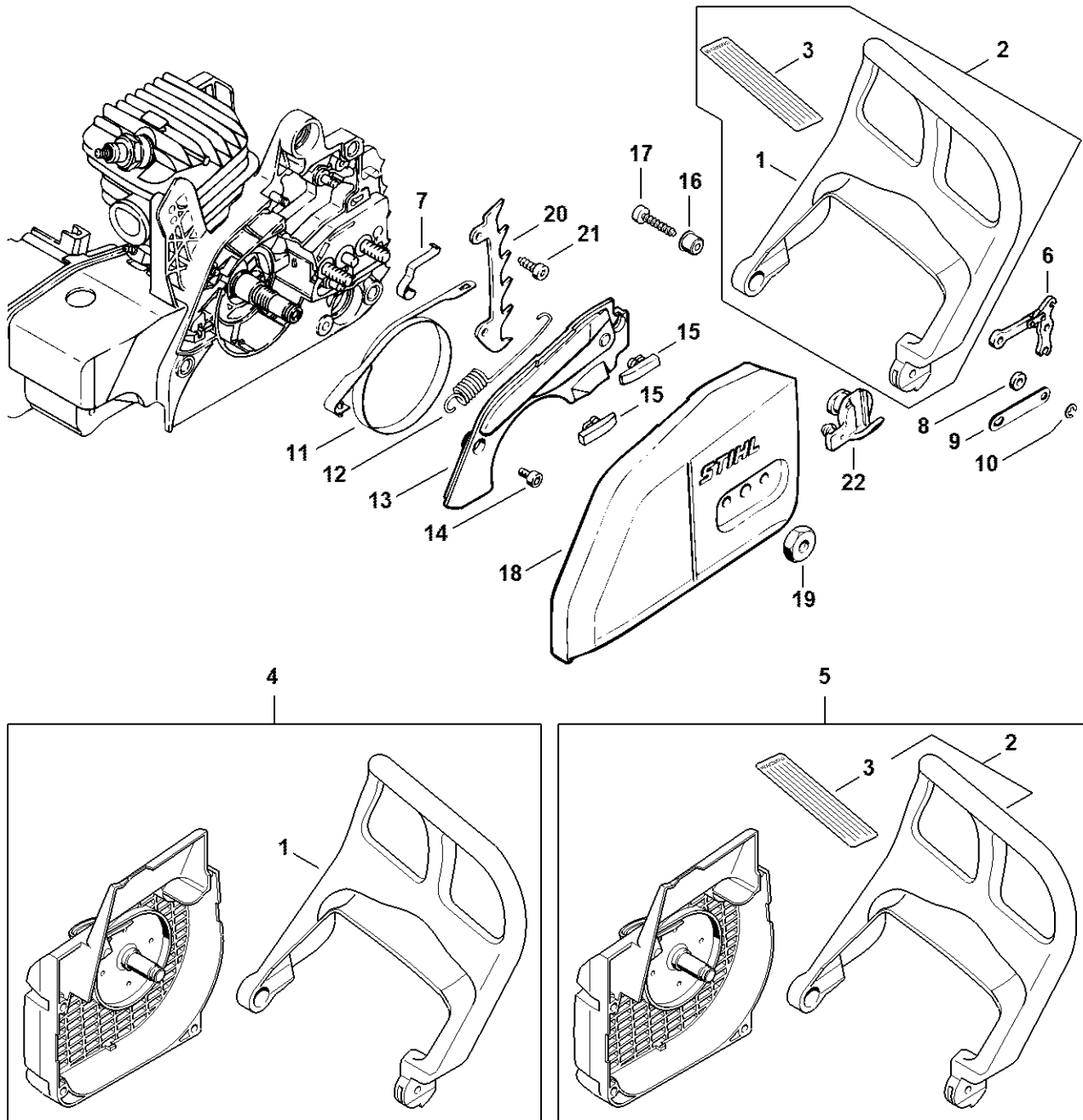


208ET003 SC

Clutch

#	Part Number	Description	Quantity	Contains Item(s)	Remarks
	1123 160 2050	Clutch	1	1 - 5	
1	1121 162 3201	Carrier	1		
2	1129 162 0800	Clutch shoe	3		
3	1127 162 3000	Retainer	3		
4	0000 997 5515	Tension spring	3		
5	1121 162 1001	Cover washer	1		
6	9512 933 2260	Needle cage 10x13x10	1		
7	1123 640 2073	Chain sprocket 3/8" Picco 6T	1		
8	1123 640 2072	Chain sprocket 3/8" Picco 7T	1		
	1123 640 2077	Chain sprocket 1/4" 8T	1		Carving
	1123 640 2074	Chain sprocket 0.325" 7T	1		
	1123 640 2076	Chain sprocket 0.325" 8T	1		
9	0000 958 1022	Washer Ø 27 mm	1		
10	9460 624 0801	E-clip 8x1,3	1		
	1123 007 1030	Rim sprocket kit 3/8" Picco 7T	1	9 - 12	
11	0000 642 1240	Rim sprocket 3/8" Picco 7T	1		
12		Clutch drum	1		
	1123 007 1031	Rim sprocket kit 0.325" 8T	1	9, 10, 12, 13	
13	0000 642 1234	Rim sprocket 0.325" 8T	1		
	1123 007 1032	Rim sprocket kit 0.325" 7T	1	9, 10, 12, 14	
14	0000 642 1236	Rim sprocket 0.325" 7T	1		

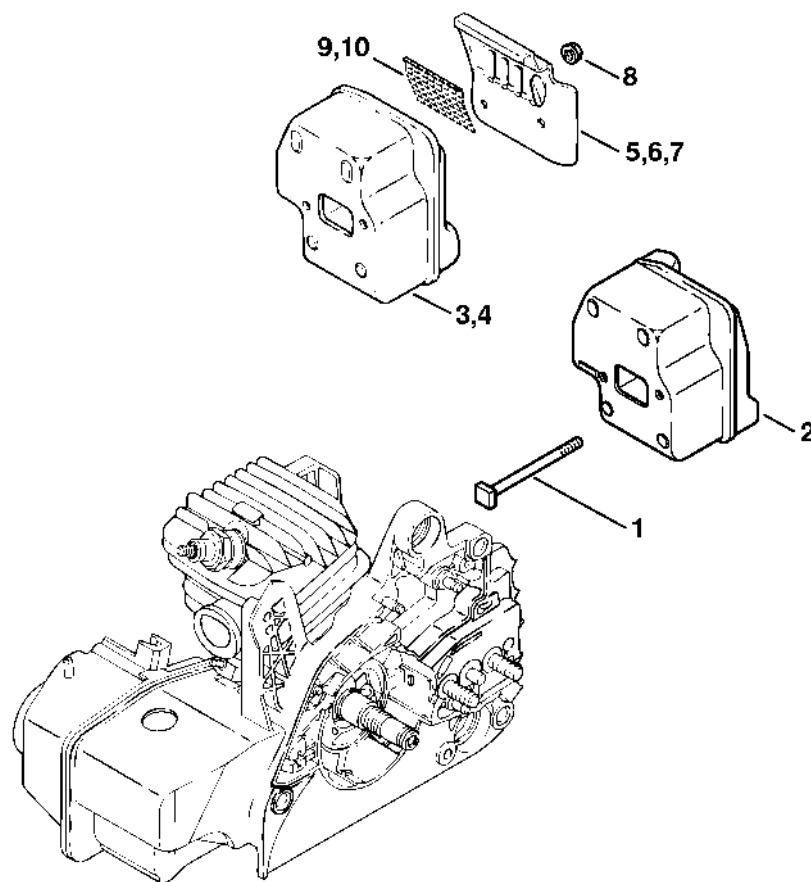
Hand guard, Chain brake



1123-GET-0077-40

Hand guard, Chain brake

#	Part Number	Description	Quantity	Contains Item(s)	Remarks
2	1123 790 9151	Hand guard	1	3	USA
3	0000 967 3908	Instruction label	1		USA
5	1123 080 1817	Fan housing	1	2, 3	USA
6	1121 160 5000	Lever	1		
7	1123 162 7800	Flat spring	1		
8	0000 958 0521	Washer	1		
9	1123 162 5800	Strap	1		
10	9460 624 0400	E-clip 4	1		
11	1123 160 5400	Brake band	1		
12	1123 162 7902	Tension spring	1		
13	1123 021 1100	Cover	1		
14	9075 478 3015	Pan head self-tapping screw IS-D4x15	2		
15	1123 648 6600	Bumper strip	2		
16	1127 791 7200	Sleeve	1		
17	9075 478 4155	Pan head self-tapping screw IS-D5x24	1		
18	1123 640 1704	Chain sprocket cover	1		
19	0000 955 0801	Hexagon nut M8	2		
20	1123 664 0500	Bumper spike	1		
21	9075 478 4115	Pan head self-tapping screw IS-D5x16	2		
22	1123 656 7700	Chain catcher	1		

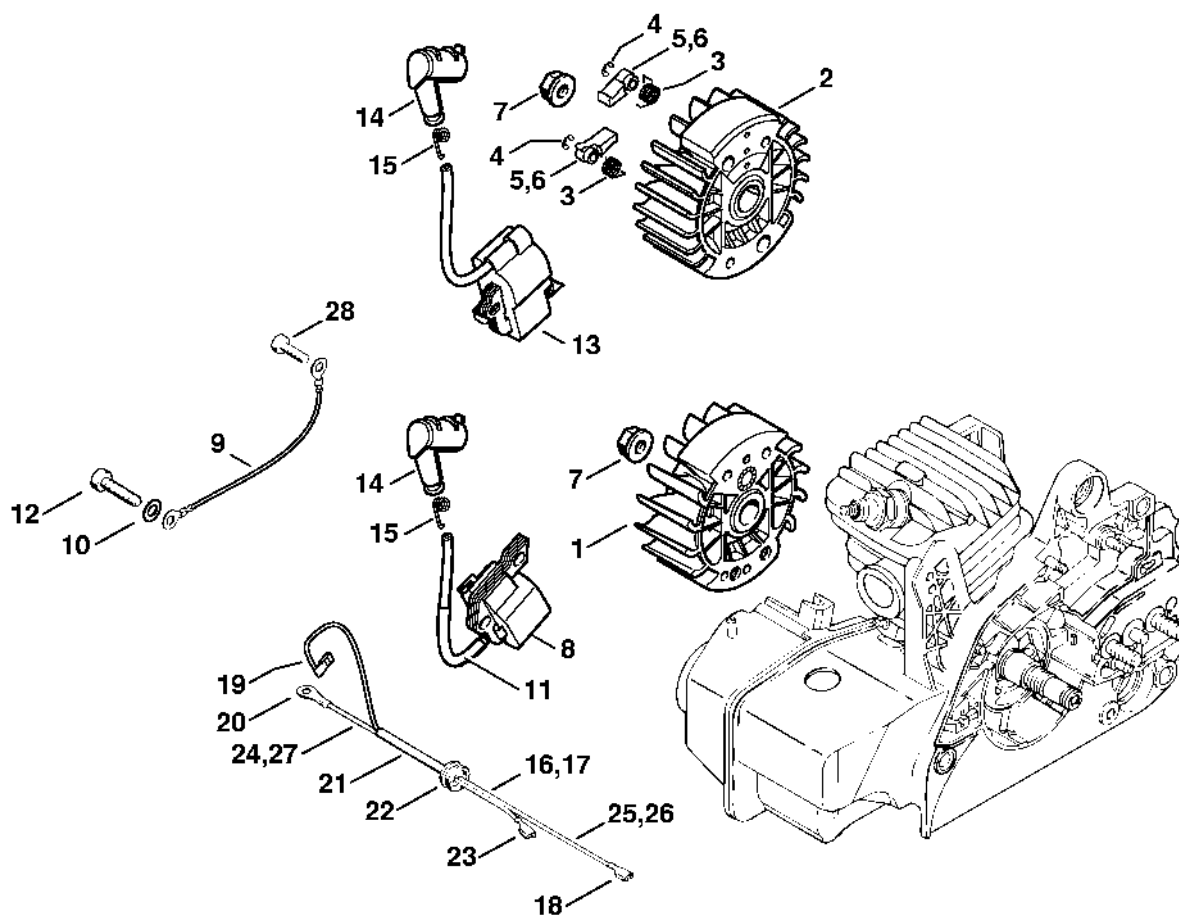


530ET012 SC

Muffler

#	Part Number	Description	Quantity	Contains Item(s)	Remarks
1	1123 148 1201	Screw M5x65	2		
3	1123 140 0606	Muffler	1	7, 10	USA, CDN
7	1123 145 0602	Cover plate	1		USA, CDN
8	9216 263 0700	Hexagon nut M5	2		
10	1123 141 9002	Screen	1		USA, CDN

Ignition system

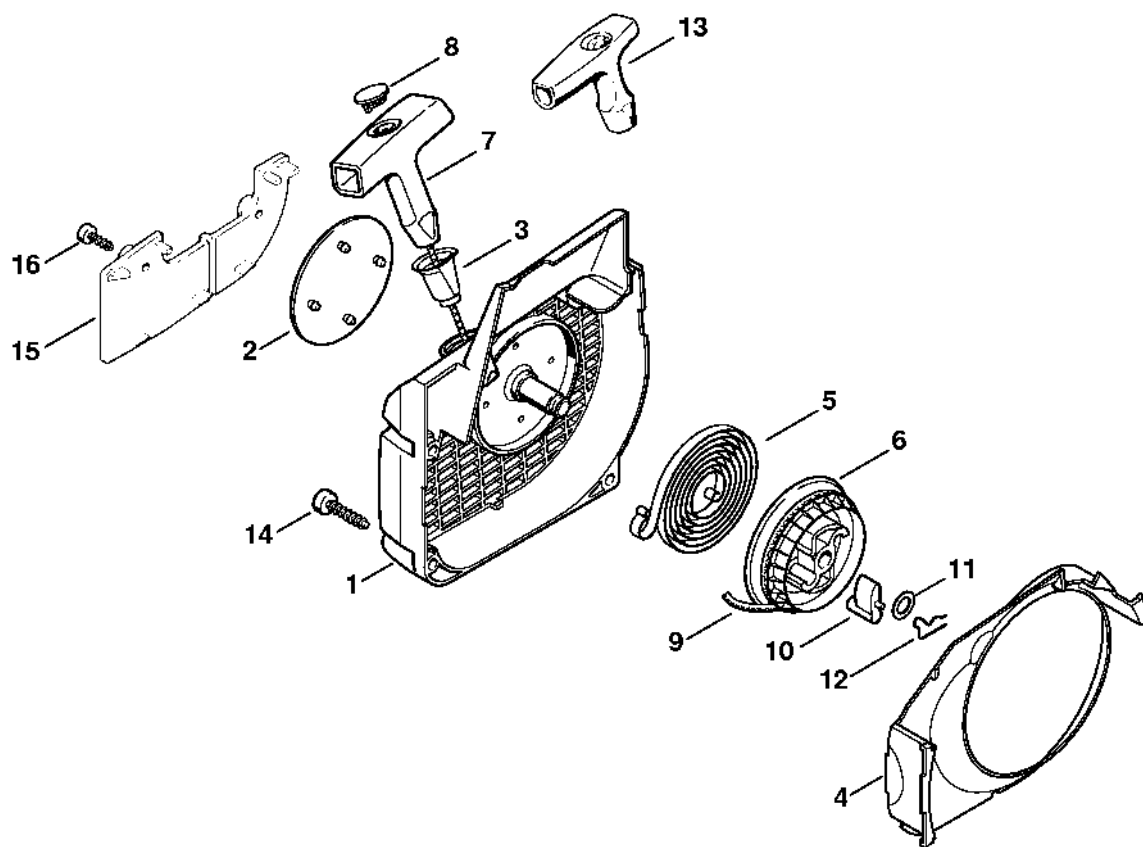


208ET032 SC

Ignition system

#	Part Number	Description	Quantity	Contains Item(s)	Remarks
1	1123 400 1203	Flywheel	1		
7	0000 955 0802	Collar nut M8x1	1		
8	0000 400 1306	Ignition module	1	9, 10	
9	1123 440 2200	Ground wire	1		
10	9291 021 0121	Washer 5.3	2		
11	1123 442 0401	Insulating hose	1		
12	9075 478 4155	Pan head self-tapping screw IS-D5x24	2		
14	1128 405 1000	Spark plug boot	1		
15	0000 998 0604	Spark plug contact spring	1		
16	1123 440 3001	Wiring harness	1	18 - 25	
18	0751 030 8957	Terminal socket 4.8-1/0.8	1		
19		Terminal socket	1		
20	0751 030 8950	Terminal socket A 4-1	1		
21	1123 442 0400	Shrink-on tube	1		
22	0000 989 0814	Grommet	1		
23	0751 030 8955	Terminal socket 4.8-1/0.4	1		
24		Lead 160 mm / 6.3"	1		
25		Lead 250 mm / 9.8"	1		
	0751 010 1110	Cable 10 m	1		
28	9075 478 3015	Pan head self-tapping screw IS-D4x15	1		

Fan housing with rewind starter

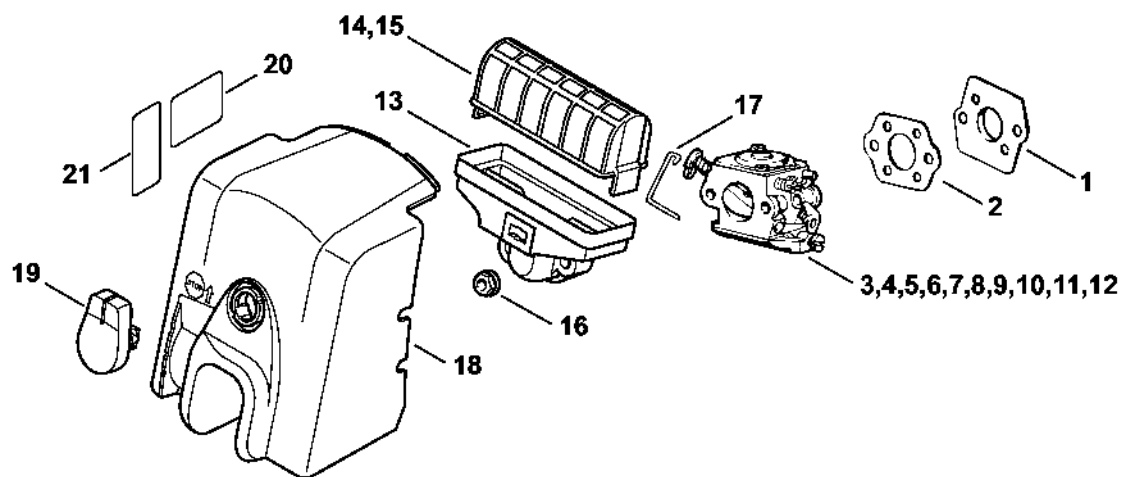


208ET025 SC

Fan housing with rewind starter

#	Part Number	Description	Quantity	Contains Item(s)	Remarks
	1123 080 2115	Fan housing with rewind starter	1	1 - 12	
1	1123 080 1813	Fan housing	1	2, 3	
2	1123 967 1510	Model plate MS 210	1		
2	1123 967 1511	Model plate MS 210 C	1		
2	0000 967 1500	Nameplate STIHL	1		
3	1110 084 9102	Bushing	1		
4	1123 084 7800	Segment	1		
5	1129 190 0601	Rewind spring	1		
6	1123 195 0400	Rope rotor	1		
7	0000 190 3402	Starter grip ElastoStart Ø 3 mm	1	8, 9	
8	0000 195 7001	Cap	1		
9	0000 195 8200	Starter rope Ø 3x800 mm	1		
	0000 930 2208	Starter rope Ø 3 mm x 30.5 m	1		
10	1125 195 7200	Pawl	1		
11	0000 958 0923	Washer	1		
12	1118 195 3500	Spring	1		
13	1121 195 3400	Starter grip	1		
14	9075 478 4155	Pan head self-tapping screw IS-D5x24	4		
	1123 007 1009	Intake air preheating kit	1	15, 16	
15	1123 084 8201	Cover plate	1	16	
16	9099 021 2770	Self-tapping screw 3.9x13	2		

Air filter

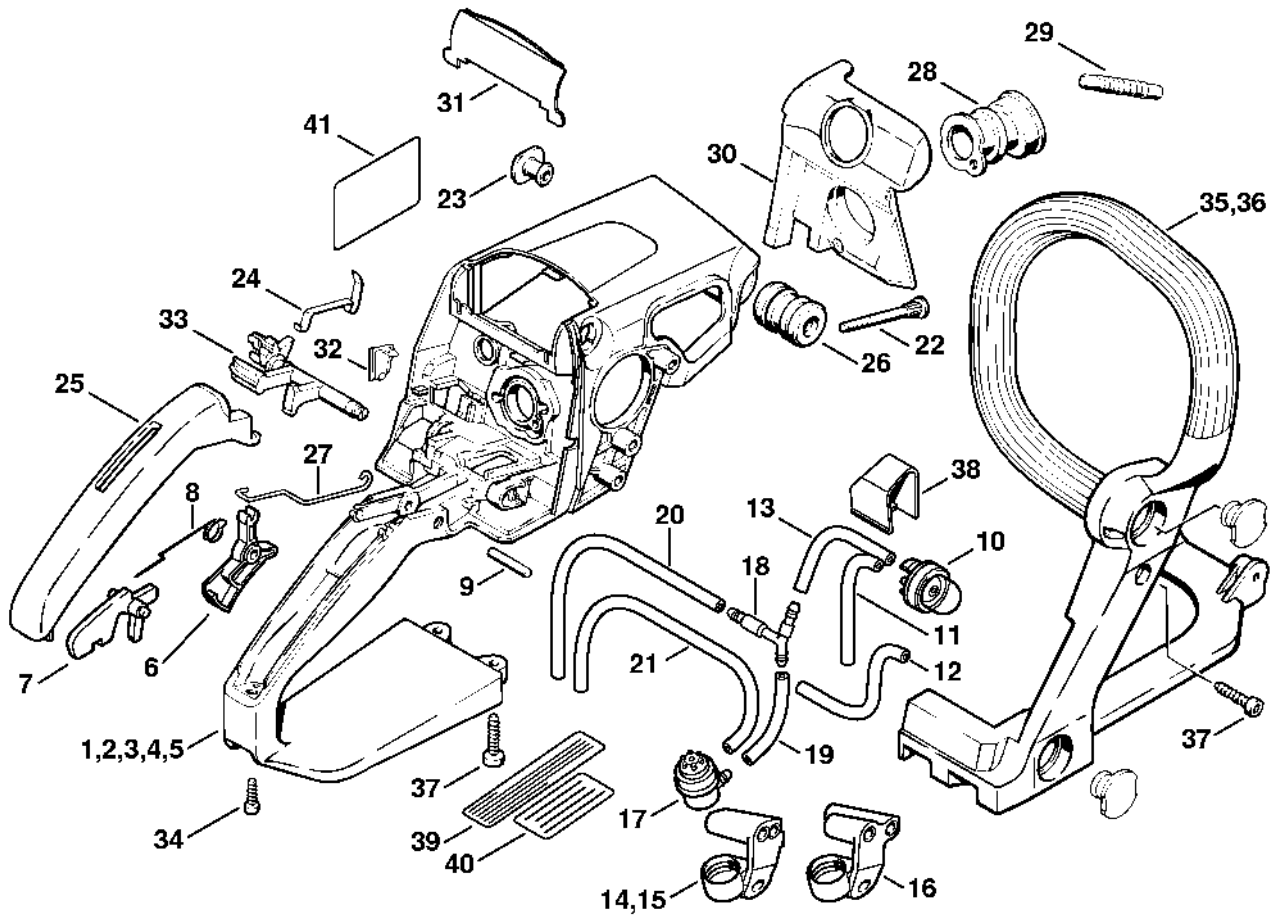


530ET014-SC

Air filter

#	Part Number	Description	Quantity	Contains Item(s)	Remarks
1	1123 141 2000	Shim	1		
2	1123 129 0900	Gasket	1		
3	1123 120 0631	Carburetor C1Q-100335G	1		
10	1123 120 0604	Carburetor C1Q-S77G	1		USA, CDN
	1123 120 1651	Air filter assembly, flocked	1	13, 15, 16	USA, AUS, CDN
13		Filter housing	1		
15	1123 120 1613	Air filter, flocked	1		USA, AUS, CDN
16	9216 261 0700	Hexagon nut M5	2		
17	1123 185 2000	Choke rod	1		
18	1123 140 1902	Carburetor box cover	1	19	
19	1123 141 2301	Twist lock	1		
20	0000 967 4058	Warning pictogram Filler cap	1		USA, CDN
21	0000 967 3605	Warning pictogram Filler cap	1		USA, CDN

Handle housing



208ET1034 AM

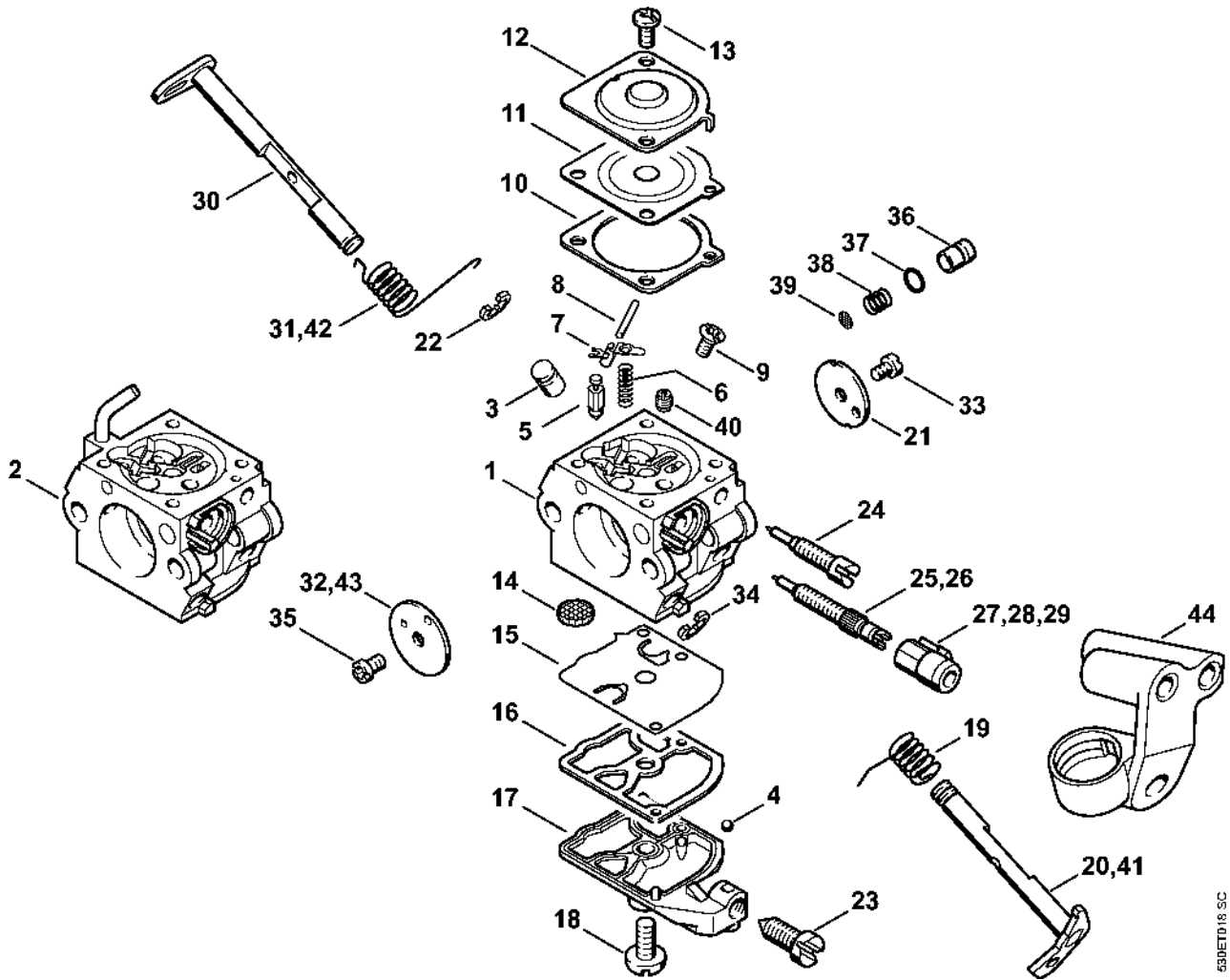
Handle housing

#	Part Number	Description	Quantity	Contains Item(s)	Remarks
1	1123 790 1022	Handle housing	1	22	
6	1128 182 1005	Throttle trigger	1		
7	1117 182 0805	Lockout lever	1		
8	1117 182 4500	Torsion spring	1		
9	9371 470 2640	Cylindrical pin 5x24	1		
	0000 930 2802	Hose 2.2x5.4 mm x 1 m, R1	1		
14	1123 123 7503	Grommet	1		BR
15	1123 123 7503	Grommet	1		
16	1123 123 7504	Grommet	1		
17	0000 350 5802	Tank vent	1		
18	1123 353 2700	Connector	1		
21		Hose 3.1x5.7x166 mm, R3	1		
	0000 930 2803	Hose 3.1x5.7 mm x 1 m, R3	1		
22	1125 122 6600	Collar screw	2		
23	1123 791 7310	Plug	1		
24	1123 442 1602	Contact spring	1		
25	1123 791 0600	Handle molding	1		
26	1123 791 2805	Annular buffer	1		
27	1123 182 1505	Throttle rod	1		
28	1123 141 2200	Manifold	1		
29	1123 141 8600	Impulse hose	1		
30	1123 141 5600	Baffle plate	1		
31	1123 141 4001	Slide	1		
32	1123 791 7500	Cover	1		
33	1123 182 0901	Switch shaft	1		
34	9075 478 3015	Pan head self-tapping screw IS-D4x15	1		
35	1123 791 1702	Handlebar	1		

Handle housing

#	Part Number	Description	Quantity	Contains Item(s)	Remarks
37	9075 478 4155	Pan head self-tapping screw IS-D5x24	3		
39	0000 967 3579	Instruction label (Spanish)	1		USA
40		Instruction label	1		BR
41	0000 967 7288	Warning pictogram Filler cap	1		USA

Carburetor C1Q-100335, C1Q-S86

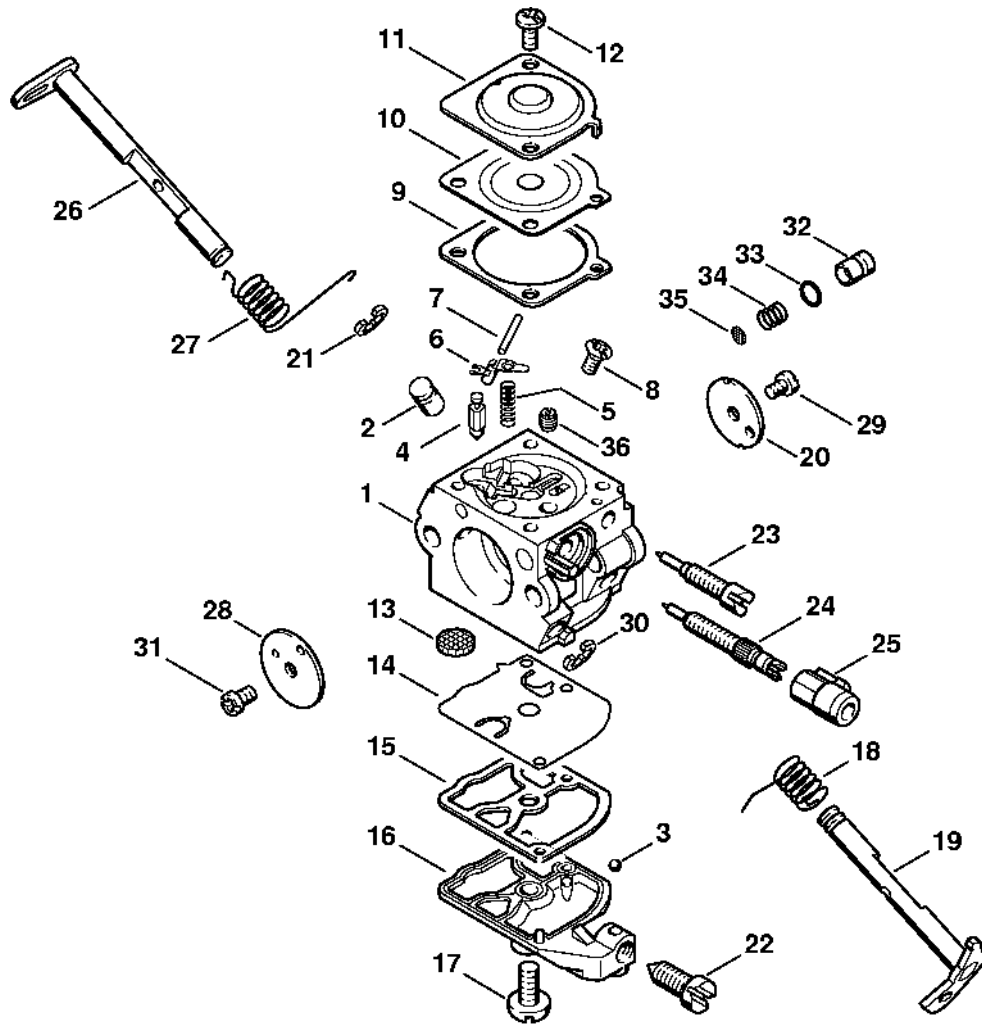


630121018.SC

Carburetor C1Q-100335, C1Q-S86

#	Part Number	Description	Quantity	Contains Item(s)	Remarks
1	1123 120 0631	Carburetor C1Q-100335G	1	3 - 25, 27, 30 - 40, 44	
40	1132 121 5600	Fixed jet 0.48	1		

Carburetor C1Q-S77 USA,CDN



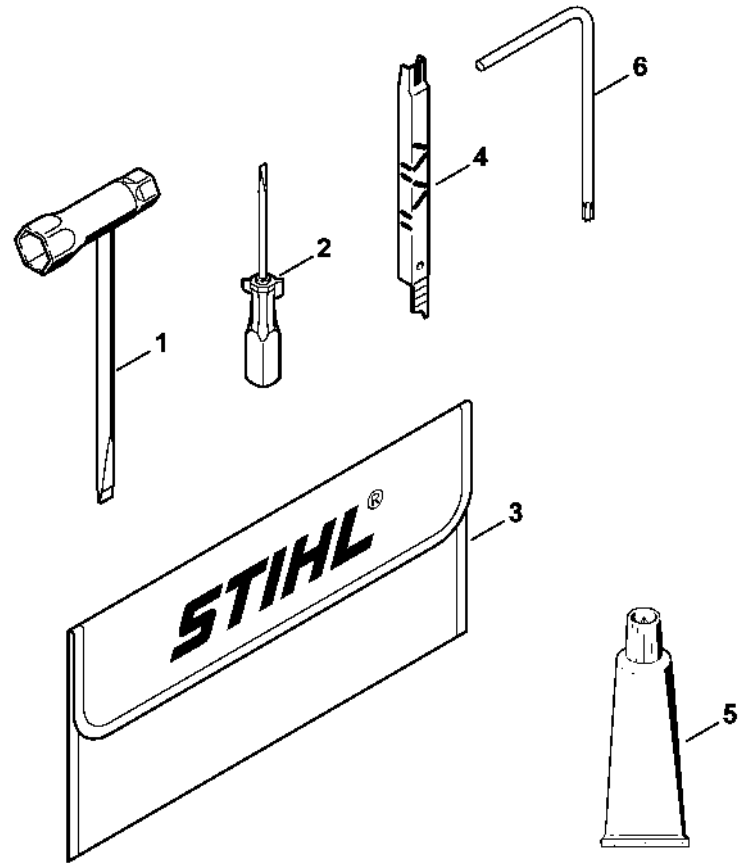
530ET004-SC

Carburetor C1Q-S77 USA,CDN

#	Part Number	Description	Quantity	Contains Item(s)	Remarks
1	1123 120 0604	Carburetor C1Q-S77G	1	2 - 36	
2	1123 121 5401	Valve jet	1		
3	1125 122 4200	Clamp	1		
4	Z000 018 Z000	Inlet needle	1		
5	1129 122 3001	Spring	1		
6	1125 121 5000	Inlet control lever	1		
7	1120 121 9200	Spindle	1		
8	1120 122 6600	Collar screw	1		
9	1123 129 0901	Metering gasket	1		
10	1123 121 4700	Metering diaphragm	1		
11	1123 121 0801	End cover	1		
12	4132 122 6600	Collar screw	2		
13	1123 121 7800	Strainer	1		
14	1129 121 4800	Pump diaphragm	1		
15	1123 129 0905	Pump gasket	1		
16	1123 121 0800	End cover	1		
17	1120 122 7800	Oval head screw	1		
18	1123 122 3000	Spring	1		
19	1123 120 7103	Throttle shaft with lever	1		
20	1123 121 3303	Throttle shutter	1		
21	1125 122 9001	E-clip	1		
22	1123 122 6200	Idle speed screw	1		
23	1129 122 6802	Low speed screw	1		
24	1123 122 6701	High speed screw	1		
25	1129 121 2701	Cap	1		
26	1123 120 7200	Choke shaft with lever	1		
27	1123 122 3203	Torsion spring	1		

Carburetor C1Q-S77 USA,CDN

#	Part Number	Description	Quantity	Contains Item(s)	Remarks
28	1132 121 2901	Choke shutter	1		
29	1120 122 7400	Round head screw	1		
30	1125 122 9002	E-clip	1		
31	1125 122 7403	Round head screw	1		
	1123 120 9701	Pump piston kit	1	32 - 34	
	1139 120 9702	Pump piston kit	1	32 - 34	
32		Pump piston	1		
33		Sealing ring	1		
34		Spring	1		
35	1132 121 7800	Strainer	1		
36	1130 121 5604	Fixed jet 0.45	1		
	1123 007 1060	Carburetor parts kit	1	9, 10, 14, 15	

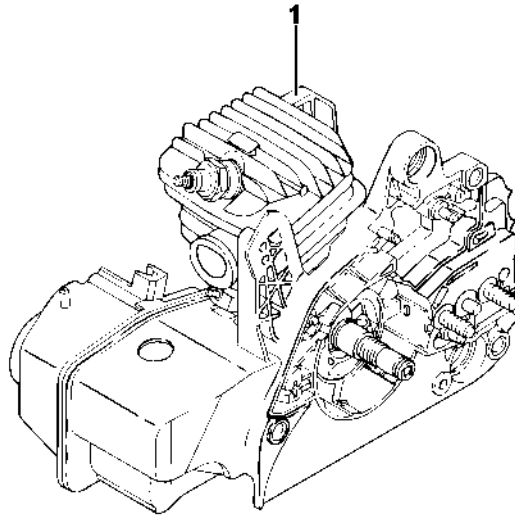


1123-GET-001-40

Tools, Extras

#	Part Number	Description	Quantity	Contains Item(s)	Remarks
1	1129 890 3401	Combination wrench	1		
2	0000 890 2300	Screwdriver	1		
3	0000 891 0810	Tool roll	1		
4	1110 893 4000	Filing gauge	1		
5	0783 830 2000	Sealant, Dirko HT red	1		
6	0812 370 1000	Screwdriver T27x120x70	1		
	0751 010 1110	Cable 10 m	1		

Serial number

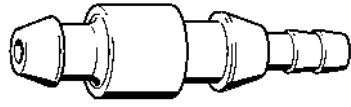


531ET006 SC

Serial number

#	Part Number	Description	Quantity	Contains Item(s)	Remarks
1		Position of serial number	1		

Nipple

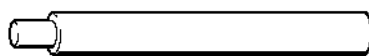


9015W008.GM

Nipple

#	Part Number	Description	Quantity	Contains Item(s)	Remarks
	0000 855 9200	Nipple	1		

Assembly drift

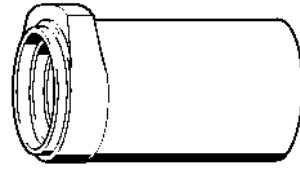


901SW041 GM

Assembly drift

#	Part Number	Description	Quantity	Contains Item(s)	Remarks
	1111 893 4700	Assembly drift	1		

Press sleeve



9015W068.GM

Press sleeve

#	Part Number	Description	Quantity	Contains Item(s)	Remarks
	1123 893 2400	Press sleeve	1		



9015W069 GM

Guide

#	Part Number	Description	Quantity	Contains Item(s)	Remarks
	1123 894 7700	Guide	1		

Sealing plate

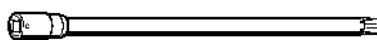


901SW078-GM

Sealing plate

#	Part Number	Description	Quantity	Contains Item(s)	Remarks
	0000 855 8106	Sealing plate	1		

Socket, T27x125

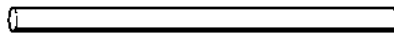


9015W091 GM

Socket, T27x125

#	Part Number	Description	Quantity	Contains Item(s)	Remarks
	0812 542 2104	Driver bit, 1/4" square drive, T27x125	1		

Hose 135 mm / 5 5/16"

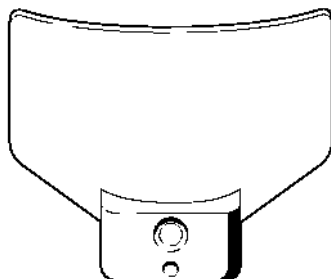


901SW100 GM

Hose 135 mm / 5 5/16"

#	Part Number	Description	Quantity	Contains Item(s)	Remarks
	1110 141 8600	Hose 135 mm / 5 5/16"	1		

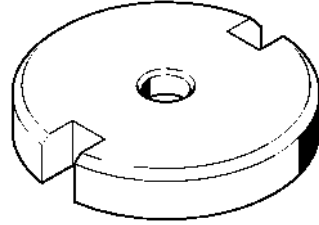
Setting gauge



901SW107 GM

Setting gauge

#	Part Number	Description	Quantity	Contains Item(s)	Remarks
	1111 890 6400	Setting gauge	1		



901SW11 GM

Installing tool

#	Part Number	Description	Quantity	Contains Item(s)	Remarks
	1116 893 4800	Installing tool	1		

Assembly tube

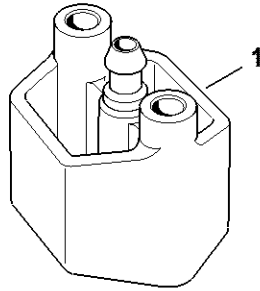


901SW112.GM

Assembly tube

#	Part Number	Description	Quantity	Contains Item(s)	Remarks
	1117 890 0900	Assembly tube	1		

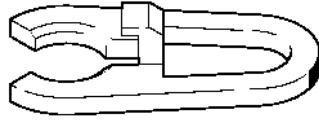
Flange



5910-GET-0136-A0

Flange

#	Part Number	Description	Quantity	Contains Item(s)	Remarks
1	1118 850 4200	Flange	1		

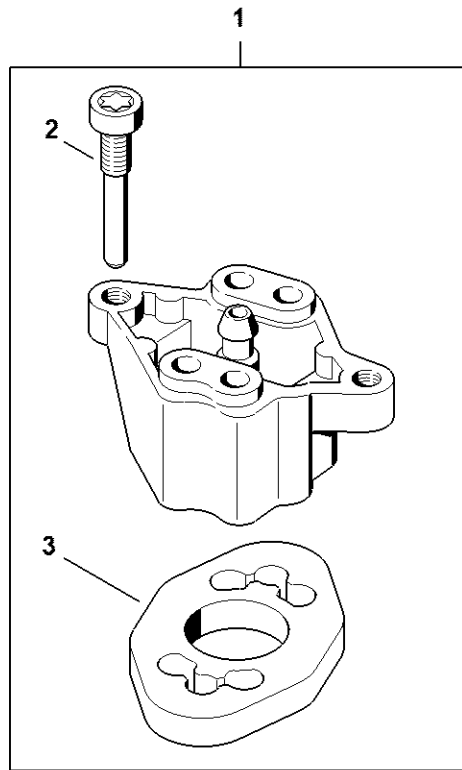


9015W131 GM

Clip

#	Part Number	Description	Quantity	Contains Item(s)	Remarks
	1123 893 9100	Clip	1		

Flange



5910-GET-0183-A1

Flange

#	Part Number	Description	Quantity	Contains Item(s)	Remarks
1	5910 850 4207	Flange	1	2, 3	
2	1128 855 9000	Screw M5x30	1		
3	5910 851 9901	Gasket	1		

Stud puller, M8

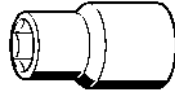


901SW209 GM

Stud puller, M8

#	Part Number	Description	Quantity	Contains Item(s)	Remarks
	5910 893 0501	Stud puller, M8	1		

Socket, 13 mm

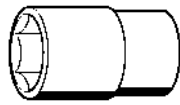


901SW217 GM

Socket, 13 mm

#	Part Number	Description	Quantity	Contains Item(s)	Remarks
	5910 893 5608	Socket, 13 mm	1		

Socket, 19 mm

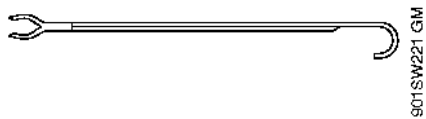


901SW219 GM

Socket, 19 mm

#	Part Number	Description	Quantity	Contains Item(s)	Remarks
	5910 893 5612	Socket, 19 mm	1		

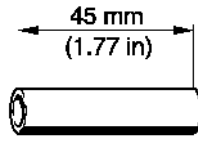
Assembly hook



Assembly hook

#	Part Number	Description	Quantity	Contains Item(s)	Remarks
	5910 893 8800	Assembly hook	1		

Sleeve

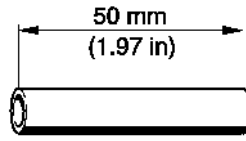


5018W276 KN

Sleeve

#	Part Number	Description	Quantity	Contains Item(s)	Remarks
	1123 851 8300	Sleeve	1		

Sleeve



501819277 KN

Sleeve

#	Part Number	Description	Quantity	Contains Item(s)	Remarks
	1124 893 7100	Sleeve	1		

Locking strip

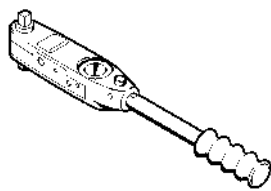


501 D-GET-0125-AD

Locking strip

#	Part Number	Description	Quantity	Contains Item(s)	Remarks
1	0000 893 5903	Locking strip	1		

Torque wrench with optical/acoustic signal

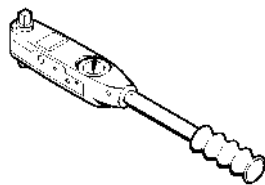


901SW290 KN

Torque wrench with optical/acoustic signal

#	Part Number	Description	Quantity	Contains Item(s)	Remarks
	5910 890 0312	Torque wrench with optical/acoustic signal	1		

Torque wrench

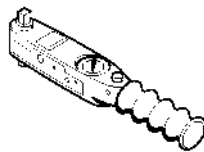


9015W251 KN

Torque wrench

#	Part Number	Description	Quantity	Contains Item(s)	Remarks
	5910 890 0311	Torque wrench	1		

Torque wrench with optical/acoustic signal

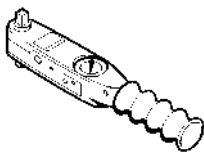


90/15W262 KN

Torque wrench with optical/acoustic signal

#	Part Number	Description	Quantity	Contains Item(s)	Remarks
		Torque wrench	1		

Torque wrench

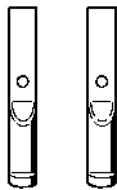


901SW28 KN

Torque wrench

#	Part Number	Description	Quantity	Contains Item(s)	Remarks
	5910 890 0301	Torque wrench	1		

Jaw (profile No. 6)

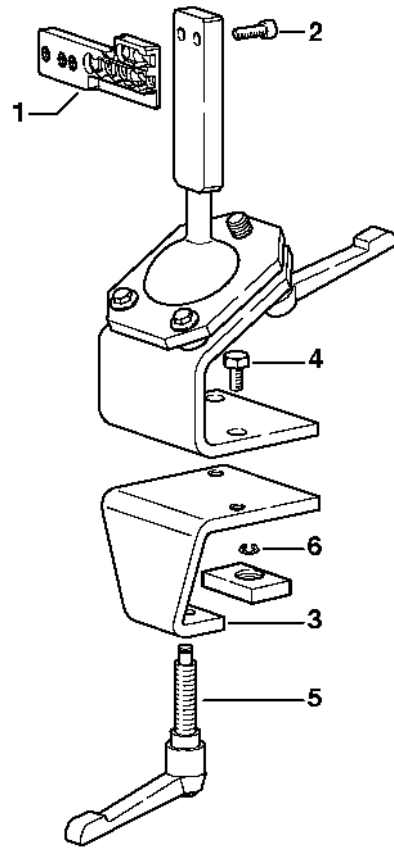


MS 210 Z

Jaw (profile No. 6)

#	Part Number	Description	Quantity	Contains Item(s)	Remarks
	0000 893 3711	Jaw (profile No. 6)	1		

Assembly stand

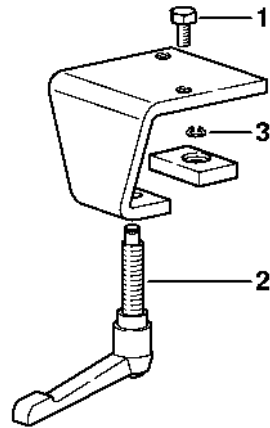


90151633 SC

Assembly stand

#	Part Number	Description	Quantity	Contains Item(s)	Remarks
	5910 890 3101	Assembly stand	1	1 - 6	
1	5910 850 1651	Support	1		
2	9045 319 2390	Socket head screw M10x25	2		
3	5910 850 2100	Clamping plate	1	4 - 6	
4	9008 319 2930	Hexagon head screw M12x20	2		
5	5910 890 1901	Clamp lever	1		
6	9455 621 0850	Circlip 10x1	1		

Clamping plate

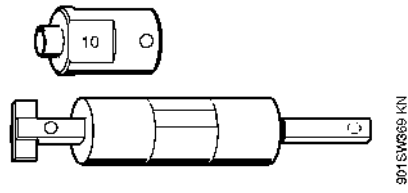


9015M364 SC

Clamping plate

#	Part Number	Description	Quantity	Contains Item(s)	Remarks
	5910 850 2100	Clamping plate	1	1 - 3	
1	9008 319 2930	Hexagon head screw M12x20	2		
2	5910 890 1901	Clamp lever	1		
3	9455 621 0850	Circlip 10x1	1		

Installing tool, 10



Installing tool, 10

#	Part Number	Description	Quantity	Contains Item(s)	Remarks
	5910 890 2210	Installing tool, 10	1		
	5910 893 1707	Sleeve	1		



90153W37E GM

Installer

#	Part Number	Description	Quantity	Contains Item(s)	Remarks
	1123 893 1500	Installer	1		

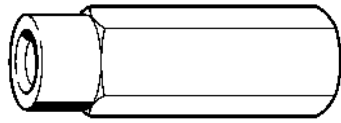


901S16377 GM

Installer

#	Part Number	Description	Quantity	Contains Item(s)	Remarks
	1123 893 1501	Installer	1		

Puller

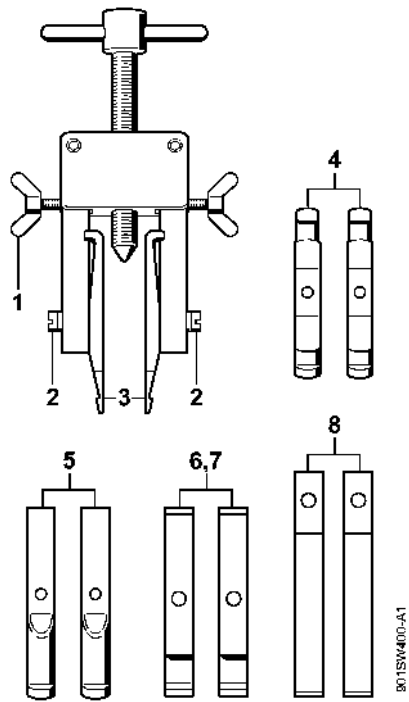


801516388 KN

Puller

#	Part Number	Description	Quantity	Contains Item(s)	Remarks
	5910 893 0801	Puller	1		

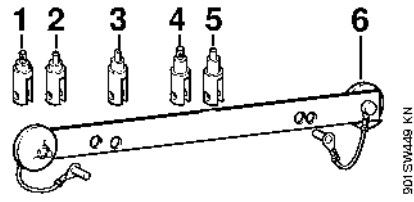
Puller



Puller

#	Part Number	Description	Quantity	Contains Item(s)	Remarks
	5910 890 4400	Puller	1	1 - 8	
1	9157 691 0980	Wing screw M5x16	2		
2	9044 319 0980	Pan head screw M5x16	2		
3	0000 893 3700	Jaw (profile No. 1 and 2)	2		
4	0000 893 3706	Jaw (profile No. 3.1 and 4)	2		
5	0000 893 3711	Jaw (profile No. 6)	2		
6	0000 893 3703	Jaw (profile No. 7)	2		
7	0000 893 3704	Jaw (profile No. 8)	2		
8	0000 893 3707	Jaw (profile No. 9)	2		

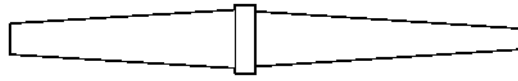
Installing tool



Installing tool

#	Part Number	Description	Quantity	Contains Item(s)	Remarks
	1123 890 2202	Installing tool	1	1 - 6	
1	1123 893 1400	Puller	1		
2	1123 893 1500	Installer	1		
3	1123 893 1501	Installer	1		
4	1130 893 1400	Puller	1		
5	1130 893 1500	Installer	1		
6	1123 893 7500	Support	1		

Nipple

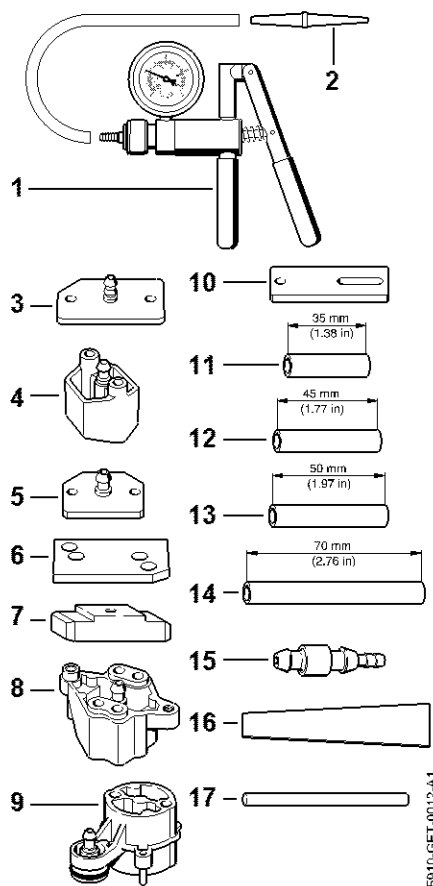


9013W496 GM

Nipple

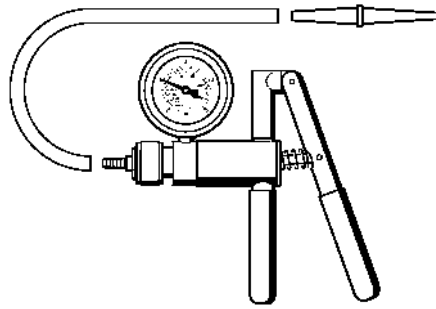
#	Part Number	Description	Quantity	Contains Item(s)	Remarks
	0000 855 9201	Nipple	1		

Testing tool kit



Testing tool kit

#	Part Number	Description	Quantity	Contains Item(s)	Remarks
	0000 890 1701	Testing tool kit	1	1 - 17	
1	0000 850 1300	Pump	1	2	
2	0000 855 9201	Nipple	1		
3	1106 850 4201	Flange	1		
4	1118 850 4200	Flange	1		
5	1119 850 4201	Test flange	1		
6	1123 855 4200	Flange	1		
7	1124 850 4205	Flange	1		
8	5910 850 4207	Flange	1		
9	4224 890 1200	Flange	1		
10	5910 855 4206	Flange	1		
11	5910 893 1702	Sleeve	2		
12	1123 851 8300	Sleeve	2		
13	1124 893 7100	Sleeve	2		
14	1127 851 8300	Sleeve	2		
15	0000 855 9200	Nipple	1		
16	0000 855 8106	Sealing plate	1		
17	1110 141 8600	Hose 135 mm / 5 5/16"	1		



901 SW498 GM

Pump

#	Part Number	Description	Quantity	Contains Item(s)	Remarks
	0000 850 1300	Pump	1		
	0000 855 9201	Nipple	1		
	0000 855 0100	Hose	1		

Stud puller, M8-7,5

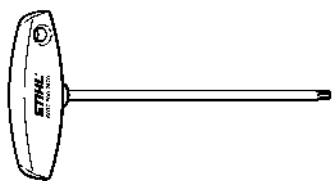


9015W502 GM

Stud puller, M8-7,5

#	Part Number	Description	Quantity	Contains Item(s)	Remarks
	5910 890 3000	Stud driver M8-7.5	1		

Screwdriver, T27x150

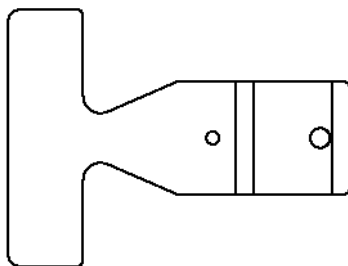


9015W575 K11

Screwdriver, T27x150

#	Part Number	Description	Quantity	Contains Item(s)	Remarks
	5910 890 2400	Screwdriver, T27x150	1		

Setting gauge



901SW605-SC

Setting gauge

#	Part Number	Description	Quantity	Contains Item(s)	Remarks
	0000 890 6401	Setting gauge	1		