

MS 200 T-Z

Spare Parts List

12/15/2023

Australia, English

Muffler with spark arrestor

Tophandle

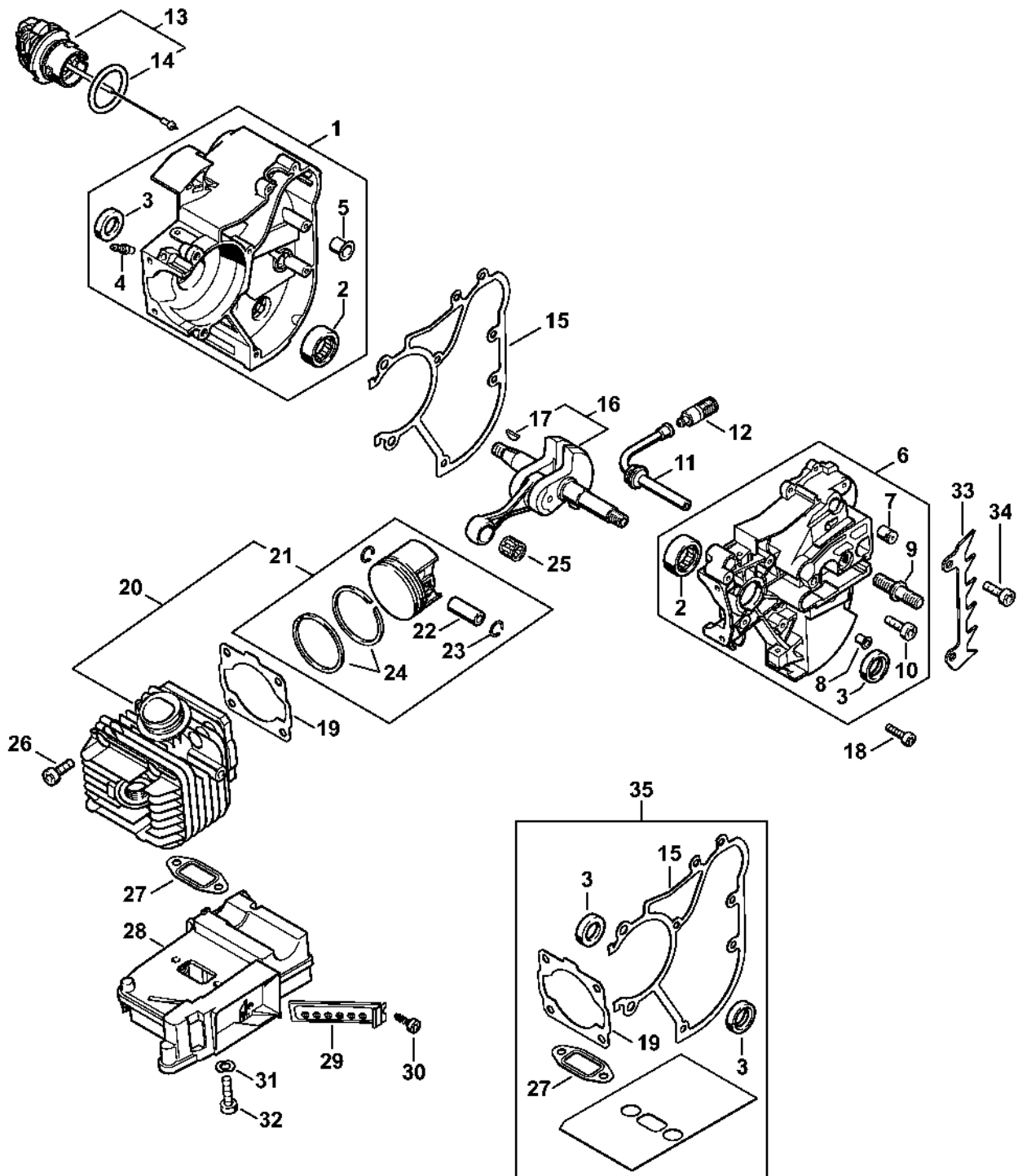
Contents

| | | | |
|---|----|--|-----|
| Crankcase, Cylinder | 3 | Socket, S19x12.5L | 59 |
| Oil pump, Clutch | 6 | Sealing plate | 61 |
| Tank housing MS 200 T | 8 | Socket, T20x125 | 63 |
| Tank housing MS 200 T | 10 | Socket, T27x125 | 65 |
| Tank housing MS 200 T (32.2005) | 12 | Hose 135 mm / 5 5/16" | 67 |
| Tank housing MS 200 T (32.2005) | 14 | Setting gauge | 69 |
| Chain sprocket cover | 16 | Installing tool | 71 |
| Ignition system, Rewind starter | 18 | Assembly tube | 73 |
| Handle housing MS 200 T | 21 | Pan head screw M5x50 | 75 |
| Air filter MS 200 T | 23 | Flange | 77 |
| Carburetor CIQ-S126 | 25 | Installing tool, 9 | 79 |
| Carburetor CIQ-S61 (41.2006), (19.2008) | 28 | Assembly hook | 81 |
| Carburetor CIQ-S61 (32.2005), (41.2006), (19.2008) | 31 | Stud puller, M8 | 83 |
| Carburetor CIQ-S32 (20.2003), (41.2006) | 34 | Socket, 13 mm | 85 |
| Tools, Extras | 37 | Assembly hook | 87 |
| Miscellaneous lubricants and greases | 39 | Sleeve | 89 |
| Press sleeve | 41 | Locking strip | 91 |
| Jaw | 43 | Setting disk | 93 |
| Installing sleeve | 45 | Torque wrench with optical/acoustic signal | 95 |
| Nipple | 47 | Torque wrench | 97 |
| Installing tool | 49 | Torque wrench with optical/acoustic signal | 99 |
| Clamping strap | 51 | Torque wrench | 101 |
| Wooden assembly block | 53 | Jaw (profile No. 3.1 and 4) | 103 |
| Assembly drift | 55 | Flange | 105 |
| Screwdriver | 57 | Assembly stand | 107 |
| | | Clamping plate | 109 |

Contents

| | |
|-------------------------------|-----|
| Puller | 111 |
| | 113 |
| Nipple | 115 |
| Testing tool kit | 117 |
| Pump | 119 |
| Screwdriver, T27x150 | 121 |
| Service tool AS | 123 |
| Screwdriver, T20 | 125 |
| Screwdriver, T27x150 | 127 |
| Screwdriver, Q-SW 8x200 | 129 |
| Setting gauge | 131 |

Crankcase, Cylinder



1125-GET-0002-A1

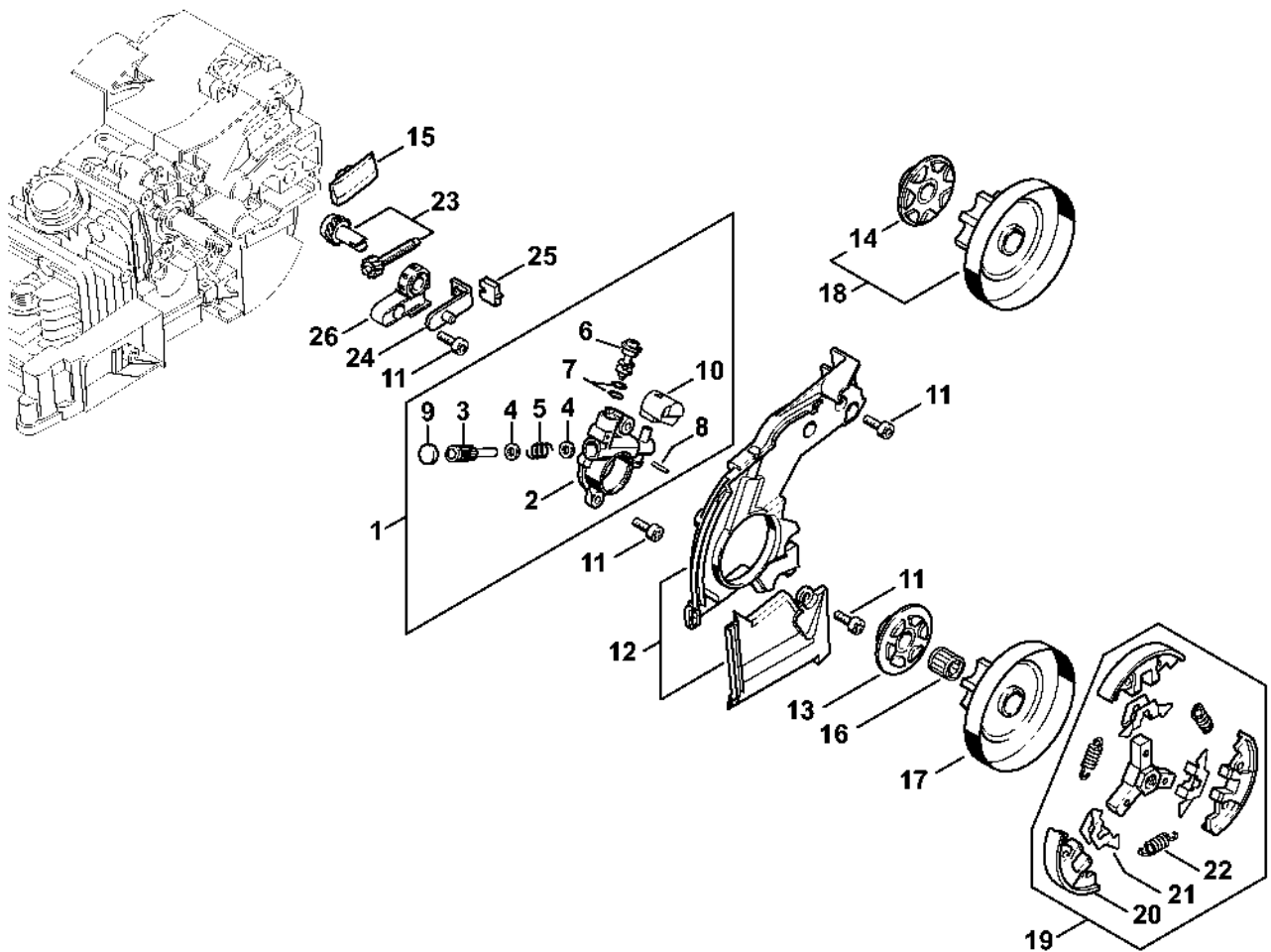
Crankcase, Cylinder

| # | Part Number | Description | Quantity | Contains Item(s) | Remarks |
|----|---------------|------------------------------|----------|------------------|---------|
| 1 | 1129 020 2601 | Crankcase | 1 | 2 - 5 | |
| 2 | 9531 003 0105 | Roller bearing 12x24.5x8.8 | 2 | | |
| 3 | 9640 003 1191 | Oil seal 12x20x5 | 2 | | |
| 4 | 0000 988 5211 | Connector | 1 | | |
| 5 | 1129 792 5500 | Bushing | 1 | | |
| 6 | 1129 020 2903 | Crankcase | 1 | 2, 3, 7 - 10 | |
| 7 | 1128 640 9100 | Valve | 1 | | |
| 8 | 9416 868 5631 | Hollow rivet 5.5x0.5x6.8 | 2 | | |
| 9 | 1129 664 2401 | Collar screw M8 | 1 | | |
| 10 | 1129 664 2400 | Collar screw | 1 | | |
| 11 | 1129 647 9400 | Hose | 1 | | |
| 12 | 1123 640 3800 | Pickup body | 1 | | |
| 13 | 0000 350 0537 | Oil filler cap | 1 | 14 | |
| 14 | 9645 948 2470 | O-ring 23x3 | 1 | | |
| 15 | 1129 029 0500 | Gasket | 1 | | |
| 16 | 1129 030 0400 | Crankshaft | 1 | 17 | |
| 17 | 1120 036 8500 | Woodruff key 2x3.7 | 1 | | |
| 18 | 9022 313 0680 | Pan head screw IS M4x16 | 8 | | |
| 19 | 1129 029 2303 | Cylinder gasket | 1 | | |
| 20 | 1129 020 1202 | Cylinder with piston Ø 40 mm | 1 | 21 - 24 | |
| 21 | 1129 030 2002 | Piston Ø 40 mm | 1 | 22 - 24 | |
| 22 | 1120 034 1501 | Piston pin 9x5x23 | 1 | | |
| 23 | 9463 650 0900 | Snap ring 9x0.8 | 2 | | |
| 24 | 1114 034 3001 | Piston ring Ø 40x1.5 mm | 2 | | |
| 25 | 9512 003 2030 | Needle cage 9x12x10 | 1 | | |
| 26 | 9022 341 0980 | Pan head screw IS M5x16 | 4 | | |
| 27 | 1129 149 0600 | Muffler gasket | 1 | | |

Crankcase, Cylinder

| # | Part Number | Description | Quantity | Contains Item(s) | Remarks |
|----|---------------|--------------------------------------|----------|------------------|---------------|
| 28 | 1129 140 0601 | Muffler | 1 | 29, 30 | USA, AUS, CDN |
| 29 | 1129 140 2000 | Insert | 1 | | USA, AUS, CDN |
| 30 | 9075 478 3015 | Pan head self-tapping screw IS-D4x15 | 1 | | USA, AUS, CDN |
| 31 | 9331 630 0120 | Conical spring washer 5 | 2 | | |
| 32 | 9022 371 1020 | Pan head screw IS M5x20 | 2 | | |
| 33 | 1129 664 0500 | Bumper spike | 1 | | |
| 34 | 9022 341 0980 | Pan head screw IS M5x16 | 2 | | |
| 35 | 1129 007 1050 | Set of gaskets | 1 | 3, 15, 19, 27 | |

Oil pump, Clutch

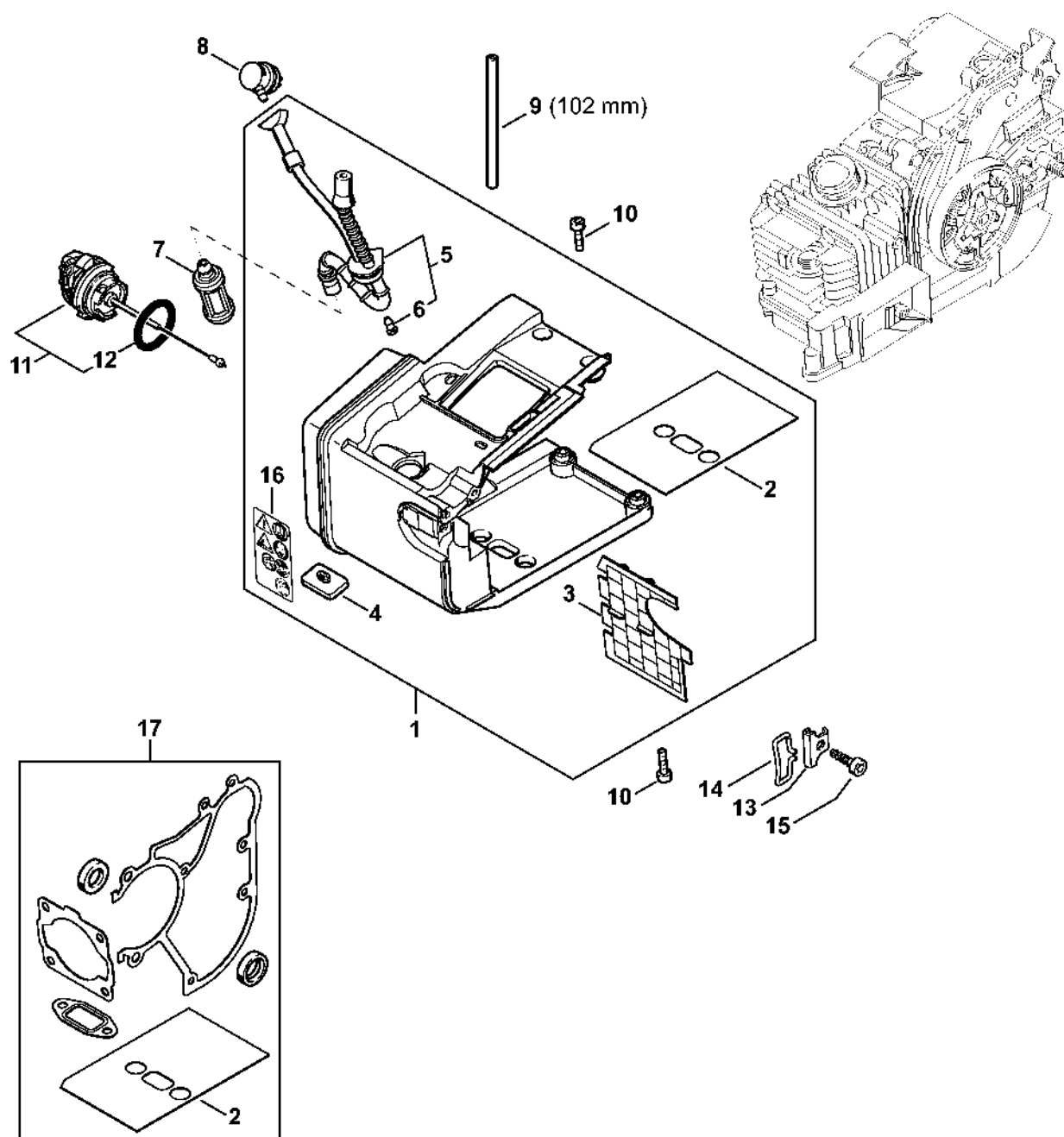


1129-GET-0027-A0

Oil pump, Clutch

| # | Part Number | Description | Quantity | Contains Item(s) | Remarks |
|----|---------------|---|----------|------------------|---------|
| 1 | 1129 640 3200 | OIL PUMP | 1 | 2 - 10 | |
| 2 | 1129 640 3000 | Pump housing | 1 | | |
| 3 | 1129 647 0600 | Pump piston | 1 | | |
| 4 | 0000 958 0407 | Washer | 2 | | |
| 5 | 0000 997 0617 | Compression spring | 1 | | |
| 6 | 1128 647 4806 | Control bolt | 1 | | |
| 7 | 9646 945 0160 | O-ring 4x2 | 2 | | |
| 8 | 9380 620 1090 | Roll pin 2x10 | 1 | | |
| 9 | 1129 647 7000 | Plug | 1 | | |
| 10 | 1129 647 5701 | Connector | 1 | | |
| 11 | 9022 313 0660 | Spline screw IS-M4x12 | 6 | | |
| 12 | 1129 020 1150 | Cover | 1 | | |
| 13 | 1129 640 7100 | Worm 3/8" Picco 6T | 1 | | |
| 14 | 1129 640 7101 | Worm gear 3/8" Picco 7T | 1 | | |
| 15 | 1123 648 6600 | Bumper strip | 2 | | |
| 16 | 9512 933 2270 | Needle cage 10x13x13 | 1 | | |
| 17 | 1129 640 2000 | Chain sprocket 3/8" Picco 6T | 1 | | |
| 18 | 1129 640 2050 | Set of spur sprocket/worm 3/8" Picco 7T | 1 | 14 | |
| 19 | 1129 160 2000 | Clutch | 1 | 20 - 22 | |
| 20 | 1129 162 0800 | Clutch shoe | 3 | | |
| 21 | 1121 162 3000 | Retainer | 3 | | |
| 22 | 0000 997 5515 | Tension spring | 3 | | |
| 23 | 1129 007 1000 | Spur gear / chain adjusting screw kit | 1 | | |
| 24 | 1129 640 1900 | Tensioner slide | 1 | | |
| 25 | 1123 664 1400 | Thrust pad | 1 | | |
| 26 | 1123 664 2200 | Cover | 1 | | |

Tank housing MS 200 T

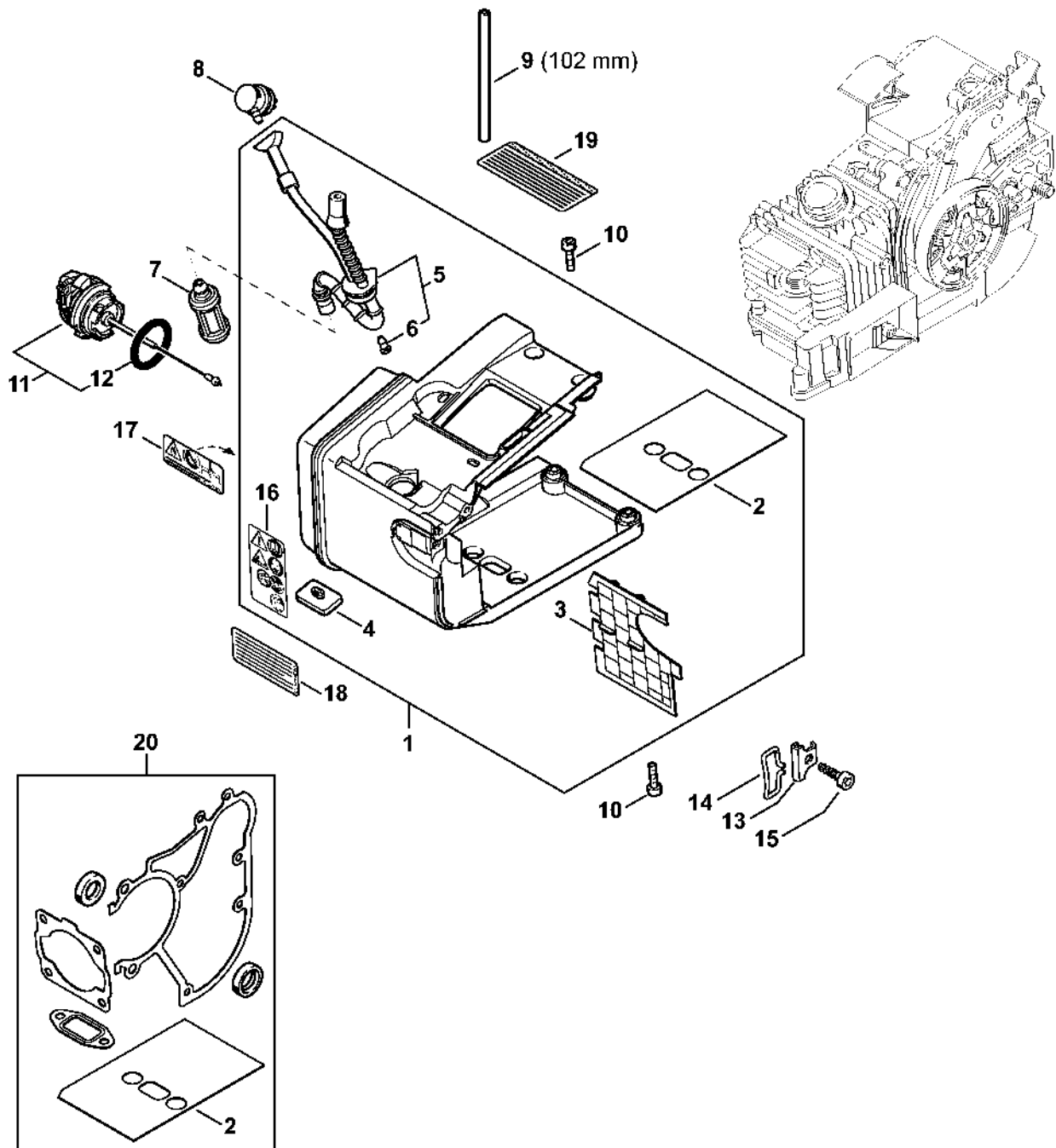


1125-GET-0023-A0

Tank housing MS 200 T

| # | Part Number | Description | Quantity | Contains Item(s) | Remarks |
|----|---------------|-------------------|----------|------------------|---------|
| 7 | 0000 350 3518 | Pickup body | 1 | | |
| 16 | 0000 967 7257 | Instruction label | 1 | | |

Tank housing MS 200 T

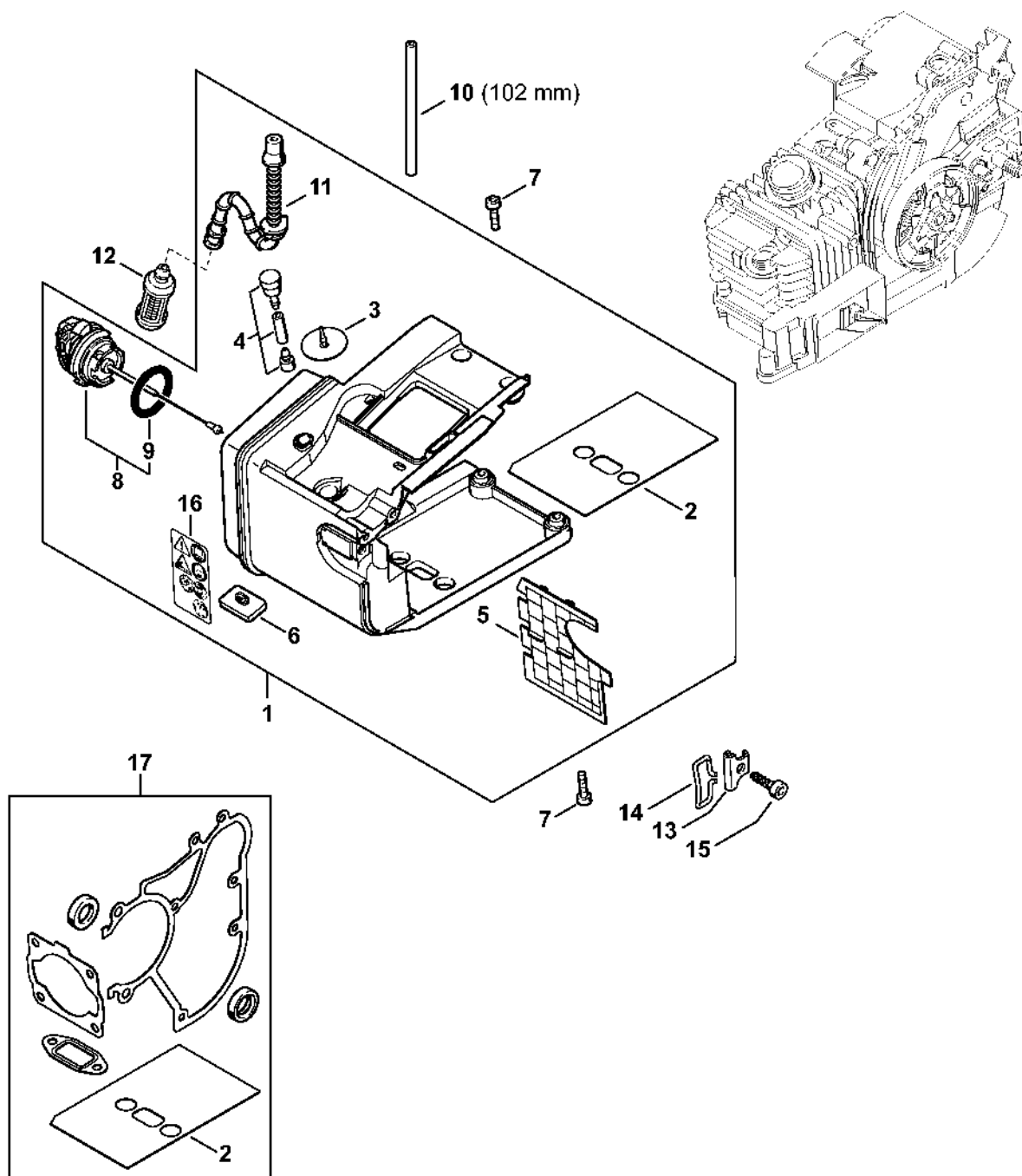


1125-GET-0029-A0

Tank housing MS 200 T

| # | Part Number | Description | Quantity | Contains Item(s) | Remarks |
|----|---------------|--------------------------------------|----------|------------------|---------|
| 1 | 1129 350 0806 | Tank housing | 1 | 2 - 6, 16 | |
| 2 | 1129 351 3000 | Reflector foil | 1 | | |
| 3 | 1129 351 4000 | Insulating plate | 1 | | |
| 4 | 1129 352 5500 | Clamp | 1 | | |
| 5 | 1129 350 3600 | Hose | 1 | 6 | |
| 6 | 1129 358 1902 | Connector | 1 | | |
| 7 | 0000 350 3504 | Pickup body | 1 | | |
| 8 | 0000 350 5802 | Tank vent | 1 | | |
| 9 | 0000 930 2803 | Hose 3.1x5.7 mm x 1 m, R3 | 1 | | |
| 10 | 9022 313 0680 | Pan head screw IS M4x16 | 4 | | |
| 11 | 0000 350 0533 | Filler cap | 1 | 12 | |
| 12 | 9645 948 7734 | O-ring 25x3.5 | 1 | | |
| 13 | 1129 352 7700 | Bracket | 1 | | |
| 14 | 1129 352 5000 | Loop | 1 | | |
| 15 | 9074 478 4435 | Pan head self-tapping screw IS-P6x19 | 1 | | |
| 17 | 0000 967 3749 | Warning pictogram Filler cap | 1 | | |
| 18 | 0000 967 3501 | Instruction label | 1 | | |
| 19 | 0000 967 4054 | Warning Spark arresting screen | 1 | | |
| 20 | 1129 007 1050 | Set of gaskets | 1 | 2 | |

Tank housing MS 200 T (32.2005)

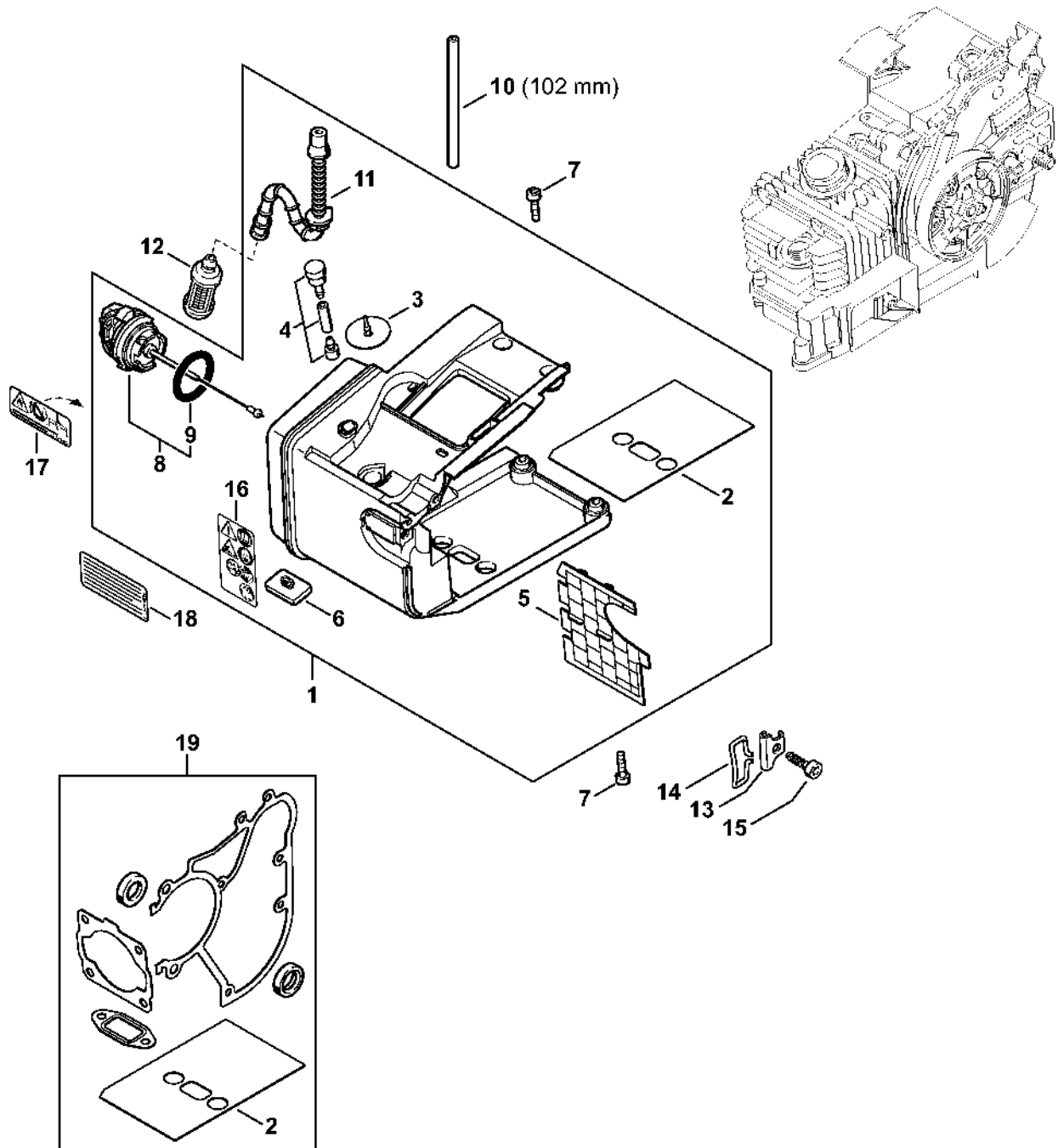


1125-GET-0030-A0

Tank housing MS 200 T (32.2005)

| # | Part Number | Description | Quantity | Contains Item(s) | Remarks |
|----|---------------|-------------------|----------|------------------|---------|
| 12 | 0000 350 3518 | Pickup body | 1 | | |
| 16 | 0000 967 7257 | Instruction label | 1 | | |

Tank housing MS 200 T (32.2005)

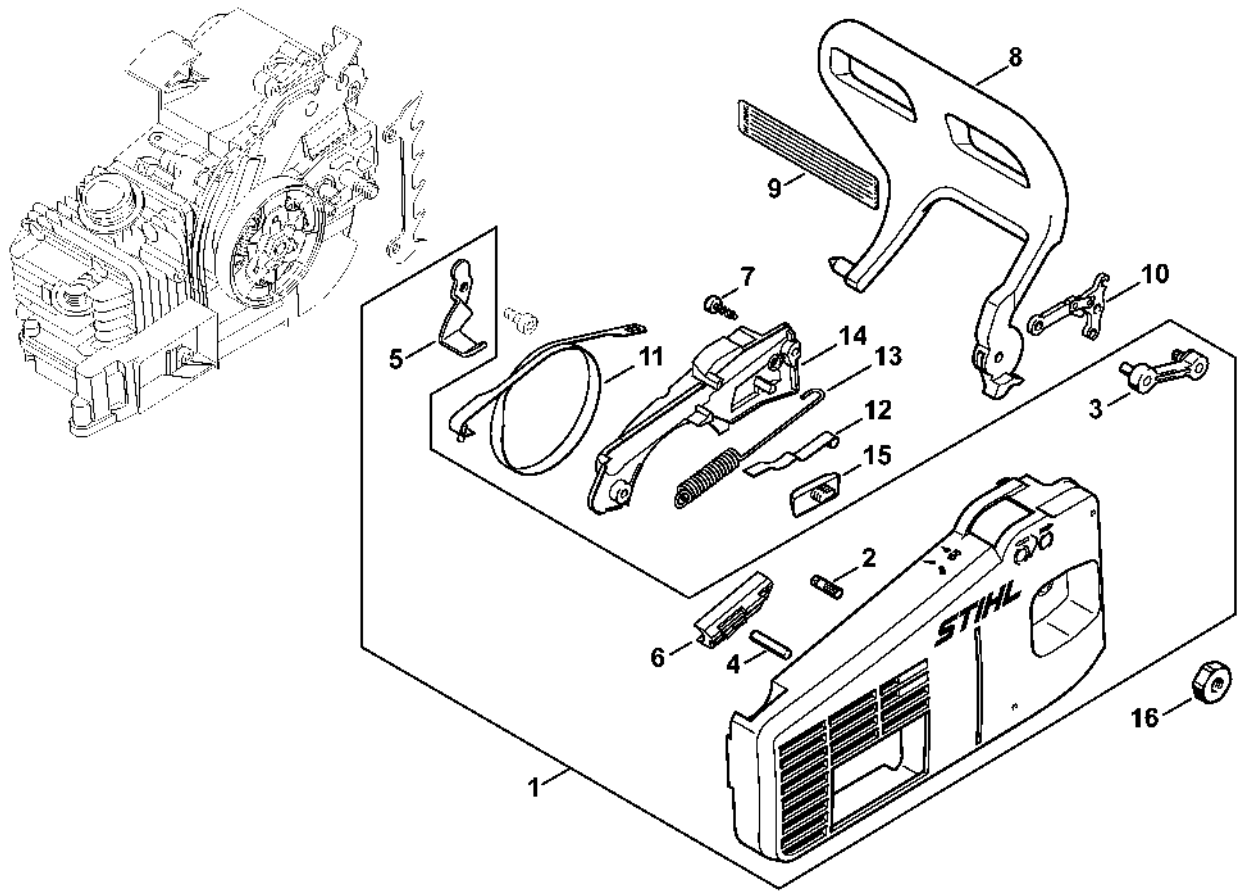


1125-GET-0031-A0

Tank housing MS 200 T (32.2005)

| # | Part Number | Description | Quantity | Contains Item(s) | Remarks |
|----|---------------|--------------------------------------|----------|---------------------|---------|
| 1 | 1129 350 0853 | Tank housing | 1 | 2 - 6, 8, 9, 11, 16 | |
| 2 | 1129 351 3000 | Reflector foil | 1 | | |
| 3 | 1110 353 1600 | Valve | 1 | | |
| 4 | 1129 350 5850 | Tank vent | 1 | | |
| 5 | 1129 351 4000 | Insulating plate | 1 | | |
| 6 | 1129 352 5500 | Clamp | 1 | | |
| 7 | 9022 313 0680 | Pan head screw IS M4x16 | 4 | | |
| 8 | 0000 350 0533 | Filler cap | 1 | 9 | |
| 9 | 9645 948 7734 | O-ring 25x3.5 | 1 | | |
| 10 | 0000 930 2803 | Hose 3.1x5.7 mm x 1 m, R3 | 1 | | |
| 11 | 1129 358 7705 | Hose | 1 | | |
| 12 | 0000 350 3504 | Pickup body | 1 | | |
| 13 | 1129 352 7700 | Bracket | 1 | | |
| 14 | 1129 352 5000 | Loop | 1 | | |
| 15 | 9074 478 4435 | Pan head self-tapping screw IS-P6x19 | 1 | | |
| 17 | 0000 967 3749 | Warning pictogram Filler cap | 1 | | |
| 18 | 0000 967 3501 | Instruction label | 1 | | |
| 19 | 1129 007 1050 | Set of gaskets | 1 | 2 | |

Chain sprocket cover

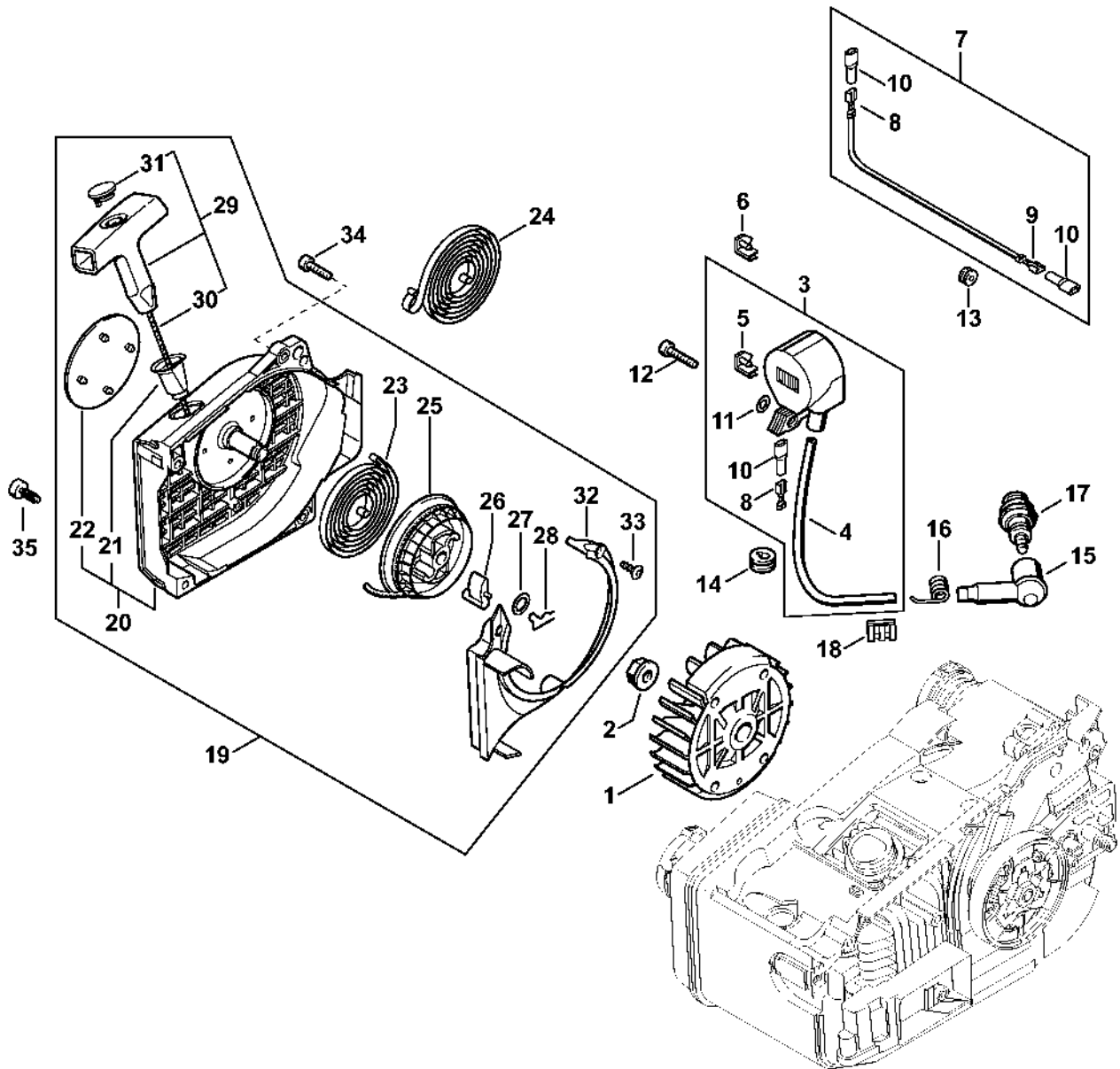


1129-GET-0033-A0

Chain sprocket cover

| # | Part Number | Description | Quantity | Contains Item(s) | Remarks |
|----|---------------|----------------------|----------|------------------|---------|
| 1 | 1129 640 1702 | Chain sprocket cover | 1 | 2 - 6 | |
| 2 | 1120 162 5200 | Pin | 1 | | |
| 3 | 1129 640 5000 | Insert | 1 | | |
| 4 | 9378 543 2700 | Notched pin 5x30 | 1 | | |
| 5 | 1129 656 7701 | Chain catcher | 1 | | |
| 6 | 1129 162 6600 | Limit stop | 1 | | |
| 7 | 9104 003 3004 | Screw IS P4x14 | 2 | | |
| 8 | 1129 792 9100 | Hand guard | 1 | | |
| 9 | 0000 967 3724 | Instruction label | 1 | | |
| 10 | 1128 160 5000 | Lever | 1 | | |
| 11 | 1123 160 5400 | Brake band | 1 | | |
| 12 | 1129 162 7800 | Flat spring | 1 | | |
| 13 | 0000 997 1018 | Tension spring | 1 | | |
| 14 | 1129 648 7700 | Cover | 1 | | |
| 15 | 1123 648 6600 | Bumper strip | 1 | | |
| 16 | 0000 955 0801 | Hexagon nut M8 | 1 | | |

Ignition system, Rewind starter



1125-GET-0012-A0

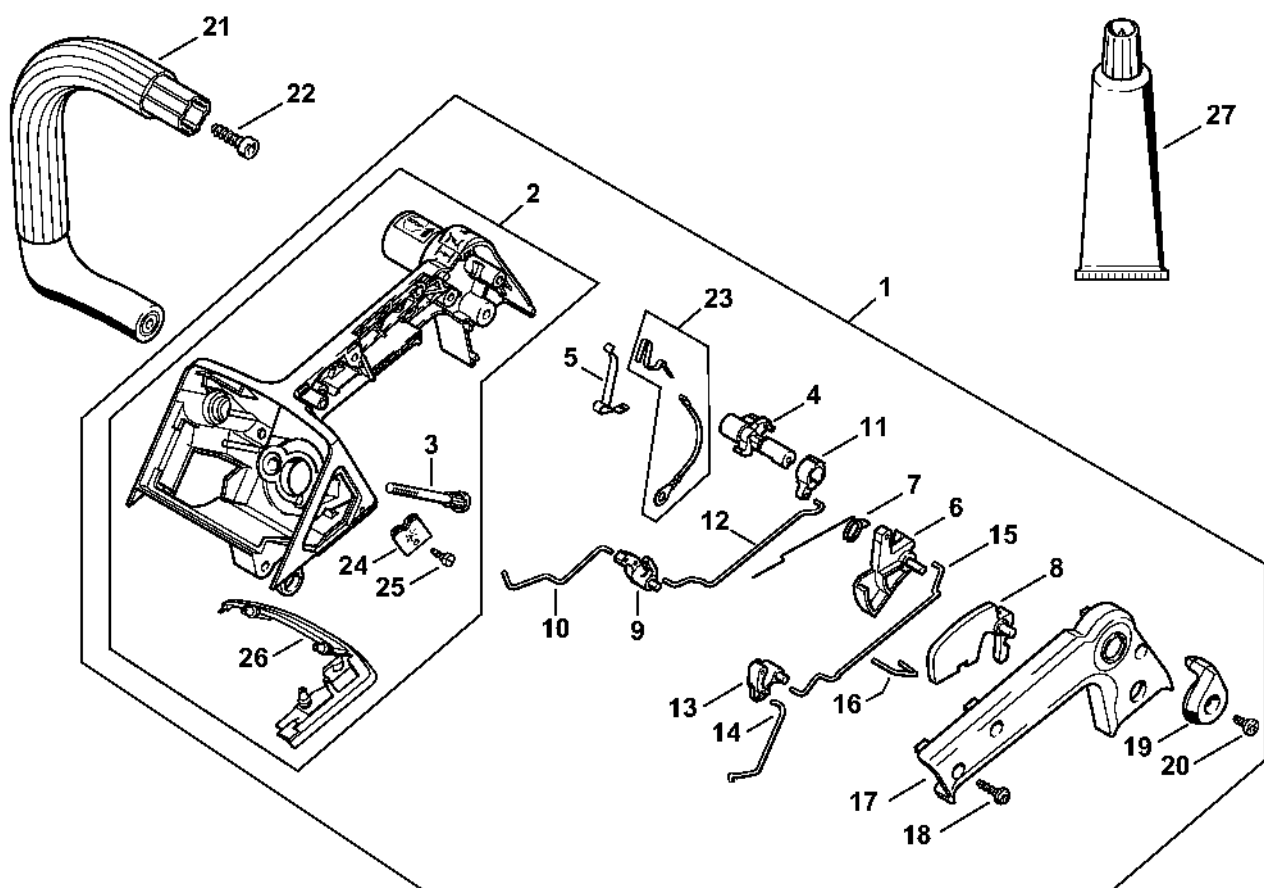
Ignition system, Rewind starter

| # | Part Number | Description | Quantity | Contains Item(s) | Remarks |
|----|---------------|---------------------------------|----------|------------------|---------|
| 1 | 1129 400 1201 | Flywheel | 1 | | |
| 2 | 0000 955 0802 | Collar nut M8x1 | 1 | | |
| 3 | 0000 400 1306 | Ignition module | 1 | 4, 5, 8, 10, 11 | |
| 4 | 0000 405 0600 | Ignition lead 1 m | 1 | | |
| 4 | 0000 930 2251 | Ignition lead 10 m | 1 | | |
| 5 | 0000 448 1203 | Lead retainer | 1 | | |
| 6 | 0000 448 1200 | Lead retainer | 1 | | |
| 7 | 1129 440 1100 | Short circuit wire | 1 | 8 - 10 | |
| 8 | 0751 030 8958 | Terminal socket 4.8-1 | 1 | | |
| 9 | 0751 030 8953 | Terminal socket 4.8-1 | 1 | | |
| 10 | 0751 030 8470 | Grommet | 2 | | |
| 11 | 9291 021 0121 | Washer 5.3 | 2 | | |
| 12 | 9022 371 0710 | Spline screw IS-M4x20 | 2 | | |
| 13 | 0000 989 0812 | Grommet | 1 | | |
| 14 | 0000 989 0810 | Grommet | 1 | | |
| 15 | 1106 405 1000 | Spark plug boot | 1 | | |
| 16 | 0000 998 0603 | Torsion spring | 1 | | |
| 17 | 1110 400 7005 | Spark plug Bosch WSR 6 F | 1 | | |
| 18 | 1130 448 1201 | Lead retainer | 1 | | |
| 19 | 1129 080 2105 | Fan housing with rewind starter | 1 | 20 - 23, 25 - 33 | |
| 20 | 1129 080 1806 | Fan housing | 1 | 21, 22 | |
| 21 | 1110 084 9102 | Bushing | 1 | | |
| 22 | 1129 967 1503 | Model plate MS 200 T | 1 | | |
| 23 | 1123 190 0600 | Rewind spring | 1 | | |
| 24 | 1129 190 0601 | Rewind spring | 1 | | |
| 25 | 1123 195 0400 | Rope rotor | 1 | | |
| 26 | 1125 195 7200 | Pawl | 1 | | |

Ignition system, Rewind starter

| # | Part Number | Description | Quantity | Contains Item(s) | Remarks |
|----|---------------|---------------------------------|----------|------------------|---------|
| 27 | 0000 958 0923 | Washer | 1 | | |
| 28 | 1118 195 3500 | Spring | 1 | | |
| 29 | 0000 190 3409 | Starter grip ElastoStart Ø 3 mm | 1 | 30, 31 | |
| 30 | 0000 195 8205 | Starter rope Ø 3x750 mm | 1 | | |
| 31 | 0000 195 7001 | Cap | 1 | | |
| 32 | 1129 084 7800 | Segment | 1 | | |
| 33 | 9104 003 8710 | Self-tapping screw P4x10 | 3 | | |
| 34 | 9022 313 0680 | Pan head screw IS M4x16 | 2 | | |
| 35 | 9074 478 4135 | Screw IS P5x20 | 2 | | |

Handle housing MS 200 T

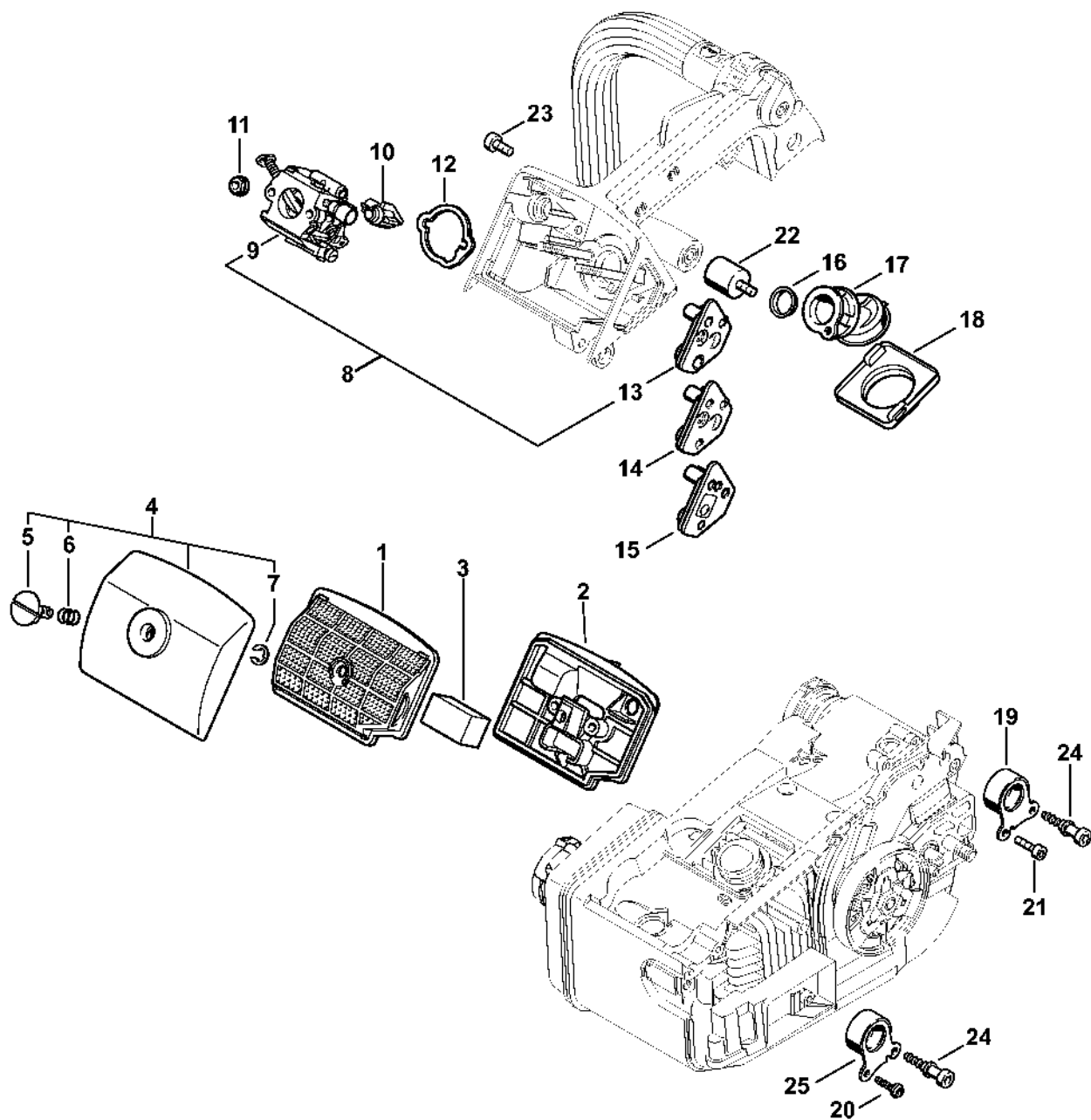


1129-GET-0035-A0

Handle housing MS 200 T

| # | Part Number | Description | Quantity | Contains Item(s) | Remarks |
|----|---------------|--|----------|------------------|----------|
| 1 | 1129 790 1018 | Handle housing | 1 | 2 - 20, 23 - 26 | |
| 2 | 1129 790 1015 | Handle housing | 1 | 3, 24 - 26 | |
| 3 | 1125 122 6600 | Collar screw | 2 | | |
| 4 | 1129 180 0900 | Switch shaft | 1 | | |
| 5 | 1129 442 1600 | Contact spring | 1 | | |
| 6 | 1132 180 1500 | Throttle trigger | 1 | | CDN |
| 7 | 1129 182 4500 | Torsion spring | 1 | | |
| 8 | 1129 182 0800 | Lockout lever | 1 | | |
| 9 | 1129 180 8000 | Double lever | 1 | | choke |
| 10 | 1129 185 1900 | Choke rod | 1 | | short |
| 11 | 1129 185 2000 | Choke lever | 1 | | |
| 12 | 1129 185 1901 | Choke rod | 1 | | long |
| 13 | 1129 180 4000 | Double lever | 1 | | throttle |
| 14 | 1129 182 1500 | Throttle rod | 1 | | short |
| 15 | 1129 182 1501 | Throttle rod | 1 | | long |
| 16 | 1129 791 4400 | Clamp | 1 | | |
| 17 | 1129 791 0600 | Handle molding | 1 | | |
| 18 | 9104 003 3004 | Screw IS P4x14 | 3 | | |
| 19 | 1129 182 5100 | Trigger switch | 1 | | |
| 20 | 9104 003 8710 | Self-tapping screw P4x10 | 1 | | |
| 21 | 1129 791 1700 | Handlebar | 1 | | |
| 22 | 9074 478 4475 | Pan head self-tapping screw IS-P6x21.5 | 1 | | |
| 23 | 1129 440 4000 | Contact spring | 1 | | |
| 24 | 1129 793 3001 | Slide | 1 | | |
| 25 | 9099 021 1760 | Self-tapping screw 2.9x9.5 | 1 | | |
| 26 | 1129 791 7502 | Cover | 1 | | |
| 27 | 0781 120 1109 | Multi-purpose grease (tube 80 g) | 1 | | |

Air filter MS 200 T

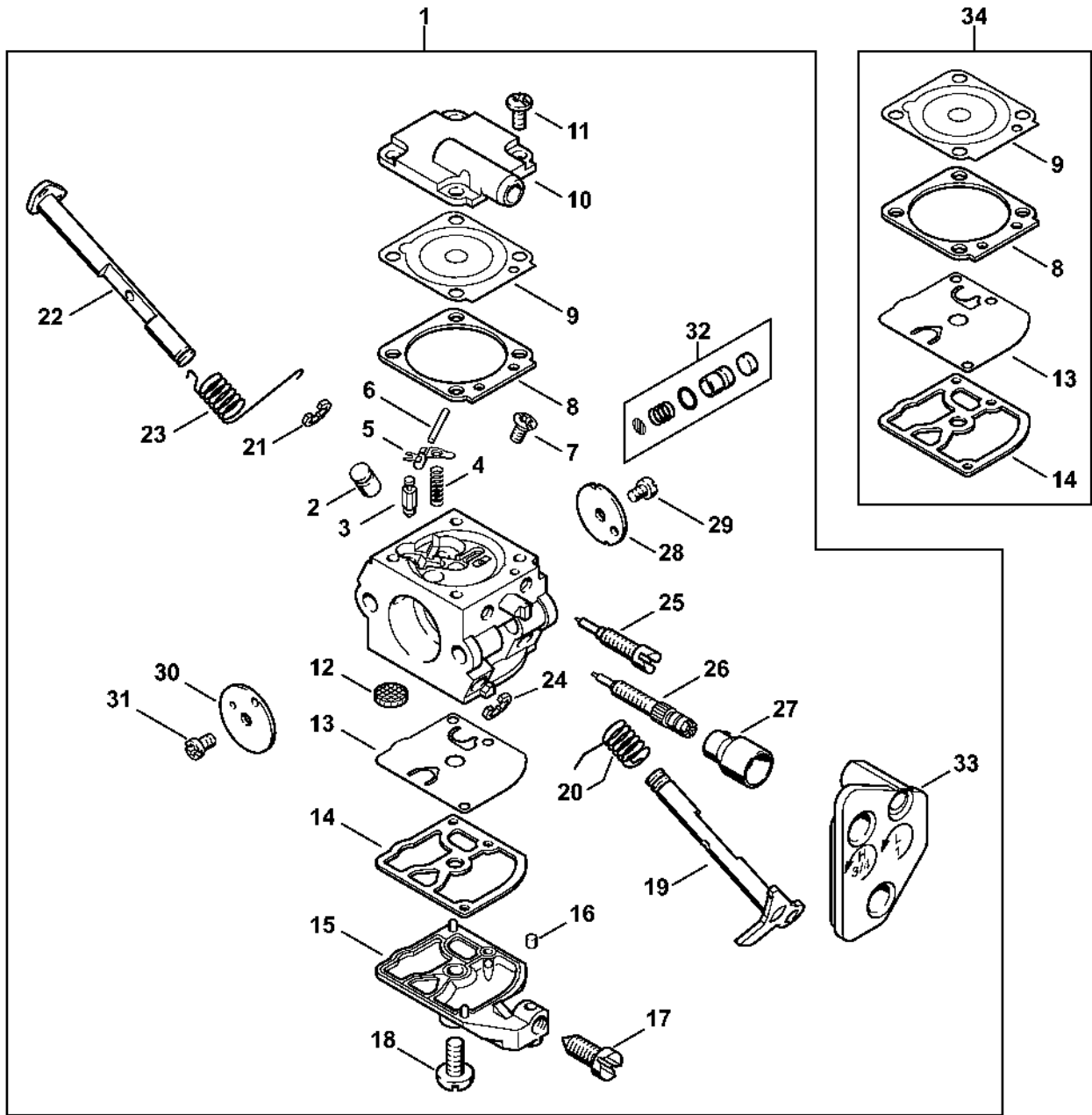


1125-GET-0037

Air filter MS 200 T

| # | Part Number | Description | Quantity | Contains Item(s) | Remarks |
|----|---------------|---|----------|------------------|---------|
| 1 | 1129 120 1607 | Air filter, fleece | 1 | | |
| 2 | 1129 120 3402 | Filter base | 1 | | |
| 3 | 1129 122 0100 | Foam insert | 1 | | |
| 4 | 1129 140 1902 | Carburetor box cover | 1 | 5 - 7 | |
| 5 | 1129 148 9200 | Twist lock | 1 | | |
| 6 | 0000 997 0927 | Compression spring | 1 | | |
| 7 | 9460 624 0500 | E-clip 5 | 1 | | |
| 8 | 1129 120 0653 | Carburetor CIQ-S126D | 1 | 13 | |
| 9 | 1129 120 0650 | Carburetor CIQ-S32B | 1 | | |
| 10 | 1129 122 3300 | Connector | 1 | | |
| 11 | 9216 261 0700 | Hexagon nut M5 | 2 | | |
| 12 | 1129 121 8600 | Washer | 1 | | |
| 13 | 1129 123 7508 | Grommet Above Serial Number: 168969483 | 1 | | |
| 14 | 1129 123 7505 | Grommet Up to Serial Number: 168897215 | 1 | | |
| 15 | 1129 123 7502 | Grommet | 1 | | |
| 16 | 1113 141 1805 | Sleeve | 1 | | |
| 17 | 1129 141 2200 | Manifold | 1 | | |
| 18 | 1129 141 3300 | Supporting plate | 1 | | |
| 19 | 1129 790 9900 | Annular buffer | 1 | | |
| 20 | 9104 003 3004 | Screw IS P4x14 | 2 | | |
| 21 | 9022 313 0680 | Pan head screw IS M4x16 | 2 | | |
| 22 | 1116 790 9600 | Annular buffer | 1 | | |
| 23 | 9022 341 0960 | Spline screw IS-M5x12 | 1 | | |
| 24 | 1129 791 6100 | Screw | 2 | | |
| 25 | 1129 790 9902 | Annular buffer | 1 | | |

Carburetor C1Q-S126



1125-GET-0040-A0

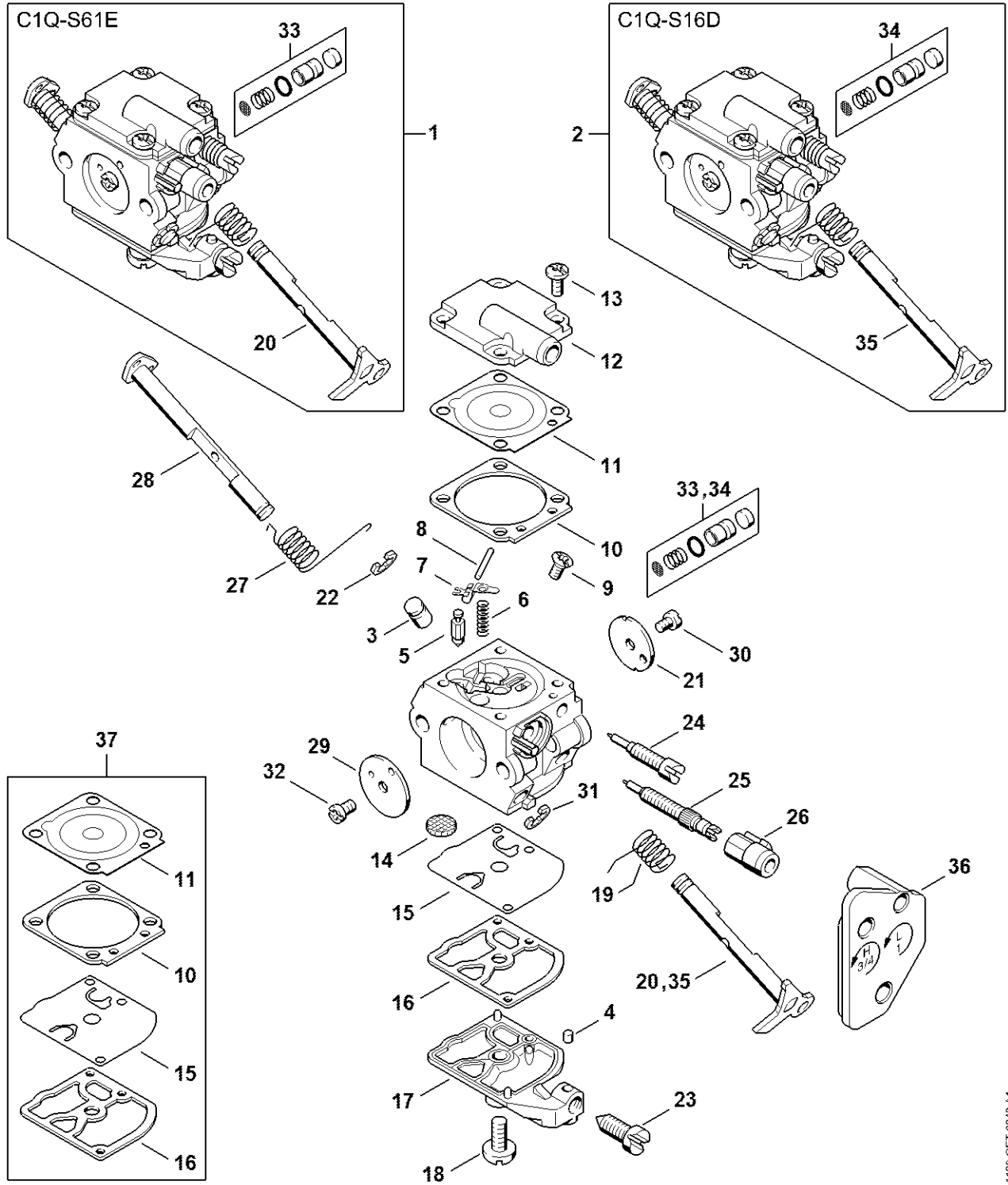
Carburetor C1Q-S126

| # | Part Number | Description | Quantity | Contains Item(s) | Remarks |
|----|---------------|---------------------------|----------|------------------|---------|
| 1 | 1129 120 0653 | Carburetor C1Q-S126D | 1 | 2 - 33 | |
| 2 | 1129 121 5406 | Valve jet | 1 | | |
| 3 | Z000 018 Z000 | Inlet needle | 1 | | |
| 4 | 1128 122 3000 | Spring | 1 | | |
| 5 | 1125 121 5000 | Inlet control lever | 1 | | |
| 6 | 1120 121 9200 | Spindle | 1 | | |
| 7 | 1120 122 6600 | Collar screw | 1 | | |
| 8 | 1129 129 0900 | Metering gasket | 1 | | |
| 9 | 0000 121 4700 | Metering diaphragm | 1 | | |
| 10 | 1129 121 0802 | End cover | 1 | | |
| 11 | 1120 122 6601 | Collar screw | 4 | | |
| 12 | 1123 121 7800 | Strainer | 1 | | |
| 13 | 1129 121 4800 | Pump diaphragm | 1 | | |
| 14 | 1123 129 0905 | Pump gasket | 1 | | |
| 15 | 1123 121 0800 | End cover | 1 | | |
| 16 | 1125 122 4200 | Clamp | 1 | | |
| 17 | 1123 122 6200 | Idle speed screw | 1 | | |
| 18 | 1120 122 7800 | Oval head screw | 1 | | |
| 19 | 1129 120 7103 | Throttle shaft with lever | 1 | | |
| 20 | 1123 122 3000 | Spring | 1 | | |
| 21 | 1125 122 9001 | E-clip | 1 | | |
| 22 | 1129 120 7201 | Choke shaft with lever | 1 | | |
| 23 | 1123 122 3203 | Torsion spring | 1 | | |
| 24 | 1125 122 9002 | E-clip | 1 | | |
| 25 | 1129 122 6803 | Low speed screw | 1 | | |
| 26 | 1137 122 6700 | High speed screw | 1 | | |
| 27 | 4229 121 2701 | Cap | 1 | | |

Carburetor C1Q-S126

| # | Part Number | Description | Quantity | Contains Item(s) | Remarks |
|----|---------------|--------------------------|----------|------------------|---------|
| 28 | 1129 121 3301 | Throttle shutter | 1 | | |
| 29 | 1120 122 7400 | Round head screw | 1 | | |
| 30 | 1129 121 2900 | Choke shutter | 1 | | |
| 31 | 1125 122 7403 | Round head screw | 1 | | |
| 32 | 1129 120 9702 | Pump piston kit | 1 | | |
| 33 | 1129 123 7508 | Grommet | 1 | | |
| 34 | 1129 007 1062 | CARBURATOR PARTS KIT 020 | 1 | 8, 9, 13, 14 | |

Carburetor C1Q-S61 (41.2006), (19.2008)



1129-GET-0042-A1

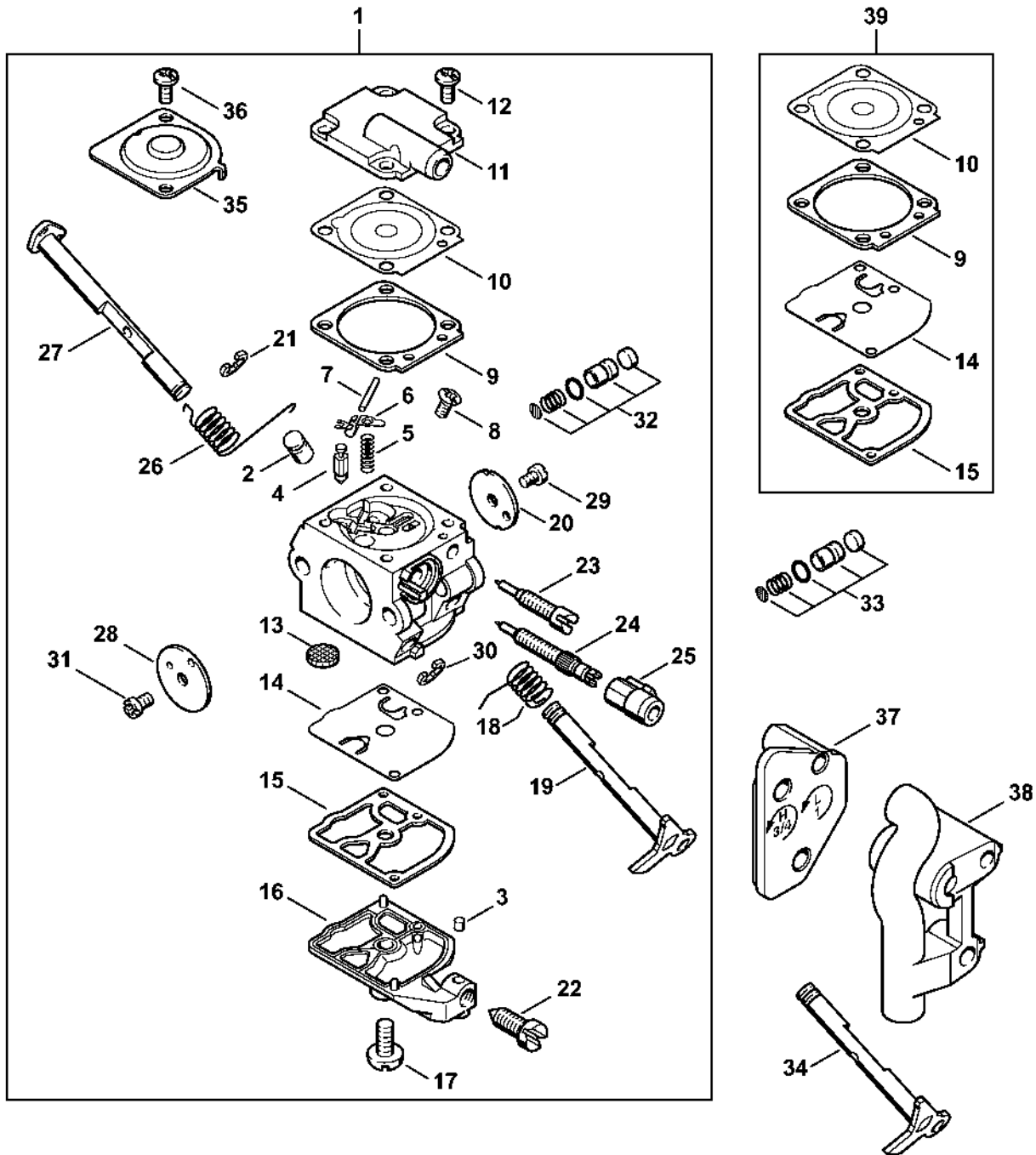
Carburetor C1Q-S61 (41.2006), (19.2008)

| # | Part Number | Description | Quantity | Contains Item(s) | Remarks |
|----|---------------|---------------------------|----------|-------------------------|---------|
| 1 | | Carburetor C1Q-S61E | 1 | 3 - 33 | |
| 2 | | Carburetor C1Q-S61D | 1 | 3 - 19, 21 - 32, 34, 35 | |
| 3 | 1129 121 5406 | Valve jet | 1 | | |
| 4 | 1125 122 4200 | Clamp | 1 | | |
| 5 | 4116 121 5100 | Inlet needle | 1 | | |
| 6 | 1128 122 3000 | Spring | 1 | | |
| 7 | 1125 121 5000 | Inlet control lever | 1 | | |
| 8 | 1120 121 9200 | Spindle | 1 | | |
| 9 | 1120 122 6600 | Collar screw | 1 | | |
| 10 | 1129 129 0900 | Metering gasket | 1 | | |
| 11 | 0000 121 4700 | Metering diaphragm | 1 | | |
| 12 | 1129 121 0802 | End cover | 1 | | |
| 13 | 1120 122 6601 | Collar screw | 4 | | |
| 14 | 1123 121 7800 | Strainer | 1 | | |
| 15 | 1129 121 4800 | Pump diaphragm | 1 | | |
| 16 | 1123 129 0905 | Pump gasket | 1 | | |
| 17 | 1123 121 0800 | End cover | 1 | | |
| 18 | 1120 122 7800 | Oval head screw | 1 | | |
| 19 | 1123 122 3000 | Spring | 1 | | |
| 20 | 1129 120 7103 | Throttle shaft with lever | 1 | | |
| 21 | 1129 121 3301 | Throttle shutter | 1 | | |
| 22 | 1125 122 9001 | E-clip | 1 | | |
| 23 | 1123 122 6200 | Idle speed screw | 1 | | |
| 24 | 1129 122 6802 | Low speed screw | 1 | | |
| 25 | 1129 122 6702 | High speed screw | 1 | | |
| 26 | 1129 121 2701 | Cap | 1 | | |

Carburetor C1Q-S61 (41.2006), (19.2008)

| # | Part Number | Description | Quantity | Contains Item(s) | Remarks |
|----|---------------|---------------------------|----------|------------------|---------|
| 27 | 1123 122 3203 | Torsion spring | 1 | | |
| 28 | 1129 120 7201 | Choke shaft with lever | 1 | | |
| 29 | 1129 121 2900 | Choke shutter | 1 | | |
| 30 | 1120 122 7400 | Round head screw | 1 | | |
| 31 | 1125 122 9002 | E-clip | 1 | | |
| 32 | 1125 122 7403 | Round head screw | 1 | | |
| 33 | 1129 120 9702 | Pump piston kit | 1 | | |
| 34 | 1129 120 9701 | Pump piston kit | 1 | | |
| 35 | 1129 120 7102 | Throttle shaft with lever | 1 | | |
| 36 | 1129 123 7505 | Grommet | 1 | | |
| 37 | 1129 007 1062 | CARBURATOR PARTS KIT 020 | 1 | 10, 11, 15, 16 | |

Carburetor C1Q-S61 (32.2005), (41.2006), (19.2008)



1129-GET-0023-A0

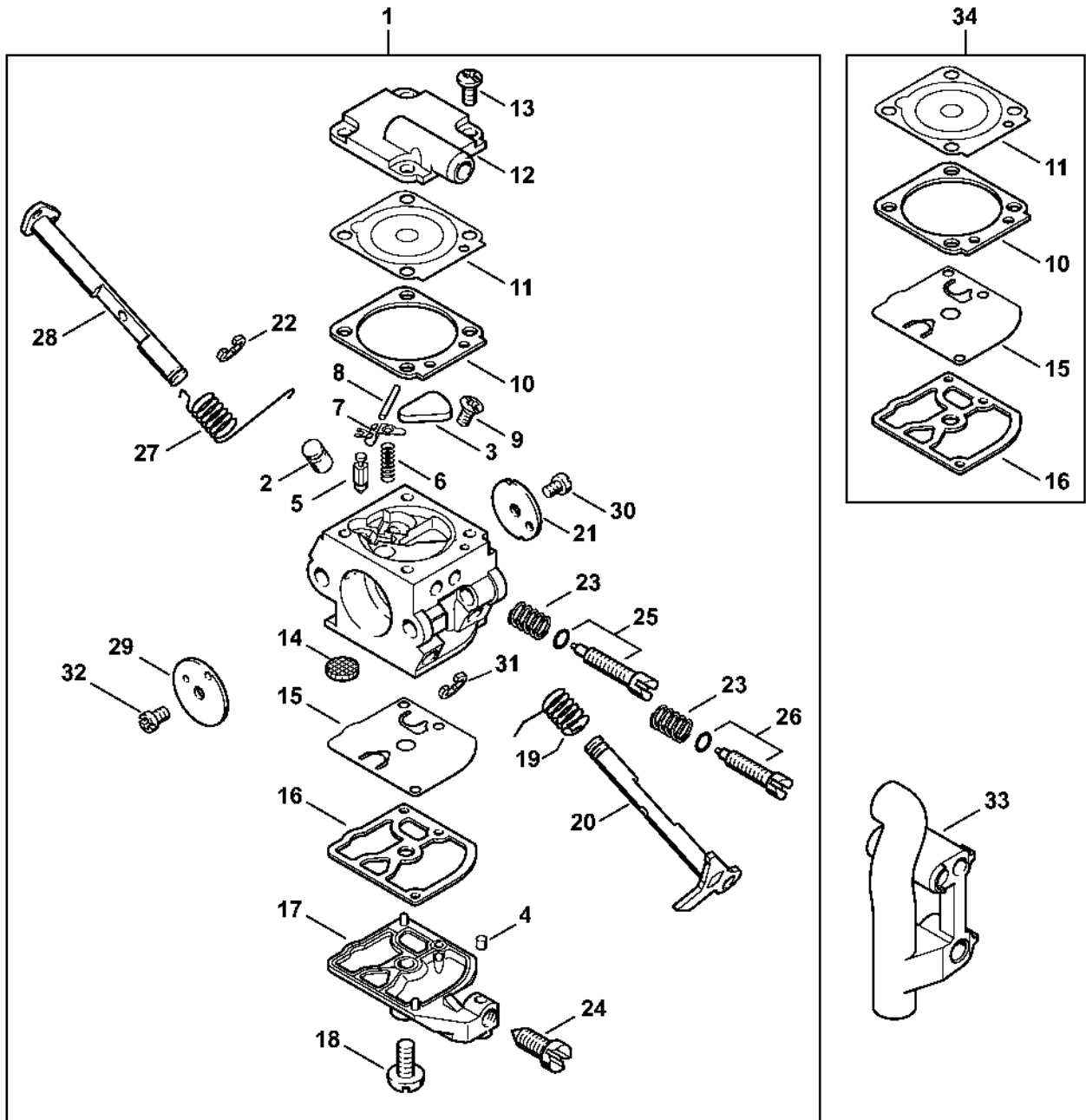
Carburetor C1Q-S61 (32.2005), (41.2006), (19.2008)

| # | Part Number | Description | Quantity | Contains Item(s) | Remarks |
|----|---------------|---------------------------|----------|------------------|---------|
| 1 | | Carburetor C1Q-S61 | 1 | 2 - 32, 35, 36 | |
| 2 | 1129 121 5406 | Valve jet | 1 | | |
| 3 | 1125 122 4200 | Clamp | 1 | | |
| 4 | 4116 121 5100 | Inlet needle | 1 | | |
| 5 | 1128 122 3000 | Spring | 1 | | |
| 6 | 1125 121 5000 | Inlet control lever | 1 | | |
| 7 | 1120 121 9200 | Spindle | 1 | | |
| 8 | 1120 122 6600 | Collar screw | 1 | | |
| 9 | 1129 129 0900 | Metering gasket | 1 | | |
| 10 | 0000 121 4700 | Metering diaphragm | 1 | | |
| 11 | 1129 121 0802 | End cover | 1 | | |
| 12 | 1120 122 6601 | Collar screw | 4 | | |
| 13 | 1123 121 7800 | Strainer | 1 | | |
| 14 | 1129 121 4800 | Pump diaphragm | 1 | | |
| 15 | 1123 129 0905 | Pump gasket | 1 | | |
| 16 | 1123 121 0800 | End cover | 1 | | |
| 17 | 1120 122 7800 | Oval head screw | 1 | | |
| 18 | 1123 122 3000 | Spring | 1 | | |
| 19 | 1129 120 7103 | Throttle shaft with lever | 1 | | |
| 20 | 1129 121 3301 | Throttle shutter | 1 | | |
| 21 | 1125 122 9001 | E-clip | 1 | | |
| 22 | 1123 122 6200 | Idle speed screw | 1 | | |
| 23 | 1129 122 6802 | Low speed screw | 1 | | |
| 24 | 1129 122 6702 | High speed screw | 1 | | |
| 25 | 1129 121 2701 | Cap | 1 | | |
| 26 | 1123 122 3203 | Torsion spring | 1 | | |
| 27 | 1129 120 7201 | Choke shaft with lever | 1 | | |

Carburetor C1Q-S61 (32.2005), (41.2006), (19.2008)

| # | Part Number | Description | Quantity | Contains Item(s) | Remarks |
|----|---------------|---------------------------|----------|------------------|---------|
| 28 | 1129 121 2900 | Choke shutter | 1 | | |
| 29 | 1120 122 7400 | Round head screw | 1 | | |
| 30 | 1125 122 9002 | E-clip | 1 | | |
| 31 | 1125 122 7403 | Round head screw | 1 | | |
| 32 | 1129 120 9702 | Pump piston kit | 1 | | |
| 33 | 1129 120 9701 | Pump piston kit | 1 | | |
| 34 | 1129 120 7102 | Throttle shaft with lever | 1 | | |
| 35 | 1129 121 0800 | End cover | 1 | | |
| 36 | 4132 122 6600 | Collar screw | 2 | | |
| 37 | 1129 123 7505 | Grommet | 1 | | |
| 38 | 1129 123 7509 | Grommet | 1 | | |
| 39 | 1129 007 1062 | CARBURATOR PARTS KIT 020 | 1 | 9, 10, 14, 15 | |

Carburetor C1Q-S32 (20.2003), (41.2006)



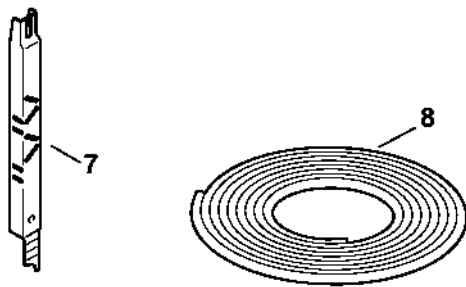
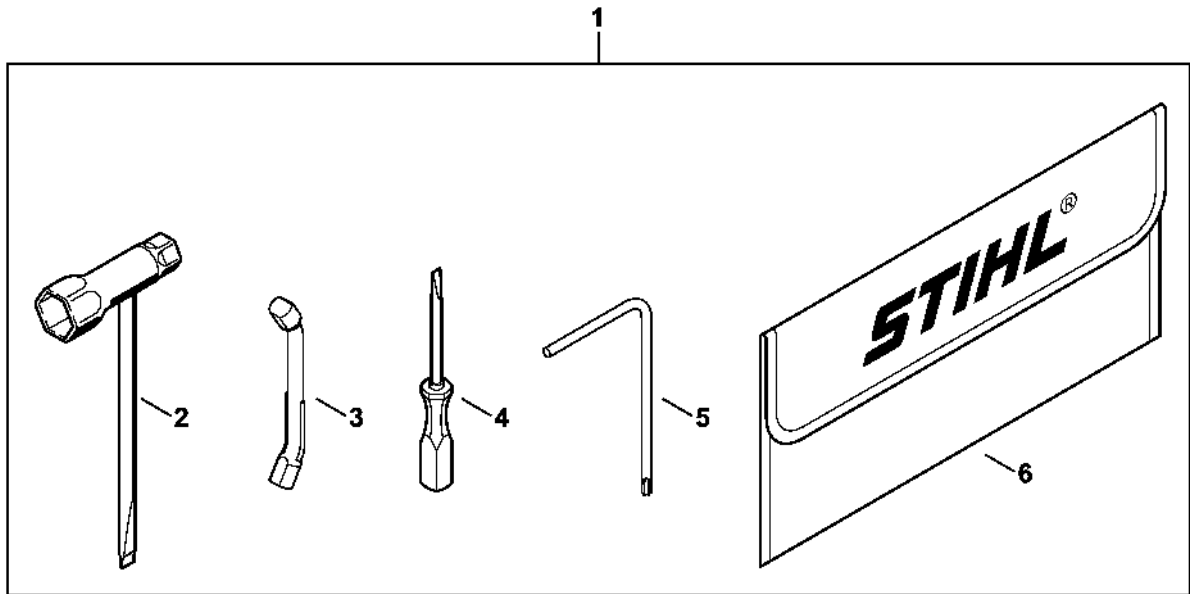
1129-GET-0024-A0

Carburetor C1Q-S32 (20.2003), (41.2006)

| # | Part Number | Description | Quantity | Contains Item(s) | Remarks |
|----|---------------|---------------------------|----------|------------------|---------|
| 1 | 1129 120 0650 | Carburetor C1Q-S32B | 1 | 2 - 32 | |
| 2 | 1129 121 5400 | Valve jet | 1 | | |
| 3 | 1123 121 0700 | Cup plug | 1 | | |
| 4 | 1125 122 4200 | Clamp | 1 | | |
| 5 | Z000 018 Z000 | Inlet needle | 1 | | |
| 6 | 1128 122 3000 | Spring | 1 | | |
| 7 | 1125 121 5000 | Inlet control lever | 1 | | |
| 8 | 1120 121 9200 | Spindle | 1 | | |
| 9 | 1120 122 6600 | Collar screw | 1 | | |
| 10 | 1129 129 0900 | Metering gasket | 1 | | |
| 11 | 0000 121 4700 | Metering diaphragm | 1 | | |
| 12 | 1129 121 0802 | End cover | 1 | | |
| 13 | 1120 122 6601 | Collar screw | 4 | | |
| 14 | 1123 121 7800 | Strainer | 1 | | |
| 15 | 1129 121 4800 | Pump diaphragm | 1 | | |
| 16 | 1123 129 0905 | Pump gasket | 1 | | |
| 17 | 1123 121 0800 | End cover | 1 | | |
| 18 | 1120 122 7800 | Oval head screw | 1 | | |
| 19 | 1123 122 3000 | Spring | 1 | | |
| 20 | 1129 120 7100 | Throttle shaft with lever | 1 | | |
| 21 | 1123 121 3300 | Throttle shutter | 1 | | |
| 22 | 1125 122 9001 | E-clip | 1 | | |
| 23 | 1120 122 3005 | Spring | 2 | | |
| 24 | 1123 122 6200 | Idle speed screw | 1 | | |
| 25 | 1129 122 6801 | Low speed screw | 1 | | |
| 26 | 1129 122 6701 | High speed screw | 1 | | |
| 27 | 1123 122 3200 | Torsion spring | 1 | | |

Carburetor C1Q-S32 (20.2003), (41.2006)

| # | Part Number | Description | Quantity | Contains Item(s) | Remarks |
|----|---------------|--------------------------|----------|------------------|---------|
| 28 | 1129 120 7201 | Choke shaft with lever | 1 | | |
| 29 | 1129 121 2900 | Choke shutter | 1 | | |
| 30 | 1120 122 7400 | Round head screw | 1 | | |
| 31 | 1125 122 9002 | E-clip | 1 | | |
| 32 | 1125 122 7403 | Round head screw | 1 | | |
| 33 | 1129 123 7504 | Grommet | 1 | | |
| 34 | 1129 007 1062 | CARBURATOR PARTS KIT 020 | 1 | 10, 11, 15, 16 | |

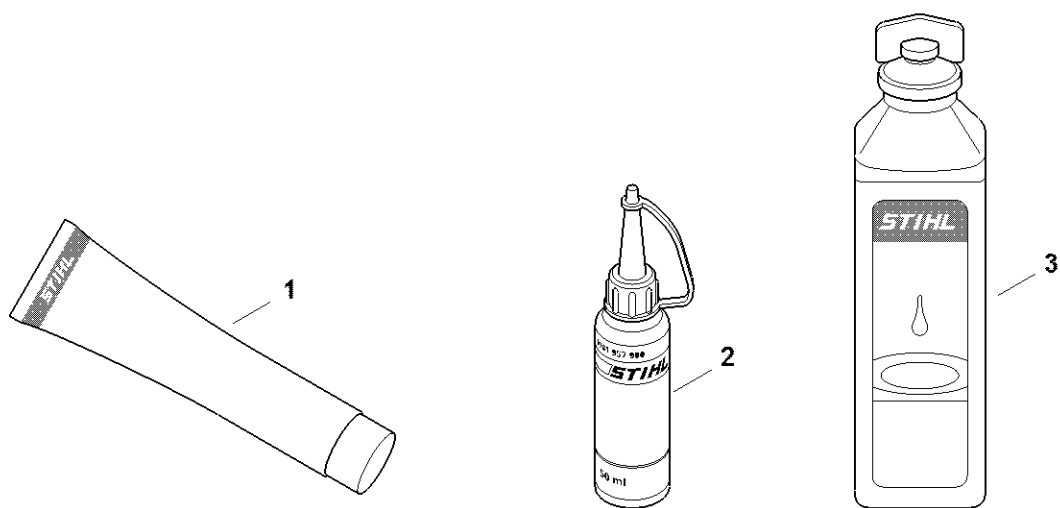


1129-GET-0025-A0

Tools, Extras

| # | Part Number | Description | Quantity | Contains Item(s) | Remarks |
|---|---------------|------------------------|----------|------------------|---------|
| 1 | 1129 890 1400 | Tool kit | 1 | 2 - 6 | |
| 2 | 1129 890 3401 | Combination wrench | 1 | | |
| 3 | 0000 893 5903 | Locking strip | 1 | | |
| 4 | 0000 890 2300 | Screwdriver | 1 | | |
| 5 | 0812 370 1000 | Screwdriver T27x120x70 | 1 | | |
| 6 | 0000 891 0810 | Tool roll | 1 | | |
| 7 | 1110 893 4000 | Filing gauge | 1 | | |
| 8 | 0751 010 1110 | Cable 10 m | 1 | | |

Miscellaneous lubricants and greases



0000-GET-0170-A0

Miscellaneous lubricants and greases

| # | Part Number | Description | Quantity | Contains Item(s) | Remarks |
|---|---------------|----------------------------------|----------|------------------|---------|
| 1 | 0781 120 1021 | Multi-purpose grease (tube 40 g) | 1 | | |
| 1 | 0781 120 1109 | Multi-purpose grease (tube 80 g) | 1 | | |
| 1 | 0781 120 1110 | Multipurpose grease 225 g | 1 | | |
| 2 | 0781 957 9000 | Press fluid OH 723 | 1 | | |
| 3 | 0781 319 8401 | HP 100ml | 1 | | |
| 3 | 0781 319 8052 | HP Super 100ml | 1 | | |
| 3 | 0781 319 8060 | HP Ultra 100ml | 1 | | |

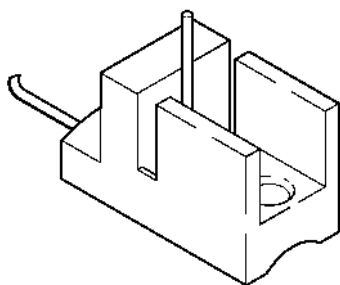
Press sleeve



901SW004 GM

Press sleeve

| # | Part Number | Description | Quantity | Contains Item(s) | Remarks |
|---|---------------|--------------|----------|------------------|---------|
| | 1129 893 2400 | Press sleeve | 1 | | |

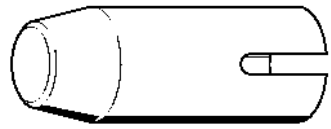


901SW005 GM

Jaw

| # | Part Number | Description | Quantity | Contains Item(s) | Remarks |
|---|---------------|-------------|----------|------------------|---------|
| | 0000 890 3700 | Jaw | 1 | | |

Installing sleeve

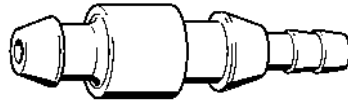


901SW007 GM

Installing sleeve

| # | Part Number | Description | Quantity | Contains Item(s) | Remarks |
|---|---------------|-------------------|----------|------------------|---------|
| | 1129 893 4600 | Installing sleeve | 1 | | |

Nipple



9015W008.GM

Nipple

| # | Part Number | Description | Quantity | Contains Item(s) | Remarks |
|---|---------------|-------------|----------|------------------|---------|
| | 0000 855 9200 | Nipple | 1 | | |

Installing tool

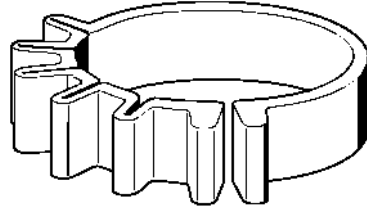


9015W009 GM

Installing tool

| # | Part Number | Description | Quantity | Contains Item(s) | Remarks |
|---|---------------|-----------------|----------|------------------|---------|
| | 0000 890 2201 | Installing tool | 1 | | |
| | 9210 319 0900 | Hexagon nut M6 | 1 | | |

Clamping strap



901SW011 GM

Clamping strap

| # | Part Number | Description | Quantity | Contains Item(s) | Remarks |
|---|---------------|----------------|----------|------------------|---------|
| | 0000 893 2600 | Clamping strap | 1 | | |

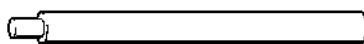
Wooden assembly block



9015W022.GM

Wooden assembly block

| # | Part Number | Description | Quantity | Contains Item(s) | Remarks |
|---|---------------|-----------------------|----------|------------------|---------|
| | 1108 893 4800 | Wooden assembly block | 1 | | |

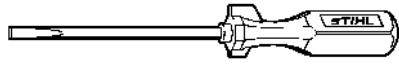


901SW047 GM

Assembly drift

| # | Part Number | Description | Quantity | Contains Item(s) | Remarks |
|---|---------------|----------------|----------|------------------|---------|
| | 1114 893 4700 | Assembly drift | 1 | | |

Screwdriver



901SW072 GM

Screwdriver

| # | Part Number | Description | Quantity | Contains Item(s) | Remarks |
|---|---------------|-------------|----------|------------------|---------|
| | 5910 890 2305 | Screwdriver | 1 | | |

Socket, S19x12.5L



901SW073 GM

Socket, S19x12.5L

| # | Part Number | Description | Quantity | Contains Item(s) | Remarks |
|---|---------------|-------------------|----------|------------------|---------|
| | 5910 893 5613 | Socket, S19x12.5L | 1 | | |

Sealing plate

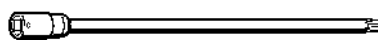


901SW078-GM

Sealing plate

| # | Part Number | Description | Quantity | Contains Item(s) | Remarks |
|---|---------------|---------------|----------|------------------|---------|
| | 0000 855 8106 | Sealing plate | 1 | | |

Socket, T20x125

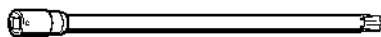


9015W090 GM

Socket, T20x125

| # | Part Number | Description | Quantity | Contains Item(s) | Remarks |
|---|---------------|--|----------|------------------|---------|
| | 0812 542 2041 | Driver bit, 1/4" square drive, T20x125 | 1 | | |

Socket, T27x125

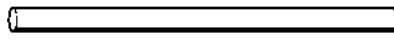


9015W091 GM

Socket, T27x125

| # | Part Number | Description | Quantity | Contains Item(s) | Remarks |
|---|---------------|--|----------|------------------|---------|
| | 0812 542 2104 | Driver bit, 1/4" square drive, T27x125 | 1 | | |

Hose 135 mm / 5 5/16"

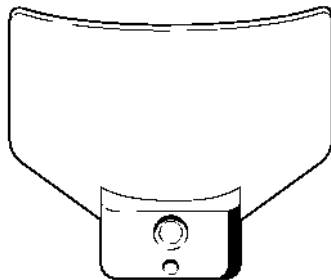


901SW100 GM

Hose 135 mm / 5 5/16"

| # | Part Number | Description | Quantity | Contains Item(s) | Remarks |
|---|---------------|-----------------------|----------|------------------|---------|
| | 1110 141 8600 | Hose 135 mm / 5 5/16" | 1 | | |

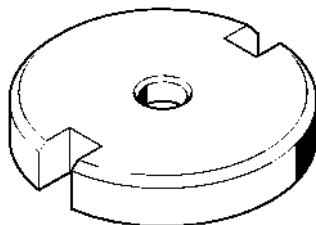
Setting gauge



901SW107 GM

Setting gauge

| # | Part Number | Description | Quantity | Contains Item(s) | Remarks |
|---|---------------|---------------|----------|------------------|---------|
| | 1111 890 6400 | Setting gauge | 1 | | |



901SW11 GM

Installing tool

| # | Part Number | Description | Quantity | Contains Item(s) | Remarks |
|---|---------------|-----------------|----------|------------------|---------|
| | 1116 893 4800 | Installing tool | 1 | | |

Assembly tube

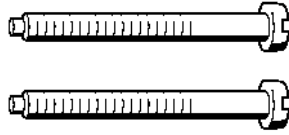


901SW112.GM

Assembly tube

| # | Part Number | Description | Quantity | Contains Item(s) | Remarks |
|---|---------------|---------------|----------|------------------|---------|
| | 1117 890 0900 | Assembly tube | 1 | | |

Pan head screw M5x50

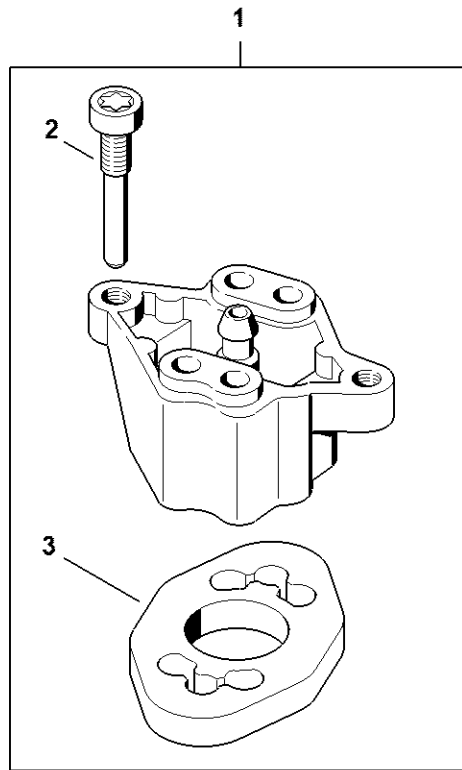


9015W115 GM

Pan head screw M5x50

| # | Part Number | Description | Quantity | Contains Item(s) | Remarks |
|---|---------------|----------------------|----------|------------------|---------|
| | 9043 319 8100 | Pan head screw M5x50 | 1 | | |

Flange

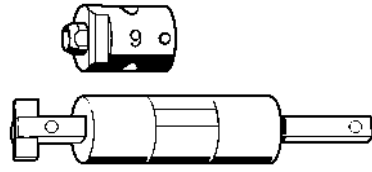


5910-GET-0183-A1

Flange

| # | Part Number | Description | Quantity | Contains Item(s) | Remarks |
|---|---------------|-------------|----------|------------------|---------|
| 1 | 5910 850 4207 | Flange | 1 | 2, 3 | |
| 2 | 1128 855 9000 | Screw M5x30 | 1 | | |
| 3 | 5910 851 9901 | Gasket | 1 | | |

Installing tool, 9

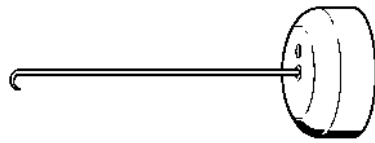


6910-GSN-0002-AD

Installing tool, 9

| # | Part Number | Description | Quantity | Contains Item(s) | Remarks |
|---|---------------|--------------------|----------|------------------|---------|
| | 5910 890 2209 | Installing tool, 9 | 1 | | |
| | 5910 893 1713 | Sleeve | 1 | | |

Assembly hook



901SW205 GM

Assembly hook

| # | Part Number | Description | Quantity | Contains Item(s) | Remarks |
|---|---------------|---------------|----------|------------------|---------|
| | 5910 890 2800 | Assembly hook | 1 | | |

Stud puller, M8

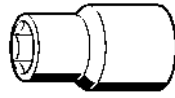


901SW209 GM

Stud puller, M8

| # | Part Number | Description | Quantity | Contains Item(s) | Remarks |
|---|---------------|-----------------|----------|------------------|---------|
| | 5910 893 0501 | Stud puller, M8 | 1 | | |

Socket, 13 mm

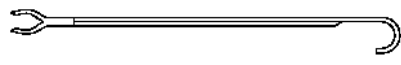


901SW217 GM

Socket, 13 mm

| # | Part Number | Description | Quantity | Contains Item(s) | Remarks |
|---|---------------|---------------|----------|------------------|---------|
| | 5910 893 5608 | Socket, 13 mm | 1 | | |

Assembly hook

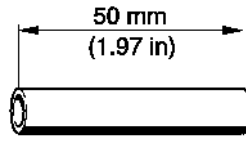


901SW221 GM

Assembly hook

| # | Part Number | Description | Quantity | Contains Item(s) | Remarks |
|---|---------------|---------------|----------|------------------|---------|
| | 5910 893 8800 | Assembly hook | 1 | | |

Sleeve



501819277 KN

Sleeve

| # | Part Number | Description | Quantity | Contains Item(s) | Remarks |
|---|---------------|-------------|----------|------------------|---------|
| | 1124 893 7100 | Sleeve | 1 | | |

Locking strip

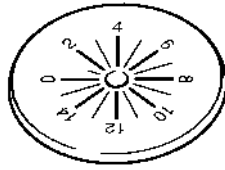


581 D-GET-0125-AD

Locking strip

| # | Part Number | Description | Quantity | Contains Item(s) | Remarks |
|---|---------------|---------------|----------|------------------|---------|
| 1 | 0000 893 5903 | Locking strip | 1 | | |

Setting disk

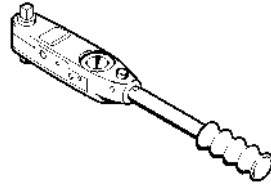


901SW287 KN

Setting disk

| # | Part Number | Description | Quantity | Contains Item(s) | Remarks |
|---|---------------|--------------|----------|------------------|---------|
| | 5910 893 6600 | Setting disk | 1 | | |

Torque wrench with optical/acoustic signal

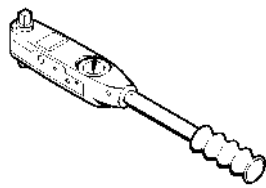


901SW290 KN

Torque wrench with optical/acoustic signal

| # | Part Number | Description | Quantity | Contains Item(s) | Remarks |
|---|---------------|--|----------|------------------|---------|
| | 5910 890 0312 | Torque wrench with optical/acoustic signal | 1 | | |

Torque wrench

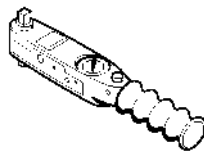


9015W251 KN

Torque wrench

| # | Part Number | Description | Quantity | Contains Item(s) | Remarks |
|---|---------------|---------------|----------|------------------|---------|
| | 5910 890 0311 | Torque wrench | 1 | | |

Torque wrench with optical/acoustic signal

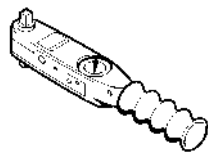


90/15W262 KN

Torque wrench with optical/acoustic signal

| # | Part Number | Description | Quantity | Contains Item(s) | Remarks |
|---|-------------|---------------|----------|------------------|---------|
| | | Torque wrench | 1 | | |

Torque wrench

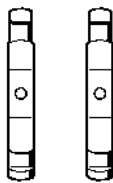


901SW28 KN

Torque wrench

| # | Part Number | Description | Quantity | Contains Item(s) | Remarks |
|---|---------------|---------------|----------|------------------|---------|
| | 5910 890 0301 | Torque wrench | 1 | | |

Jaw (profile No. 3.1 and 4)

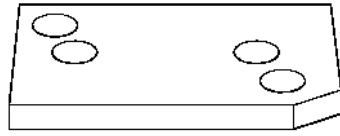


9013W392 C14

Jaw (profile No. 3.1 and 4)

| # | Part Number | Description | Quantity | Contains Item(s) | Remarks |
|---|---------------|-----------------------------|----------|------------------|---------|
| | 0000 893 3706 | Jaw (profile No. 3.1 and 4) | 1 | | |

Flange

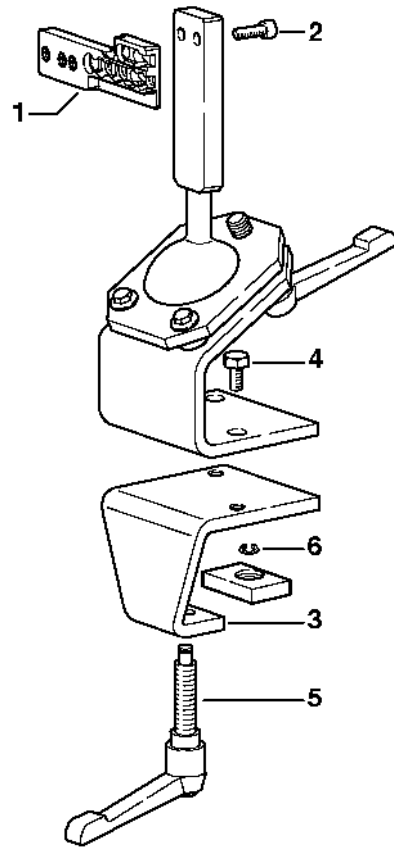


9015W366 CAM

Flange

| # | Part Number | Description | Quantity | Contains Item(s) | Remarks |
|---|---------------|-------------|----------|------------------|---------|
| | 1123 855 4200 | Flange | 1 | | |

Assembly stand

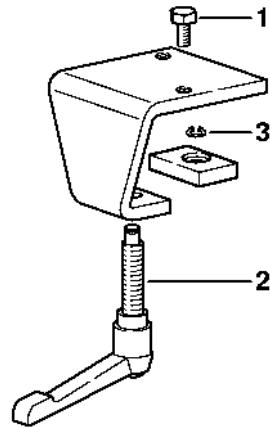


90151633 SC

Assembly stand

| # | Part Number | Description | Quantity | Contains Item(s) | Remarks |
|---|---------------|---------------------------|----------|------------------|---------|
| | 5910 890 3101 | Assembly stand | 1 | 1 - 6 | |
| 1 | 5910 850 1651 | Support | 1 | | |
| 2 | 9045 319 2390 | Socket head screw M10x25 | 2 | | |
| 3 | 5910 850 2100 | Clamping plate | 1 | 4 - 6 | |
| 4 | 9008 319 2930 | Hexagon head screw M12x20 | 2 | | |
| 5 | 5910 890 1901 | Clamp lever | 1 | | |
| 6 | 9455 621 0850 | Circlip 10x1 | 1 | | |

Clamping plate

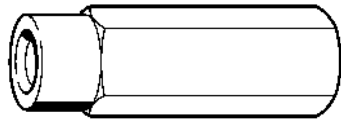


901SM364 SC

Clamping plate

| # | Part Number | Description | Quantity | Contains Item(s) | Remarks |
|----------|---------------|---------------------------|----------|------------------|---------|
| | 5910 850 2100 | Clamping plate | 1 | 1 - 3 | |
| 1 | 9008 319 2930 | Hexagon head screw M12x20 | 2 | | |
| 2 | 5910 890 1901 | Clamp lever | 1 | | |
| 3 | 9455 621 0850 | Circlip 10x1 | 1 | | |

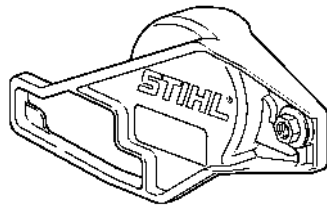
Puller



801516385 KN

Puller

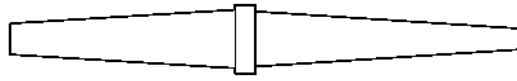
| # | Part Number | Description | Quantity | Contains Item(s) | Remarks |
|---|---------------|-------------|----------|------------------|---------|
| | 5910 893 0801 | Puller | 1 | | |



901SW465.GM

| # | Part Number | Description | Quantity | Contains Item(s) | Remarks |
|---|---------------|-------------|----------|------------------|---------|
| | 5910 890 3201 | Cover | 1 | | |

Nipple

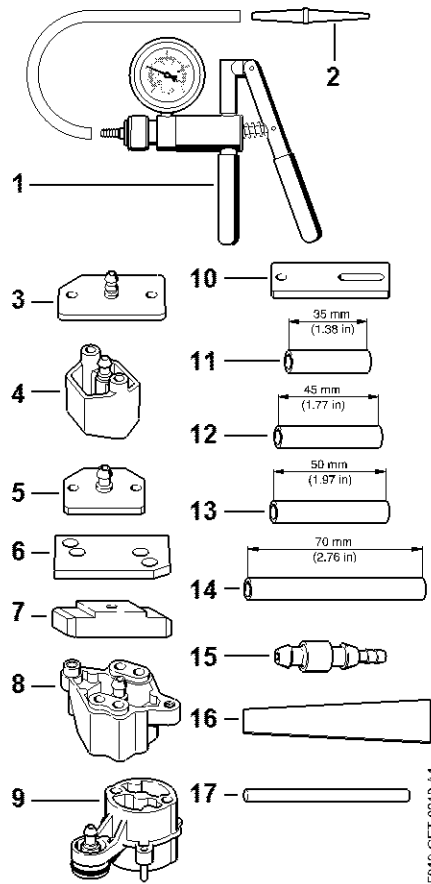


9013W496 GM

Nipple

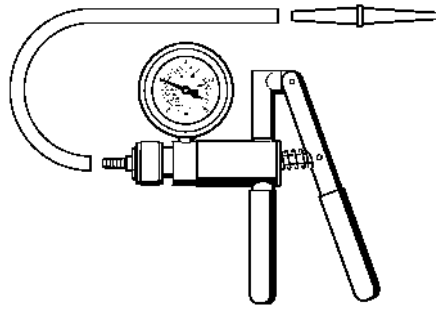
| # | Part Number | Description | Quantity | Contains Item(s) | Remarks |
|---|---------------|-------------|----------|------------------|---------|
| | 0000 855 9201 | Nipple | 1 | | |

Testing tool kit



Testing tool kit

| # | Part Number | Description | Quantity | Contains Item(s) | Remarks |
|----|---------------|-----------------------|----------|------------------|---------|
| | 0000 890 1701 | Testing tool kit | 1 | 1 - 17 | |
| 1 | 0000 850 1300 | Pump | 1 | 2 | |
| 2 | 0000 855 9201 | Nipple | 1 | | |
| 3 | 1106 850 4201 | Flange | 1 | | |
| 4 | 1118 850 4200 | Flange | 1 | | |
| 5 | 1119 850 4201 | Test flange | 1 | | |
| 6 | 1123 855 4200 | Flange | 1 | | |
| 7 | 1124 850 4205 | Flange | 1 | | |
| 8 | 5910 850 4207 | Flange | 1 | | |
| 9 | 4224 890 1200 | Flange | 1 | | |
| 10 | 5910 855 4206 | Flange | 1 | | |
| 11 | 5910 893 1702 | Sleeve | 2 | | |
| 12 | 1123 851 8300 | Sleeve | 2 | | |
| 13 | 1124 893 7100 | Sleeve | 2 | | |
| 14 | 1127 851 8300 | Sleeve | 2 | | |
| 15 | 0000 855 9200 | Nipple | 1 | | |
| 16 | 0000 855 8106 | Sealing plate | 1 | | |
| 17 | 1110 141 8600 | Hose 135 mm / 5 5/16" | 1 | | |

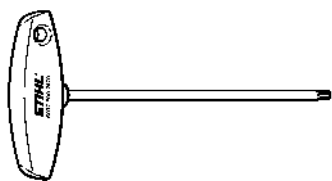


901 SW498 GM

Pump

| # | Part Number | Description | Quantity | Contains Item(s) | Remarks |
|---|---------------|-------------|----------|------------------|---------|
| | 0000 850 1300 | Pump | 1 | | |
| | 0000 855 9201 | Nipple | 1 | | |
| | 0000 855 0100 | Hose | 1 | | |

Screwdriver, T27x150

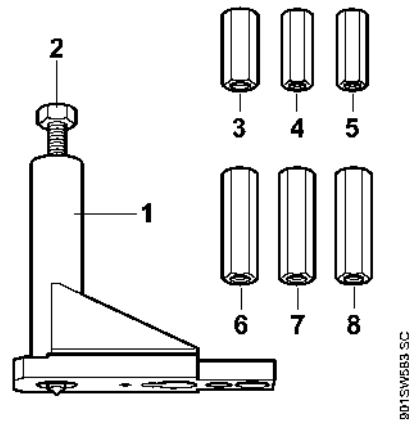


9015W575 K11

Screwdriver, T27x150

| # | Part Number | Description | Quantity | Contains Item(s) | Remarks |
|---|---------------|----------------------|----------|------------------|---------|
| | 5910 890 2400 | Screwdriver, T27x150 | 1 | | |

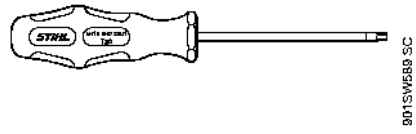
Service tool AS



Service tool AS

| # | Part Number | Description | Quantity | Contains Item(s) | Remarks |
|---|---------------|-----------------|----------|------------------|---------|
| | 5910 007 2222 | Service tool AS | 1 | 1 - 8 | |
| 1 | 5910 890 2222 | Service tool AS | 1 | 2 | |
| 2 | 5910 893 8500 | Spindle AS | 1 | | |
| 3 | 5910 893 2405 | Screw sleeve | 1 | | |
| 4 | 5910 893 2406 | Screw sleeve | 1 | | |
| 5 | 5910 893 2407 | Screw sleeve | 1 | | |
| 6 | 5910 893 2408 | Screw sleeve | 1 | | |
| 7 | 5910 893 2409 | Screw sleeve | 1 | | |
| 8 | 5910 893 2202 | Screw sleeve | 1 | | |

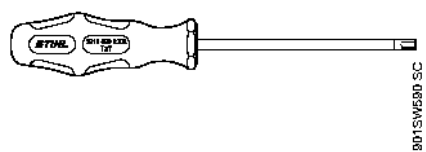
Screwdriver, T20



Screwdriver, T20

| # | Part Number | Description | Quantity | Contains Item(s) | Remarks |
|---|---------------|------------------|----------|------------------|---------|
| | 5910 890 2301 | Screwdriver, T20 | 1 | | |

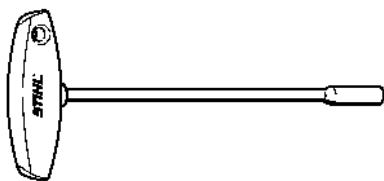
Screwdriver, T27x150



Screwdriver, T27x150

| # | Part Number | Description | Quantity | Contains Item(s) | Remarks |
|---|---------------|----------------------|----------|------------------|---------|
| | 5910 890 2302 | Screwdriver, T27x150 | 1 | | |

Screwdriver, Q-SW 8x200

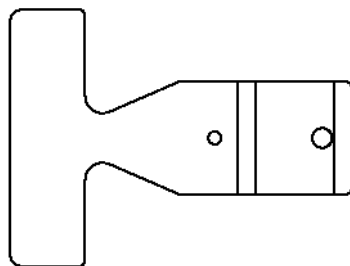


8015W632 SC

Screwdriver, Q-SW 8x200

| # | Part Number | Description | Quantity | Contains Item(s) | Remarks |
|---|---------------|-------------------------|----------|------------------|---------|
| | 5910 890 2420 | Screwdriver, Q-SW 8x200 | 1 | | |

Setting gauge



901SW605-SC

Setting gauge

| # | Part Number | Description | Quantity | Contains Item(s) | Remarks |
|---|---------------|---------------|----------|------------------|---------|
| | 0000 890 6401 | Setting gauge | 1 | | |