

# MS 193 T-Z

**Spare Parts List**  
**12/15/2023**  
**Australia, English**

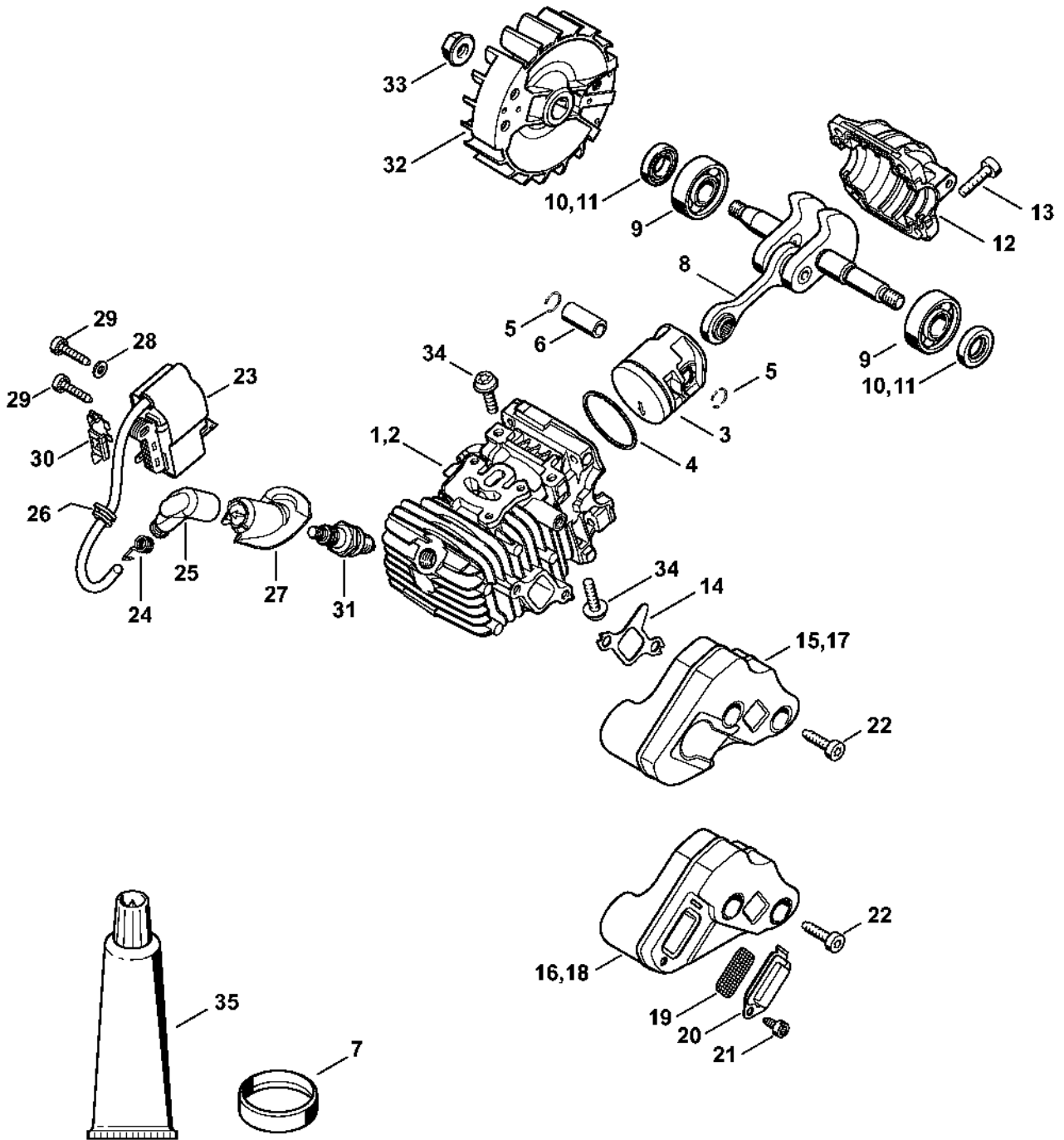
## Muffler with spark arrestor

### Tophandle

## Contents

|   |    |  |     |
|---|----|--|-----|
| Cylinder with piston, Ignition system ..... | 2  | Assembly hook .....                              | 57  |
| Motor housing .....                         | 5  | Ignition system tester, ZAT 3 .....              | 59  |
| Oil pump, Clutch .....                      | 8  | Ignition system tester, ZAT 4 .....              | 61  |
| Chain sprocket cover .....                  | 10 | Puller .....                                     | 63  |
| Rewind starter .....                        | 12 | Torque wrench with optical/acoustic signal ..... | 65  |
| Handle housing .....                        | 14 | Torque wrench .....                              | 67  |
| Air filter, Manifold .....                  | 16 | Torque wrench with optical/acoustic signal ..... | 69  |
| Carburetor 1137/17, 1137/06 .....           | 18 | Torque wrench .....                              | 71  |
| Tools, Extras .....                         | 21 | Jaw (profile No. 3.1 and 4) .....                | 73  |
| Serial number .....                         | 23 | Assembly stand .....                             | 75  |
| Tightening torques .....                    | 25 | Clamping plate .....                             | 77  |
| Tightening torques .....                    | 27 | Installing tool, 10 .....                        | 79  |
| Miscellaneous lubricants and greases .....  | 29 | Puller .....                                     | 81  |
| Nipple .....                                | 31 | Puller .....                                     | 83  |
| Installing tool .....                       | 33 | Flange .....                                     | 85  |
| Assembly drift .....                        | 35 | .....  | 87  |
| Sealing plate .....                         | 37 | Nipple .....                                     | 89  |
| Socket, T20x125 .....                       | 39 | Testing tool kit .....                           | 91  |
| Socket, T27x125 .....                       | 41 | Pump .....                                       | 93  |
| Hose 135 mm / 5 5/16" .....                 | 43 | Stud puller, M8-7,5 .....                        | 95  |
| Assembly tube .....                         | 45 | Locking strip .....                              | 97  |
| Press sleeve .....                          | 47 | Clamping strap .....                             | 99  |
| Setting gauge .....                         | 49 | Screwdriver, T20 .....                           | 101 |
| Assembly hook .....                         | 51 | Socket, T20x140 .....                            | 103 |
| Stud puller, M8 .....                       | 53 | Screwdriver, T8 .....                            | 105 |
| Socket, 13 mm .....                         | 55 |  |     |

# Cylinder with piston, Ignition system



1137-GET-0006-A0

# Cylinder with piston, Ignition system

| #  | Part Number   | Description  | Quantity | Contains Item(s) | Remarks       |
|----|---------------|--|----------|------------------|---------------|
| 1  | 1137 020 1207 | Cylinder with piston Ø 37 mm<br>Above Serial Number: 506550976 | 1        | 3 - 7            |               |
| 2  | 1137 020 1205 | Cylinder with piston Ø 37 mm                                   | 1        | 3 - 7            |               |
| 3  | 1137 030 2007 | Piston Ø 37 mm   | 1        | 4 - 7            |               |
| 4  | 1130 034 3007 | Piston ring Ø 37x1.2 mm  | 1        | 7                |               |
| 5  | 9463 650 1000 | Snap ring 10   | 2        |                  |               |
| 6  | 1139 034 1500 | Piston pin 10x6.5x23   | 1        |                  |               |
| 7  | 1130 893 2601 | Clamping strap   | 1        |                  |               |
| 8  | 1137 030 0402 | Crankshaft   | 1        |                  |               |
| 9  | 9503 003 0239 | Grooved ball bearing 6201                                      | 2        |                  |               |
| 10 | 9639 003 1205 | Oil seal 12x22x4.5   | 2        |                  |               |
| 11 | 9639 003 1206 | Oil seal 12x22x4.5   | 2        |                  |               |
| 12 | 1137 021 2503 | Engine pan   | 1        |                  |               |
| 13 | 9075 478 4136 | Pan head self-tapping screw IS-D5x20                           | 4        |                  |               |
| 14 | 1137 149 0601 | Muffler gasket   | 1        |                  |               |
| 16 | 1137 140 0609 | Muffler<br>Above Serial Number: 506550976                      | 1        | 19 - 21          | USA, AUS, CDN |
| 18 | 1137 140 0607 | Muffler  | 1        | 19 - 21          | USA, AUS, CDN |
| 19 | 1137 141 9001 | Screen   | 1        |                  | USA, AUS, CDN |
| 20 | 1137 140 7401 | Deflecting plate   | 1        |                  | USA, AUS, CDN |
| 21 | 9039 475 0656 | Self-tapping screw M4x9.6                                      | 1        |                  | USA, AUS, CDN |
| 22 | 9022 341 0983 | Spline screw IS-M5x16  | 2        |                  |               |
| 23 | 1137 400 1306 | Ignition module  | 1        | 24 - 26          |               |
| 24 | 0000 998 0623 | Spark plug contact spring                                      | 1        |                  |               |
| 25 | 0000 405 1007 | Spark plug boot  | 1        |                  |               |
| 26 | 0000 989 0507 | Grommet  | 1        |                  |               |
| 27 | 1137 084 1603 | Cover  | 1        |                  |               |
| 28 | 9291 021 0100 | Washer 4.3   | 1        |                  |               |

# Cylinder with piston, Ignition system

| #  | Part Number   | Description                          | Quantity | Contains Item(s) | Remarks |
|----|---------------|--------------------------------------|----------|------------------|---------|
| 29 | 9075 478 3022 | Pan head self-tapping screw IS-D4x20 | 2        |                  |         |
| 30 | 1137 448 1205 | Lead retainer                        | 1        |                  |         |
| 31 | 0000 400 7011 | Spark plug NGK CMR6H                 | 1        |                  |         |
| 32 | 1137 400 1200 | Flywheel                             | 1        |                  |         |
| 33 | 0000 955 0802 | Collar nut M8x1                      | 1        |                  |         |
| 34 | 0000 951 1100 | Screw                                | 4        |                  |         |
| 35 | 0783 830 2000 | Sealant, Dirko HT red                | 1        |                  |         |



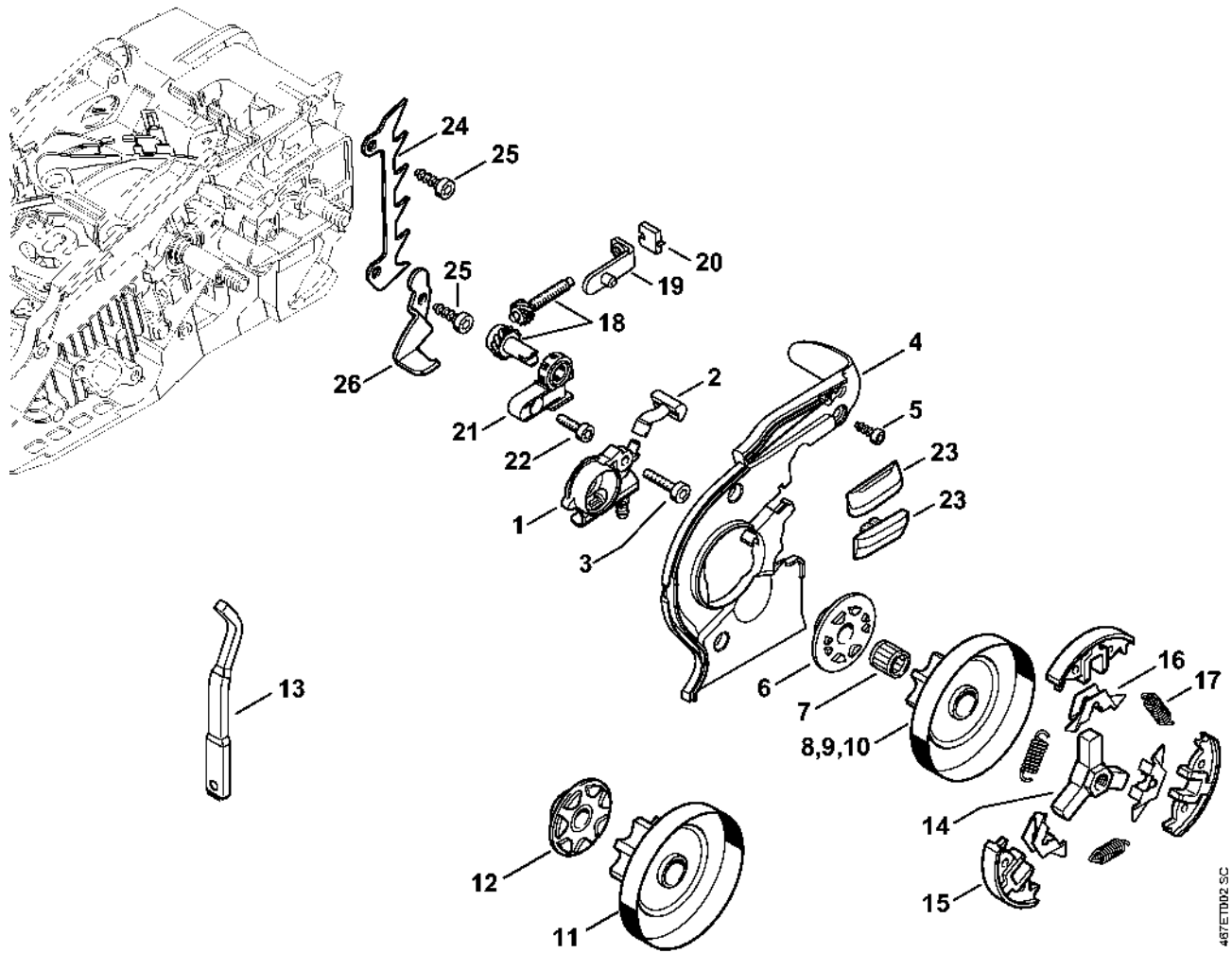
# Motor housing

| #  | Part Number   | Description                          | Quantity | Contains Item(s) | Remarks |
|----|---------------|--------------------------------------|----------|------------------|---------|
| 1  | 1137 020 3004 | Engine housing                       | 1        | 2, 3, 5 - 13     |         |
| 2  | 0000 664 2402 | Collar screw D8                      | 1        |                  |         |
| 3  | 0000 664 2412 | Collar screw D8                      | 1        |                  |         |
| 4  | 0000 664 2415 | Collar screw D9/M8                   | 1        |                  |         |
| 5  | 1128 640 9100 | Valve                                | 1        |                  |         |
| 6  | 1137 352 5500 | Clamp                                | 2        |                  |         |
| 7  | 1129 647 9400 | Hose                                 | 1        |                  |         |
| 8  | 1123 640 3800 | Pickup body                          | 1        |                  |         |
| 9  | 1137 358 7700 | Hose                                 | 1        |                  |         |
| 10 | 0000 350 0537 | Oil filler cap                       | 1        | 11               |         |
| 11 | 9645 948 2470 | O-ring 23x3                          | 1        |                  |         |
| 12 | 0000 350 0533 | Filler cap                           | 1        | 13               |         |
| 13 | 9645 948 7734 | O-ring 25x3.5                        | 1        |                  |         |
| 14 | 0000 350 3502 | Pickup body                          | 1        |                  |         |
| 15 | 1137 351 4002 | Insulating plate                     | 1        |                  |         |
| 16 | 1137 028 1501 | Support                              | 1        |                  |         |
| 17 | 1137 350 5002 | Tube                                 | 1        |                  |         |
| 18 | 1137 358 7703 | Hose                                 | 1        |                  |         |
| 19 | 1137 358 7702 | Hose                                 | 1        |                  |         |
| 20 | 1137 141 8600 | Impulse hose                         | 1        |                  |         |
| 21 | 1137 353 2600 | Elbow connector                      | 2        |                  |         |
| 22 | 4130 350 6200 | Fuel pump                            | 1        |                  |         |
| 23 | 0000 350 5802 | Tank vent                            | 1        |                  |         |
| 24 | 1137 790 9900 | Annular buffer                       | 1        |                  |         |
| 25 | 9074 477 2995 | Pan head self-tapping screw IS-P4x12 | 2        |                  |         |
| 26 | 1129 791 6100 | Screw                                | 1        |                  |         |
| 27 | 1129 352 7700 | Bracket                              | 1        |                  |         |

# Motor housing

| #  | Part Number   | Description                          | Quantity | Contains Item(s) | Remarks |
|----|---------------|--------------------------------------|----------|------------------|---------|
| 28 | 1129 352 5000 | Loop                                 | 1        |                  |         |
| 29 | 9074 478 4435 | Pan head self-tapping screw IS-P6x19 | 1        |                  |         |
| 30 | 1137 020 1100 | Cover                                | 1        | 31               |         |
| 31 | 0000 967 7257 | Instruction label                    | 1        |                  |         |

# Oil pump, Clutch



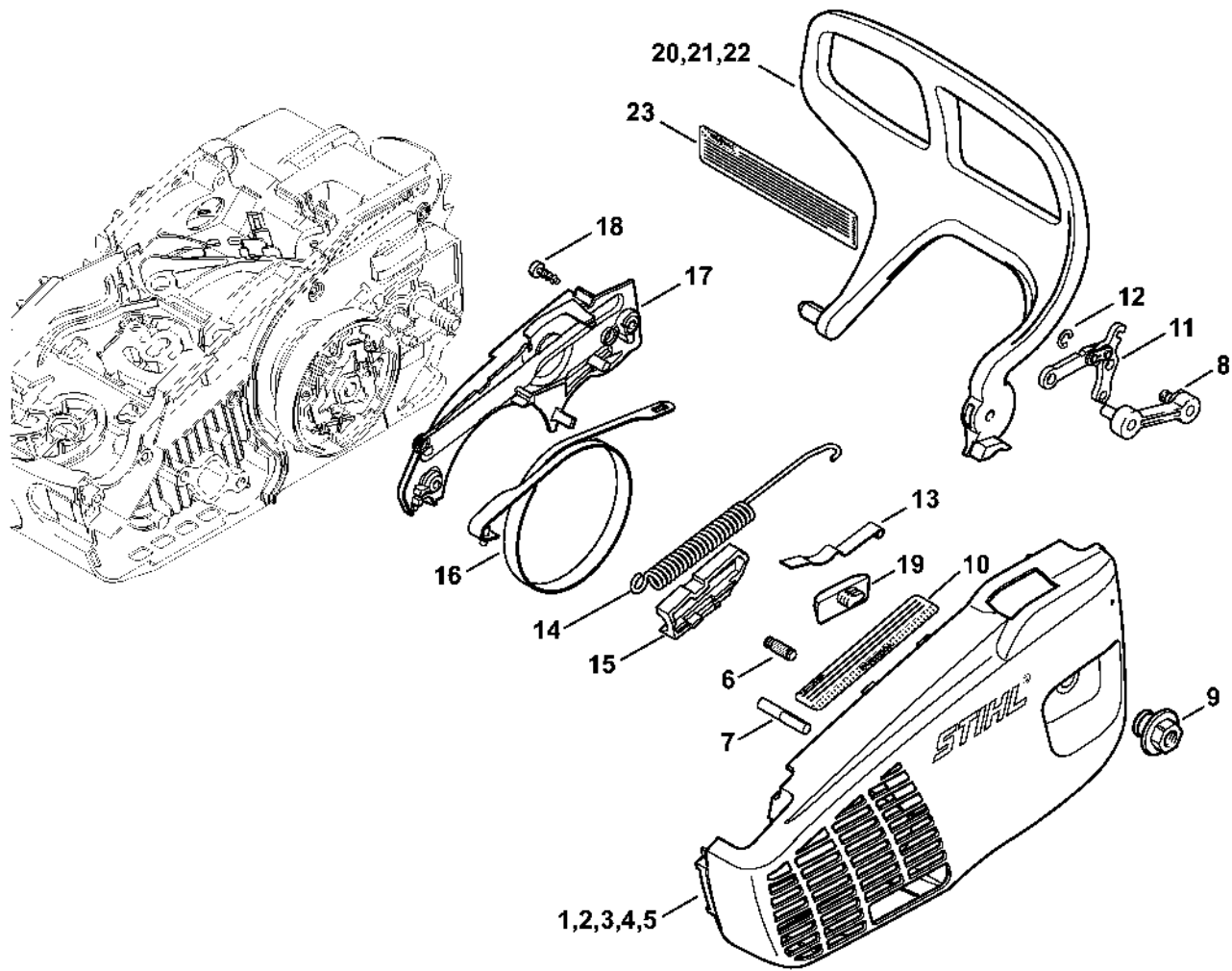
467ETD02.SC



# Oil pump, Clutch

| #  | Part Number   | Description                           | Quantity | Contains Item(s) | Remarks |
|----|---------------|---------------------------------------|----------|------------------|---------|
| 1  | 1137 640 3203 | Oil pump                              | 1        |                  |         |
| 2  | 1137 647 5701 | Connector                             | 1        |                  |         |
| 3  | 9075 478 3022 | Pan head self-tapping screw IS-D4x20  | 1        |                  |         |
| 4  | 1137 021 1100 | Cover                                 | 1        |                  |         |
| 5  | 9074 477 2995 | Pan head self-tapping screw IS-P4x12  | 3        |                  |         |
| 6  | 1146 640 7102 | Worm gear 1/4"Picco / 3/8"Picco       | 1        |                  |         |
| 7  | 9512 933 2270 | Needle cage 10x13x13                  | 1        |                  |         |
| 8  | 1137 640 2005 | Chain sprocket 3/8" Picco 6T          | 1        | 13               |         |
| 9  | 1137 640 2006 | Chain sprocket 1/4" 8T                | 1        | 13               | Carving |
| 10 | 1137 640 2008 | Chain sprocket 1/4" Picco 8T          | 1        | 13               | Carving |
| 11 | 1137 640 2007 | Chain sprocket 3/8" Picco 7T          | 1        | 12, 13           |         |
| 12 | 1129 640 7101 | Worm gear 3/8" Picco 7T               | 1        |                  |         |
| 13 | 0000 893 5905 | Locking strip                         | 1        |                  |         |
| 14 | 1137 160 2001 | Clutch                                | 1        | 15 - 17          |         |
| 15 | 1137 162 0800 | Clutch shoe                           | 3        |                  |         |
| 16 | 1121 162 3000 | Retainer                              | 3        |                  |         |
| 17 | 0000 997 5605 | Tension spring                        | 3        |                  |         |
| 18 | 1129 007 1000 | Spur gear / chain adjusting screw kit | 1        |                  |         |
| 19 | 1129 640 1900 | Tensioner slide                       | 1        |                  |         |
| 20 | 1123 664 1400 | Thrust pad                            | 1        |                  |         |
| 21 | 1123 664 2200 | Cover                                 | 1        |                  |         |
| 22 | 9075 478 3015 | Pan head self-tapping screw IS-D4x15  | 1        |                  |         |
| 23 | 1123 648 6600 | Bumper strip                          | 2        |                  |         |
| 24 | 1129 664 0500 | Bumper spike                          | 1        |                  |         |
| 25 | 9074 477 4130 | Screw IS P5x16                        | 2        |                  |         |
| 26 | 1129 656 7701 | Chain catcher                         | 1        |                  |         |

# Chain sprocket cover

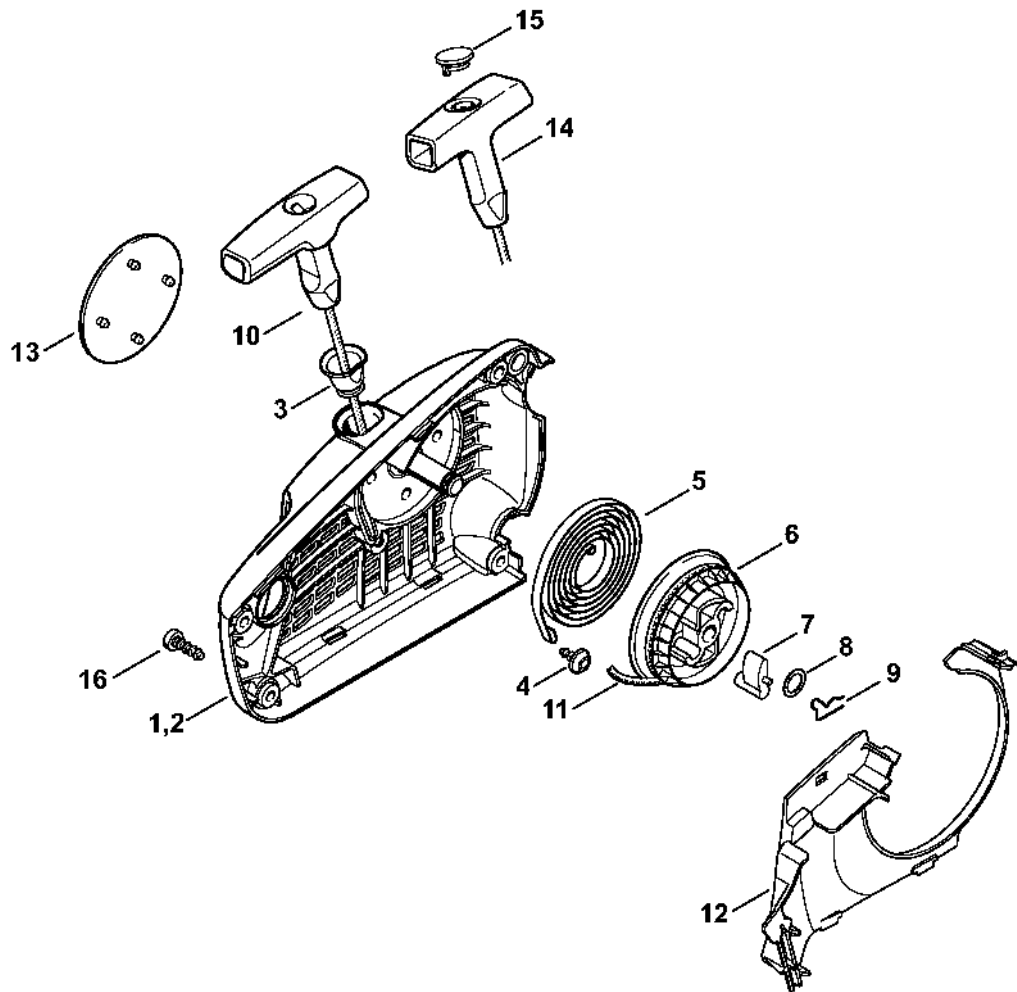


467ET006 SC

# Chain sprocket cover

| #  | Part Number   | Description                          | Quantity | Contains Item(s)      | Remarks |
|----|---------------|--------------------------------------|----------|-----------------------|---------|
| 1  | 1137 640 1709 | Chain sprocket cover                 | 1        | 4, 6 - 9, 11 - 20     |         |
| 3  | 1137 640 1715 | Chain sprocket cover                 | 1        | 4, 6 - 9, 11 - 19, 22 | CDN     |
| 4  | 1137 640 1708 | Chain sprocket cover                 | 1        | 6 - 9                 |         |
| 6  | 1120 162 5200 | Pin                                  | 1        |                       |         |
| 7  | 9378 543 2700 | Notched pin 5x30                     | 1        |                       |         |
| 8  | 1129 640 5000 | Insert                               | 1        |                       |         |
| 9  | 0000 995 0800 | Collar nut M8                        | 1        |                       |         |
| 11 | 1128 160 5000 | Lever                                | 1        |                       |         |
| 12 | 9460 624 0400 | E-clip 4                             | 1        |                       |         |
| 13 | 1129 162 7800 | Flat spring                          | 1        |                       |         |
| 14 | 1137 160 5502 | Tension spring                       | 1        | 15                    |         |
| 15 | 1137 162 6600 | Limit stop                           | 1        |                       |         |
| 16 | 1123 160 5400 | Brake band                           | 1        |                       |         |
| 17 | 1137 648 7700 | Cover                                | 1        |                       |         |
| 18 | 9074 477 2995 | Pan head self-tapping screw IS-P4x12 | 2        |                       |         |
| 19 | 1123 648 6600 | Bumper strip                         | 1        |                       |         |
| 20 | 1137 792 9100 | Hand guard                           | 1        |                       |         |
| 22 | 1137 790 9101 | Hand guard                           | 1        |                       | CDN     |

# Rewind starter

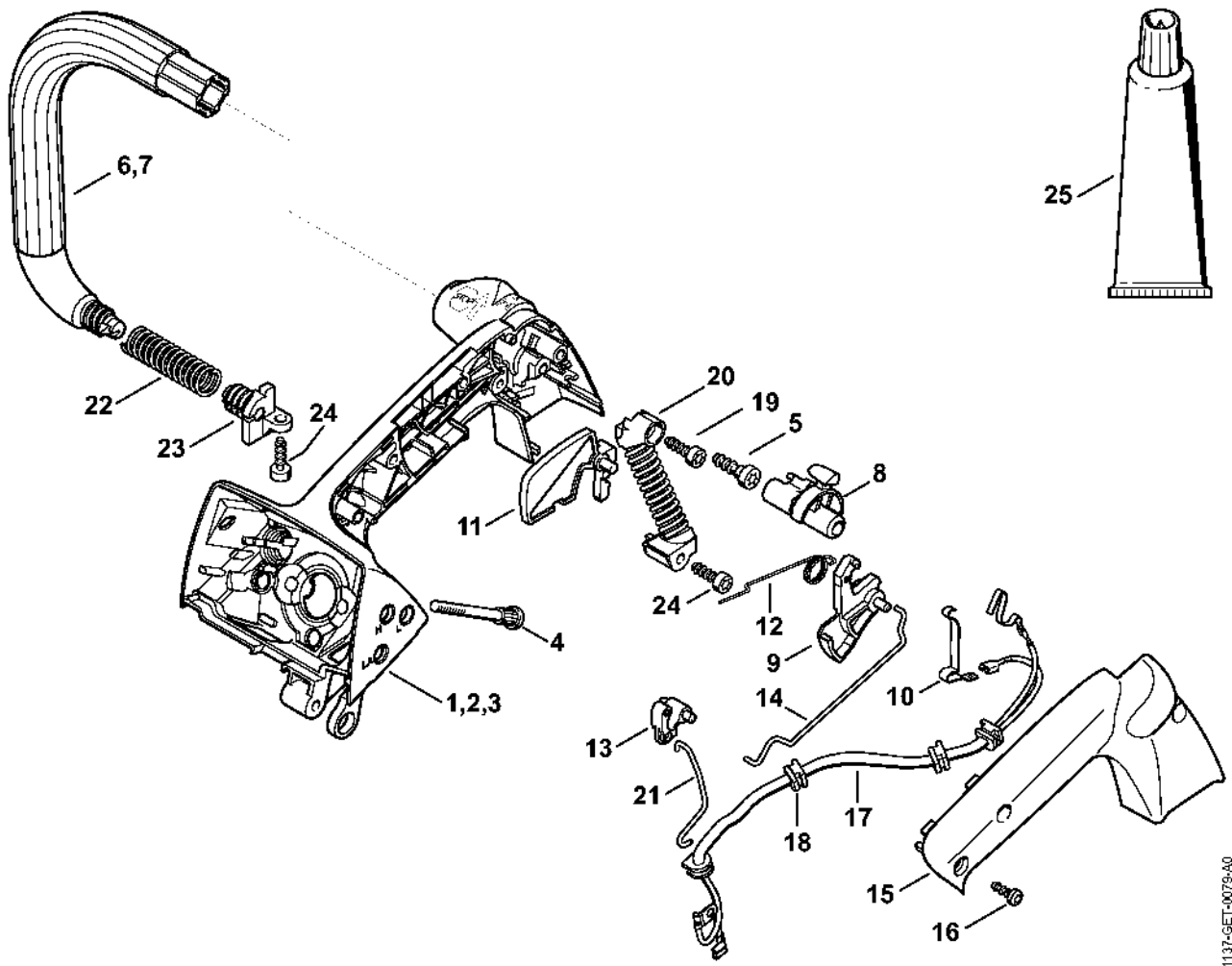


467ET004-SC

# Rewind starter

| #  | Part Number   | Description                     | Quantity | Contains Item(s) | Remarks |
|----|---------------|---------------------------------|----------|------------------|---------|
| 1  | 1137 080 2110 | Fan housing with rewind starter | 1        | 2 - 13           |         |
| 2  | 1137 080 1808 | Fan housing                     | 1        | 3, 4             |         |
| 3  | 1110 084 9102 | Bushing                         | 1        |                  |         |
| 4  | 9104 003 2960 | Self-tapping screw P4x10        | 1        |                  |         |
| 5  | 1123 190 0600 | Rewind spring                   | 1        |                  |         |
| 6  | 1123 195 0400 | Rope rotor                      | 1        |                  |         |
| 7  | 1125 195 7200 | Pawl                            | 1        |                  |         |
| 8  | 0000 958 0923 | Washer                          | 1        |                  |         |
| 9  | 1118 195 3500 | Spring                          | 1        |                  |         |
| 10 | 1121 195 3400 | Starter grip                    | 1        |                  |         |
| 11 | 0000 195 8203 | Starter rope Ø 3x850 mm         | 1        |                  |         |
| 12 | 1137 084 7802 | Segment                         | 1        |                  |         |
| 13 | 1137 967 1504 | Model plate MS 193 T            | 1        |                  |         |
| 14 | 0000 190 3402 | Starter grip ElastoStart Ø 3 mm | 1        | 11, 15           |         |
| 15 | 0000 195 7001 | Cap                             | 1        |                  |         |
| 16 | 9074 477 4130 | Screw IS P5x16                  | 4        |                  |         |

# Handle housing

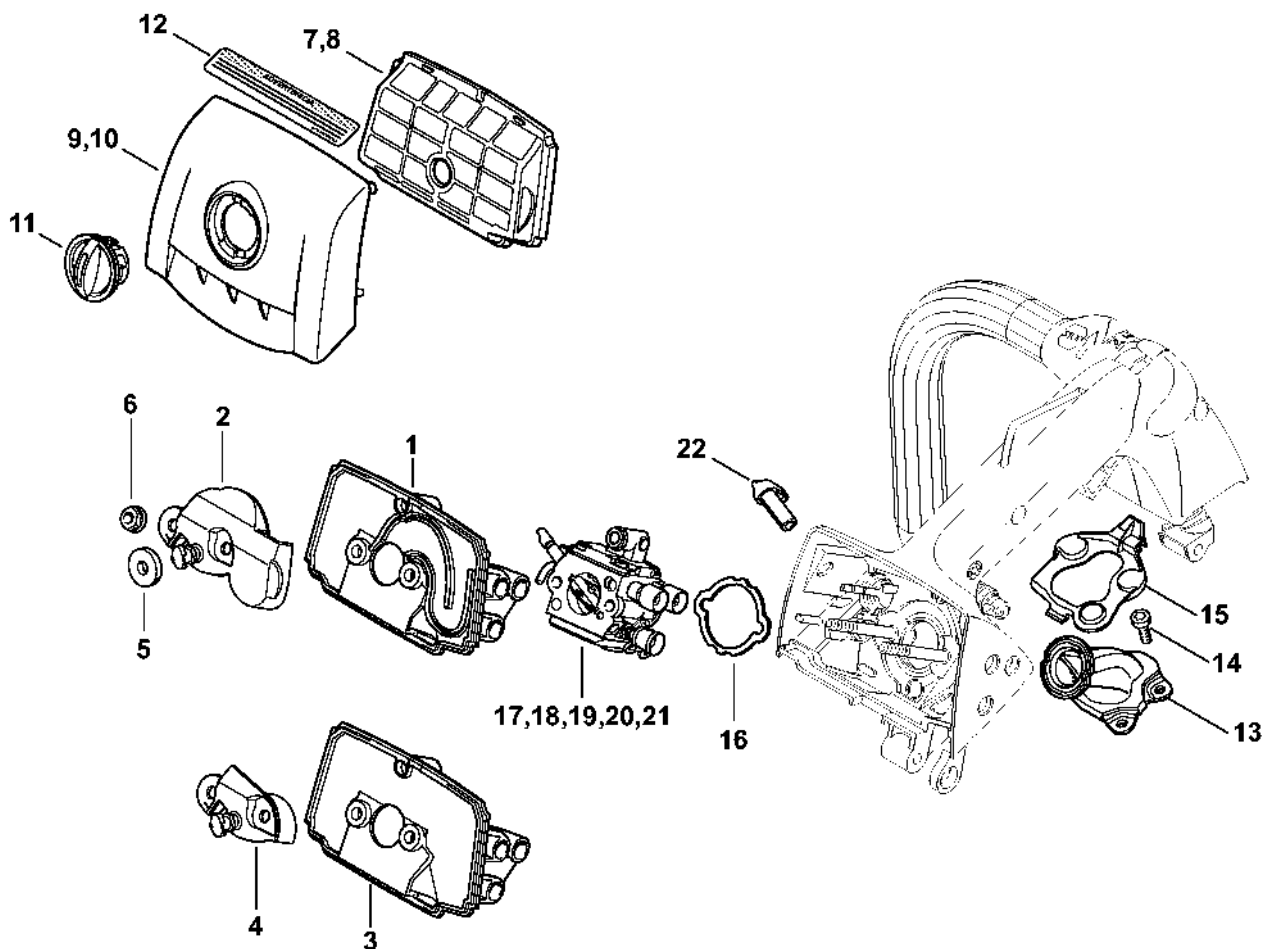


1137-GET-0079-A0

# Handle housing

| #  | Part Number   | Description                          | Quantity | Contains Item(s) | Remarks |
|----|---------------|--------------------------------------|----------|------------------|---------|
| 1  | 1137 790 1007 | Handle housing                       | 1        | 3 - 6, 8 - 20    |         |
| 3  | 1137 790 1005 | Handle housing                       | 1        | 4                |         |
| 4  | 1121 122 6600 | Collar screw                         | 2        |                  |         |
| 5  | 9074 478 4435 | Pan head self-tapping screw IS-P6x19 | 1        |                  |         |
| 6  | 1137 791 1700 | Handlebar                            | 1        |                  |         |
| 8  | 1146 180 0900 | Switch shaft                         | 1        |                  |         |
| 9  | 1137 180 1500 | Throttle trigger                     | 1        |                  |         |
| 10 | 1137 442 1600 | Contact spring                       | 1        |                  |         |
| 11 | 1137 182 0800 | Lockout lever                        | 1        |                  |         |
| 12 | 1129 182 4500 | Torsion spring                       | 1        |                  |         |
| 13 | 1129 180 4000 | Double lever                         | 1        |                  |         |
| 14 | 1129 182 1501 | Throttle rod                         | 1        |                  |         |
| 15 | 1137 791 0600 | Handle molding                       | 1        |                  |         |
| 16 | 9074 477 2995 | Pan head self-tapping screw IS-P4x12 | 3        |                  |         |
| 17 | 1137 440 3004 | Wiring harness                       | 1        | 18               |         |
| 18 | 0000 989 0507 | Grommet                              | 4        |                  |         |
| 19 | 9074 477 4130 | Screw IS P5x16                       | 1        |                  |         |
| 20 | 1137 790 8300 | AV-Spring                            | 1        |                  |         |
| 21 | 1137 182 1503 | Throttle rod                         | 1        |                  |         |
| 22 | 1137 791 3101 | Spring                               | 1        |                  |         |
| 23 | 1137 792 2902 | AV mount                             | 1        |                  |         |
| 24 | 9074 477 4130 | Screw IS P5x16                       | 2        |                  |         |
| 25 | 0781 120 1109 | Multi-purpose grease (tube 80 g)     | 1        |                  |         |

# Air filter, Manifold



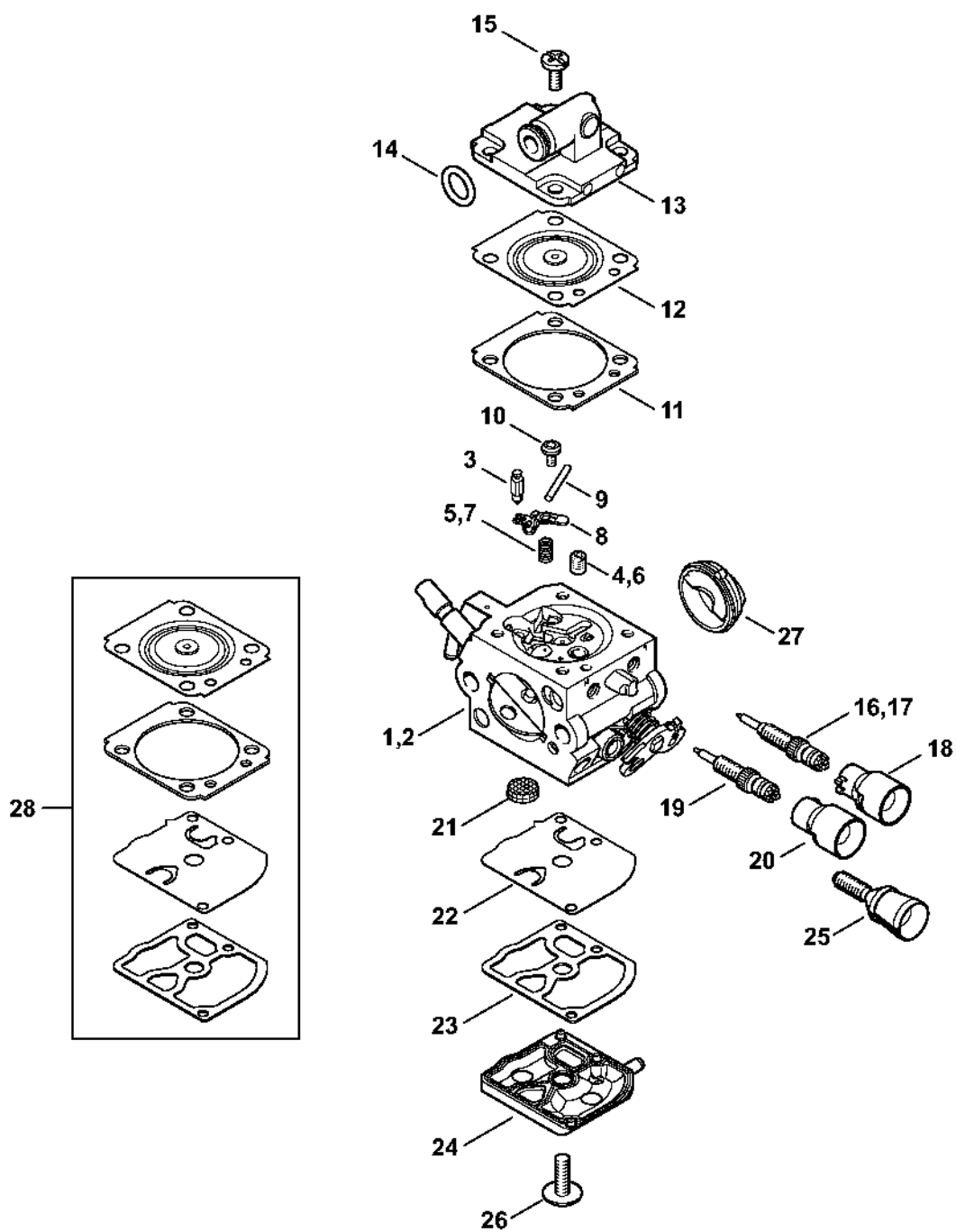
1137-GET-0073-A0



# Air filter, Manifold

| #  | Part Number   | Description  | Quantity | Contains Item(s) | Remarks |
|----|---------------|--|----------|------------------|---------|
| 1  | 1137 141 0904 | Air filter base<br>Above Serial Number: 506550976    | 1        |                  |         |
| 2  | 1137 121 6902 | Intake baffle<br>Above Serial Number: 506550976      | 1        |                  |         |
| 3  | 1137 141 0902 | Filter base  | 1        |                  |         |
| 4  | 1137 121 6900 | Baffle   | 1        |                  |         |
| 5  | 1144 129 0900 | Gasket   | 1        |                  |         |
| 6  | 9216 261 0700 | Hexagon nut M5                                       | 2        |                  |         |
| 7  | 1137 120 1604 | Air filter, fleece                                   | 1        |                  |         |
| 8  | 1137 120 1605 | Air filter   | 1        |                  |         |
| 9  | 1137 140 1902 | Carburetor box cover                                 | 1        | 11               |         |
| 10 | 1137 140 1903 | Carburetor box cover                                 | 1        | 11, 12           | USA     |
| 11 | 1137 141 2301 | Twist lock   | 1        |                  |         |
| 12 | 0000 967 3579 | Instruction label (Spanish)                          | 1        |                  | USA     |
| 13 | 1137 140 2501 | Manifold   | 1        |                  |         |
| 14 | 9075 478 3012 | Pan head self-tapping screw IS-D4x12                 | 3        |                  |         |
| 15 | 1137 141 3301 | Supporting plate                                     | 1        |                  |         |
| 16 | 1137 121 8601 | Washer   | 1        |                  |         |
| 18 | 1137 120 0617 | Carburetor 1137/17<br>Above Serial Number: 506550976 | 1        |                  |         |
| 20 | 1137 120 0606 | Carburetor 1137/06                                   | 1        |                  |         |
| 22 | 1137 121 6101 | Choke lever  | 1        |                  |         |

# Carburetor 1137/17, 1137/06



1137-GET-0002-A0

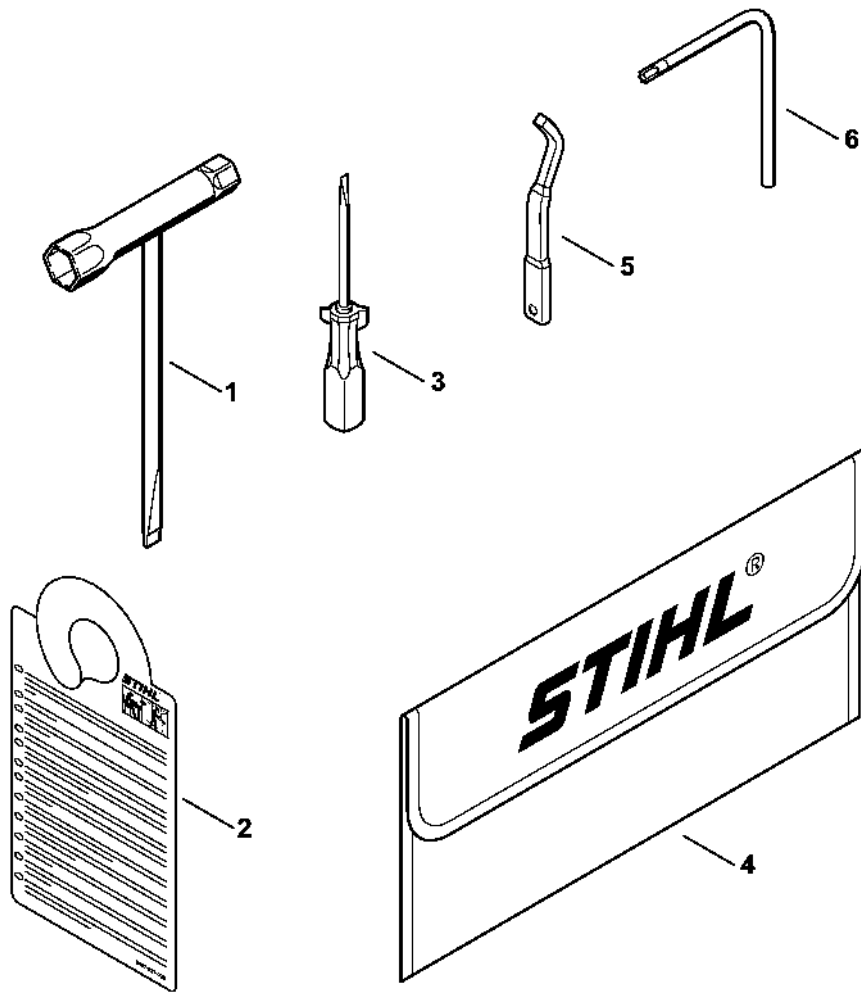
# Carburetor 1137/17, 1137/06

| #  | Part Number   | Description  | Quantity | Contains Item(s)       | Remarks |
|----|---------------|--|----------|------------------------|---------|
| 1  | 1137 120 0617 | Carburetor 1137/17<br>Above Serial Number: 506550976 | 1        | 3 - 5, 8 - 16, 18 - 27 |         |
| 2  | 1137 120 0606 | Carburetor 1137/06                                   | 1        | 3, 6 - 15, 17 - 27     |         |
| 3  | Z000 018 Z000 | Inlet needle   | 1        |                        |         |
| 4  | 4228 121 5602 | Fixed jet 0.39<br>Above Serial Number: 506550976     | 1        |                        |         |
| 5  | 1120 122 3004 | Spring<br>Above Serial Number: 506550976             | 1        |                        |         |
| 6  | 4229 121 5602 | Fixed jet 0.35                                       | 1        |                        |         |
| 7  | 1123 122 3001 | Spring   | 1        |                        |         |
| 8  | 1125 121 5000 | Inlet control lever                                  | 1        |                        |         |
| 9  | 1120 121 9200 | Spindle  | 1        |                        |         |
| 10 | 0000 122 7101 | Screw  | 1        |                        |         |
| 11 | 1145 129 0900 | Metering gasket                                      | 1        |                        |         |
| 12 | 1137 121 4701 | Metering diaphragm                                   | 1        |                        |         |
| 13 | 1130 121 0802 | End cover  | 1        |                        |         |
| 14 | 9646 945 0490 | O-ring 7x1.5   | 1        |                        |         |
| 15 | 1120 122 6601 | Collar screw   | 4        |                        |         |
| 16 | 1137 120 6805 | Low speed screw<br>Above Serial Number: 506550976    | 1        | 18                     |         |
| 17 | 1137 120 6803 | Low speed screw                                      | 1        | 18                     |         |
| 18 | 0000 121 2703 | Cap  | 1        |                        |         |
| 19 | 1137 120 6701 | High speed screw                                     | 1        | 20                     |         |
| 20 | 4229 121 2701 | Cap  | 1        |                        |         |
| 21 | 1123 121 7800 | Strainer   | 1        |                        |         |
| 22 | 1129 121 4800 | Pump diaphragm                                       | 1        |                        |         |
| 23 | 1123 129 0905 | Pump gasket  | 1        |                        |         |
| 24 | 1137 125 0200 | Pump cover   | 1        |                        |         |

# Carburetor 1137/17, 1137/06

| #  | Part Number   | Description             | Quantity | Contains Item(s) | Remarks |
|----|---------------|-------------------------|----------|------------------|---------|
| 25 | 1137 122 6200 | Idle speed screw        | 1        |                  |         |
| 26 | 1120 122 7800 | Oval head screw         | 1        |                  |         |
| 27 | 1137 141 1801 | Sleeve                  | 1        |                  |         |
| 28 | 1137 007 1701 | Set of carburetor parts | 1        | 8, 9, 18 - 20    |         |

# Tools, Extras

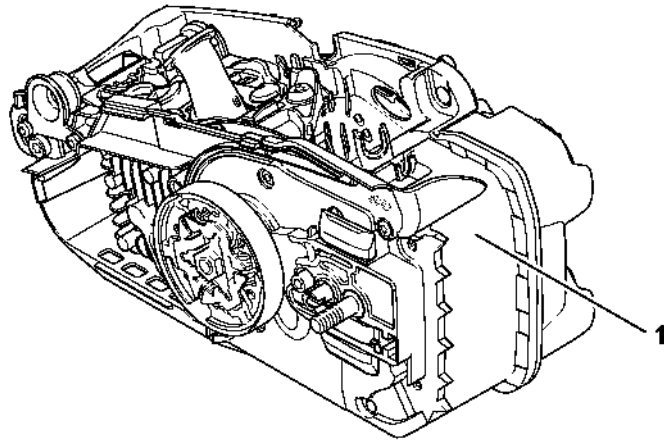


1187-GET-0015-A0

# Tools, Extras

| # | Part Number   | Description            | Quantity | Contains Item(s) | Remarks |
|---|---------------|------------------------|----------|------------------|---------|
| 1 | 0000 890 3402 | Combination wrench     | 1        |                  |         |
| 2 | 0457 927 0002 | Hang tag               | 1        |                  |         |
| 3 | 0000 890 2300 | Screwdriver            | 1        |                  |         |
| 4 | 0000 891 0810 | Tool roll              | 1        |                  |         |
| 5 | 0000 893 5905 | Locking strip          | 1        |                  |         |
| 6 | 0812 370 1000 | Screwdriver T27x120x70 | 1        |                  |         |

# Serial number



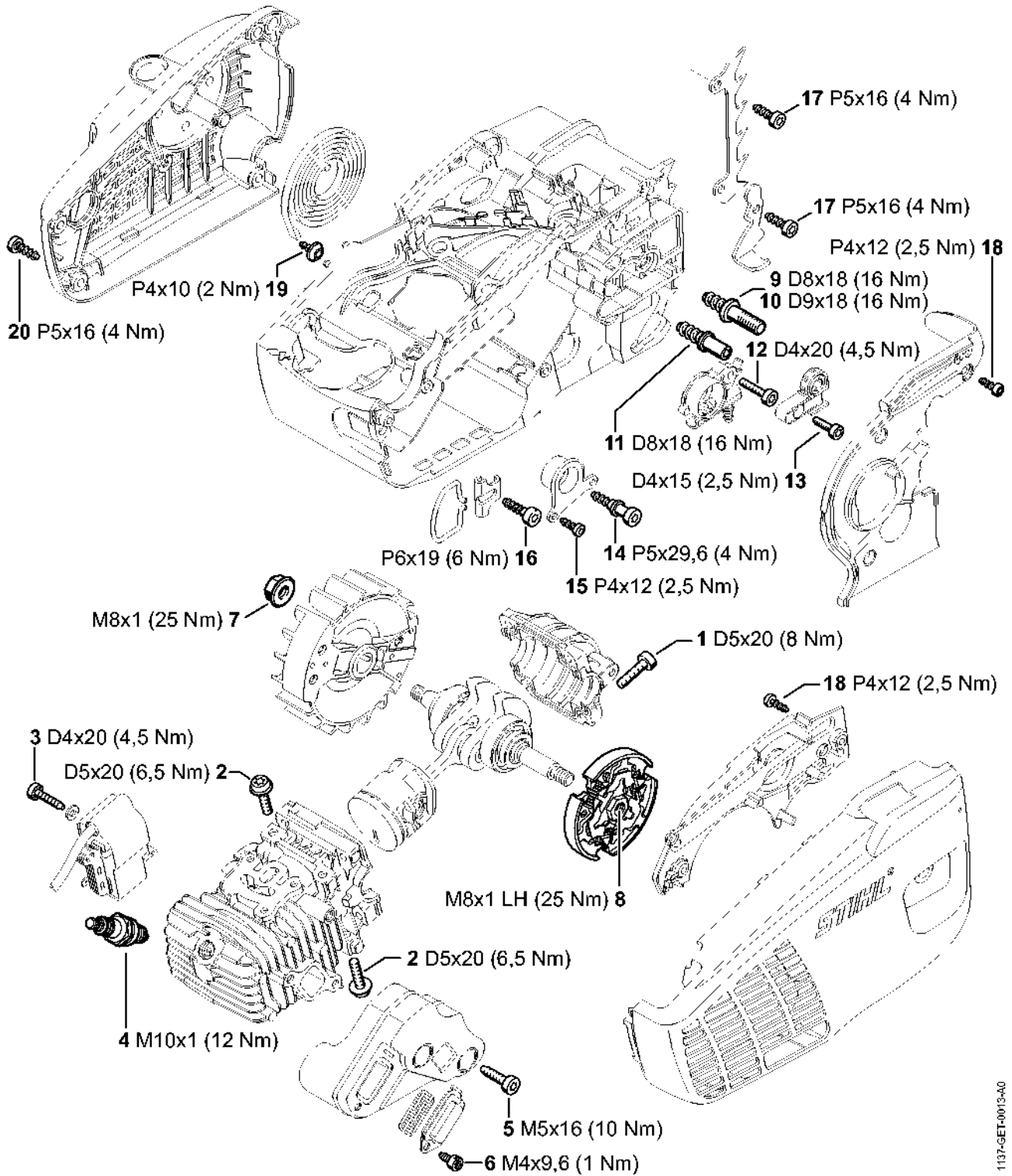
467ET010 SC

# Serial number

| # | Part Number | Description               | Quantity | Contains Item(s) | Remarks |
|---|-------------|---------------------------|----------|------------------|---------|
| 1 |             | Position of serial number | 1        |                  |         |



# Tightening torques

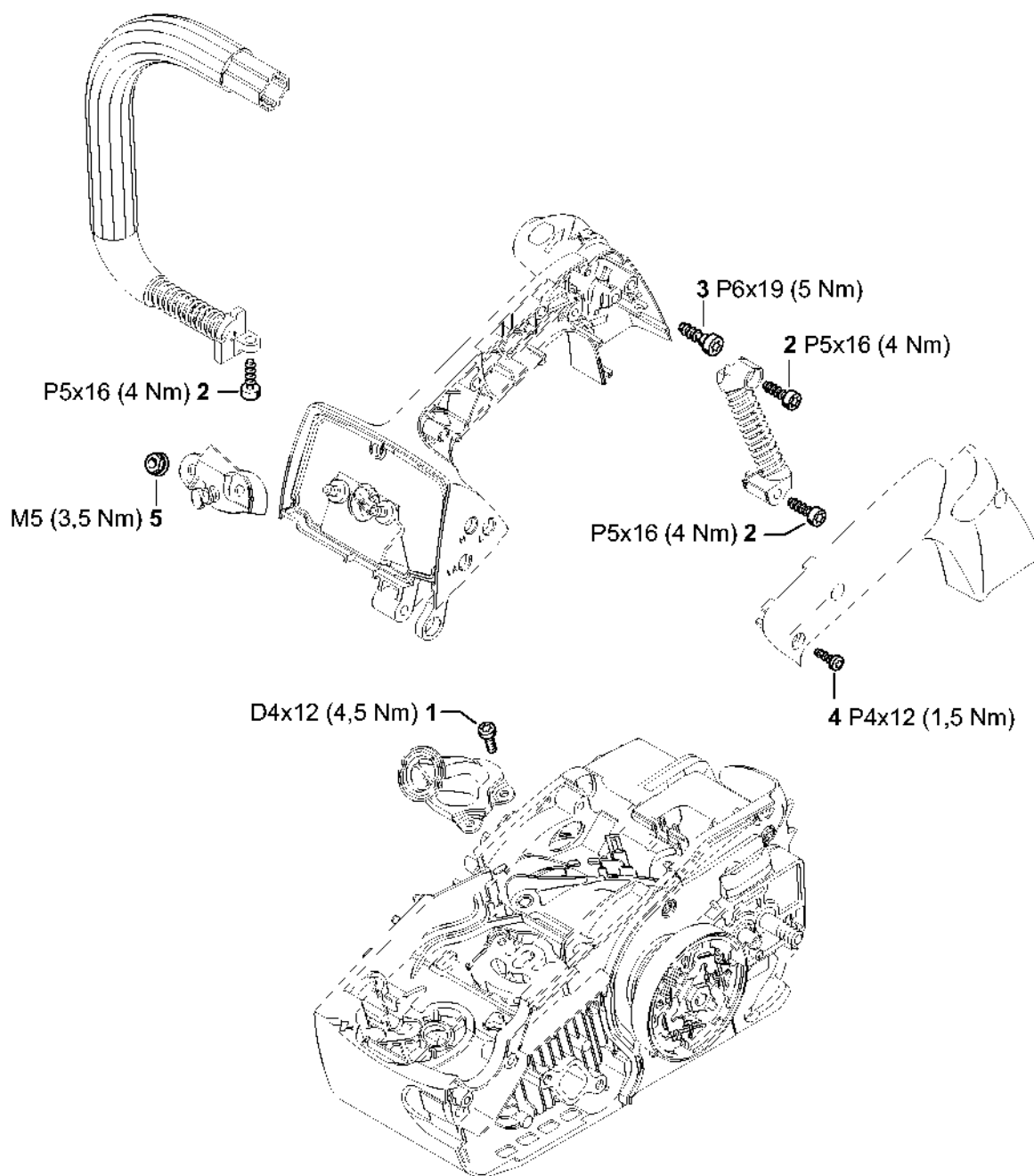


1137-GET-0013-40

# Tightening torques

| #  | Part Number   | Description                          | Quantity | Contains Item(s) | Remarks        |
|----|---------------|--------------------------------------|----------|------------------|----------------|
| 1  | 9075 478 4136 | Pan head self-tapping screw IS-D5x20 | 4        |                  | Binding thread |
| 2  | 0000 951 1100 | Screw                                | 4        |                  |                |
| 3  | 9075 478 3022 | Pan head self-tapping screw IS-D4x20 | 2        |                  | Binding thread |
| 4  | 0000 400 7011 | Spark plug NGK CMR6H                 | 1        |                  |                |
| 5  | 9022 341 0983 | Spline screw IS-M5x16                | 2        |                  | Binding thread |
| 6  | 9039 475 0656 | Self-tapping screw M4x9.6            | 1        |                  |                |
| 7  | 0000 955 0802 | Collar nut M8x1                      | 1        |                  |                |
| 8  | 1137 160 2001 | Clutch                               | 1        |                  |                |
| 9  | 0000 664 2412 | Collar screw D8                      | 1        |                  |                |
| 10 | 0000 664 2415 | Collar screw D9/M8                   | 1        |                  |                |
| 11 | 0000 664 2402 | Collar screw D8                      | 1        |                  |                |
| 12 | 9075 478 3022 | Pan head self-tapping screw IS-D4x20 | 1        |                  | Binding thread |
| 13 | 9075 478 3015 | Pan head self-tapping screw IS-D4x15 | 1        |                  |                |
| 14 | 1129 791 6100 | Screw                                | 1        |                  |                |
| 15 | 9074 477 2995 | Pan head self-tapping screw IS-P4x12 | 2        |                  |                |
| 16 | 9074 478 4435 | Pan head self-tapping screw IS-P6x19 | 1        |                  |                |
| 27 | 9074 477 4130 | Screw IS P5x16                       | 2        |                  |                |
| 18 | 9074 477 2995 | Pan head self-tapping screw IS-P4x12 | 5        |                  |                |
| 19 | 9104 003 2960 | Self-tapping screw P4x10             | 1        |                  |                |
| 20 | 9074 477 4130 | Screw IS P5x16                       | 4        |                  |                |

# Tightening torques

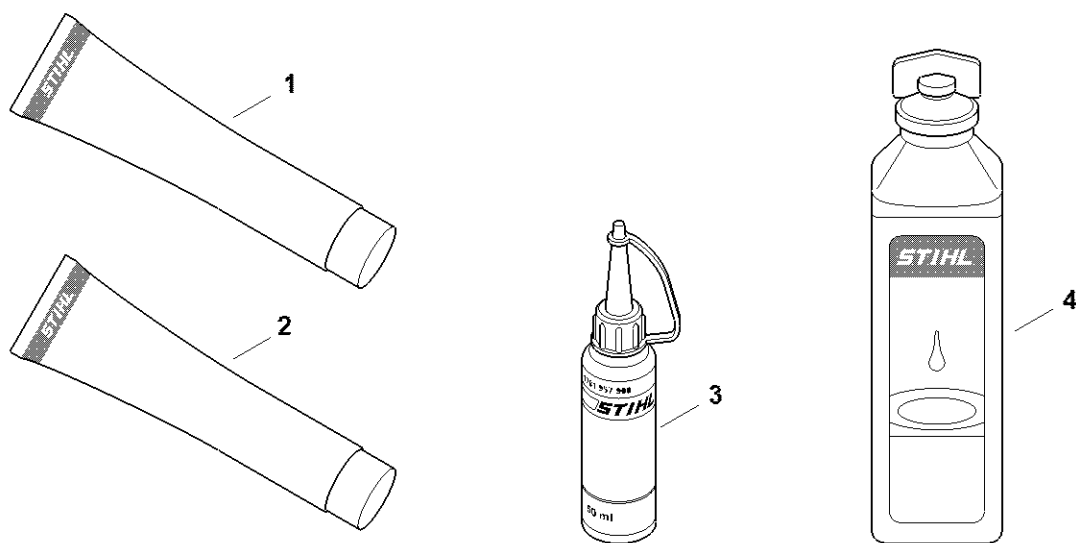


467ET012-SC

# Tightening torques

| # | Part Number   | Description                          | Quantity | Contains Item(s) | Remarks        |
|---|---------------|--------------------------------------|----------|------------------|----------------|
| 1 | 9075 478 3012 | Pan head self-tapping screw IS-D4x12 | 3        |                  |                |
| 2 | 9074 477 4130 | Screw IS P5x16                       | 3        |                  |                |
| 3 | 9074 478 4435 | Pan head self-tapping screw IS-P6x19 | 1        |                  |                |
| 4 | 9074 477 2995 | Pan head self-tapping screw IS-P4x12 | 3        |                  | Binding thread |
| 5 | 9216 261 0700 | Hexagon nut M5                       | 2        |                  |                |

# Miscellaneous lubricants and greases

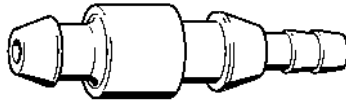


0000-GET-0189-A0

# Miscellaneous lubricants and greases

| # | Part Number   | Description                      | Quantity | Contains Item(s) | Remarks |
|---|---------------|----------------------------------|----------|------------------|---------|
| 1 | 0781 120 1021 | Multi-purpose grease (tube 40 g) | 1        |                  |         |
| 1 | 0781 120 1109 | Multi-purpose grease (tube 80 g) | 1        |                  |         |
| 1 | 0781 120 1110 | Multipurpose grease 225 g        | 1        |                  |         |
| 2 | 0783 830 2000 | Sealant, Dirko HT red            | 1        |                  |         |
| 3 | 0781 957 9000 | Press fluid OH 723               | 1        |                  |         |
| 4 | 0781 319 8401 | HP 100ml                         | 1        |                  |         |
| 4 | 0781 319 8052 | HP Super 100ml                   | 1        |                  |         |
| 4 | 0781 319 8060 | HP Ultra 100ml                   | 1        |                  |         |

# Nipple



901SW008 GM

# Nipple

| # | Part Number   | Description | Quantity | Contains Item(s) | Remarks |
|---|---------------|-------------|----------|------------------|---------|
|   | 0000 855 9200 | Nipple      | 1        |                  |         |



# Installing tool

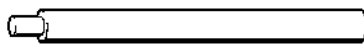


9015W009 GM

# Installing tool

| # | Part Number   | Description     | Quantity | Contains Item(s) | Remarks |
|---|---------------|-----------------|----------|------------------|---------|
|   | 0000 890 2201 | Installing tool | 1        |                  |         |
|   | 9210 319 0900 | Hexagon nut M6  | 1        |                  |         |

# Assembly drift



901SW047 GM

# Assembly drift

| # | Part Number   | Description    | Quantity | Contains Item(s) | Remarks |
|---|---------------|----------------|----------|------------------|---------|
|   | 1114 893 4700 | Assembly drift | 1        |                  |         |

# Sealing plate

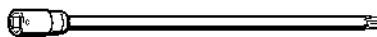


901SW078-GM

# Sealing plate

| # | Part Number   | Description   | Quantity | Contains Item(s) | Remarks |
|---|---------------|---------------|----------|------------------|---------|
|   | 0000 855 8106 | Sealing plate | 1        |                  |         |

# Socket, T20x125



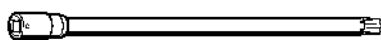
9015W090 GM

# Socket, T20x125

| # | Part Number   | Description                            | Quantity | Contains Item(s) | Remarks |
|---|---------------|--|----------|------------------|---------|
|   | 0812 542 2041 | Driver bit, 1/4" square drive, T20x125 | 1        |                  |         |



# Socket, T27x125

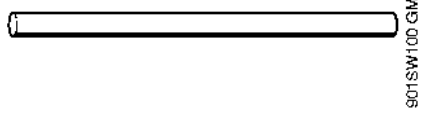


901SW091 GM

# Socket, T27x125

| # | Part Number   | Description                            | Quantity | Contains Item(s) | Remarks |
|---|---------------|--|----------|------------------|---------|
|   | 0812 542 2104 | Driver bit, 1/4" square drive, T27x125 | 1        |                  |         |

# Hose 135 mm / 5 5/16"



# Hose 135 mm / 5 5/16"

| # | Part Number   | Description           | Quantity | Contains Item(s) | Remarks |
|---|---------------|-----------------------|----------|------------------|---------|
|   | 1110 141 8600 | Hose 135 mm / 5 5/16" | 1        |                  |         |

# Assembly tube

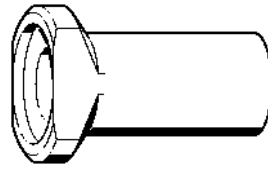


901SW112.GM

# Assembly tube

| # | Part Number   | Description   | Quantity | Contains Item(s) | Remarks |
|---|---------------|---------------|----------|------------------|---------|
|   | 1117 890 0900 | Assembly tube | 1        |                  |         |

# Press sleeve



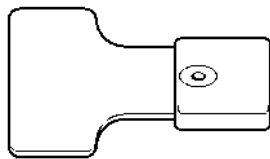
901SW152.GM

# Press sleeve

| # | Part Number   | Description  | Quantity | Contains Item(s) | Remarks |
|---|---------------|--------------|----------|------------------|---------|
|   | 4112 893 2401 | Press sleeve | 1        |                  |         |



# Setting gauge

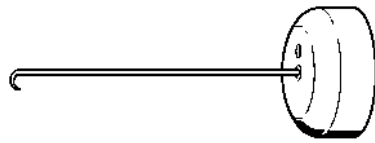


90T5W163 CM

# Setting gauge

| # | Part Number   | Description   | Quantity | Contains Item(s) | Remarks |
|---|---------------|---------------|----------|------------------|---------|
|   | 4118 890 6401 | Setting gauge | 1        |                  |         |

# Assembly hook



901SW205 GM

# Assembly hook

| # | Part Number   | Description   | Quantity | Contains Item(s) | Remarks |
|---|---------------|---------------|----------|------------------|---------|
|   | 5910 890 2800 | Assembly hook | 1        |                  |         |

# Stud puller, M8

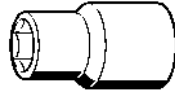


901SW209 GM

# Stud puller, M8

| # | Part Number   | Description     | Quantity | Contains Item(s) | Remarks |
|---|---------------|-----------------|----------|------------------|---------|
|   | 5910 893 0501 | Stud puller, M8 | 1        |                  |         |

# Socket, 13 mm



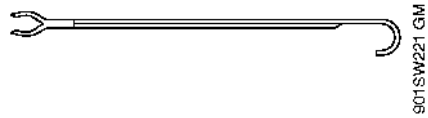
901SW217 GM

# Socket, 13 mm

| # | Part Number   | Description   | Quantity | Contains Item(s) | Remarks |
|---|---------------|---------------|----------|------------------|---------|
|   | 5910 893 5608 | Socket, 13 mm | 1        |                  |         |



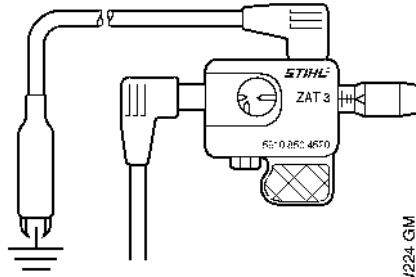
# Assembly hook



# Assembly hook

| # | Part Number   | Description   | Quantity | Contains Item(s) | Remarks |
|---|---------------|---------------|----------|------------------|---------|
|   | 5910 893 8800 | Assembly hook | 1        |                  |         |

# Ignition system tester, ZAT 3

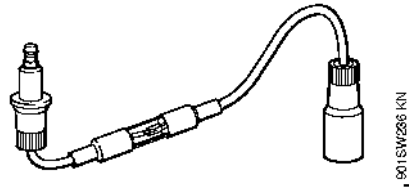


901SW224-GM

# Ignition system tester, ZAT 3

| # | Part Number   | Description                   | Quantity | Contains Item(s) | Remarks |
|---|---------------|-------------------------------|----------|------------------|---------|
|   | 5910 850 4520 | Ignition system tester, ZAT 3 | 1        |                  |         |

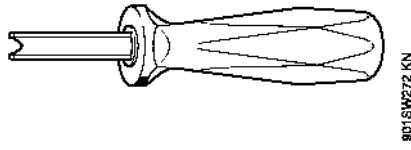
# Ignition system tester, ZAT 4



# Ignition system tester, ZAT 4

| # | Part Number   | Description                   | Quantity | Contains Item(s) | Remarks |
|---|---------------|-------------------------------|----------|------------------|---------|
|   | 5910 850 4503 | Ignition system tester, ZAT 4 | 1        |                  |         |

# Puller

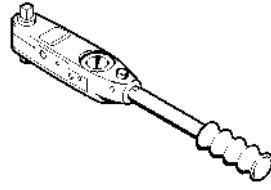


# Puller

| # | Part Number   | Description | Quantity | Contains Item(s) | Remarks |
|---|---------------|-------------|----------|------------------|---------|
|   | 5910 890 4501 | Puller      | 1        |                  |         |



# Torque wrench with optical/acoustic signal

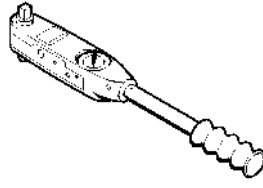


901SW290 KN

# Torque wrench with optical/acoustic signal

| # | Part Number   | Description                                | Quantity | Contains Item(s) | Remarks |
|---|---------------|--|----------|------------------|---------|
|   | 5910 890 0312 | Torque wrench with optical/acoustic signal | 1        |                  |         |

# Torque wrench

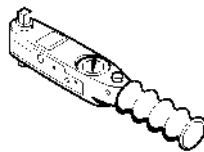


9015W251 KN

# Torque wrench

| # | Part Number   | Description   | Quantity | Contains Item(s) | Remarks |
|---|---------------|---------------|----------|------------------|---------|
|   | 5910 890 0311 | Torque wrench | 1        |                  |         |

# Torque wrench with optical/acoustic signal

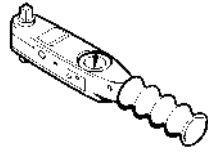


90/15W262 KN

# Torque wrench with optical/acoustic signal

| # | Part Number | Description   | Quantity | Contains Item(s) | Remarks |
|---|-------------|---------------|----------|------------------|---------|
|   |             | Torque wrench | 1        |                  |         |

# Torque wrench



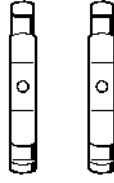
9015W28 KN

# Torque wrench

| # | Part Number   | Description   | Quantity | Contains Item(s) | Remarks |
|---|---------------|---------------|----------|------------------|---------|
|   | 5910 890 0301 | Torque wrench | 1        |                  |         |



# Jaw (profile No. 3.1 and 4)

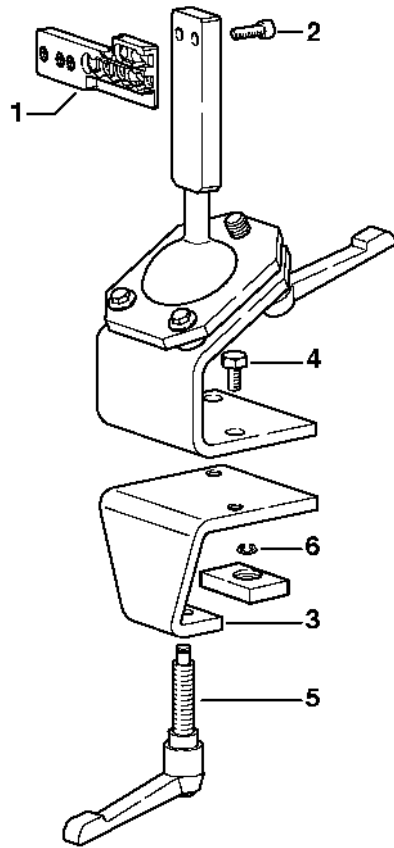


MS 268MAS106

## Jaw (profile No. 3.1 and 4)

| # | Part Number   | Description                 | Quantity | Contains Item(s) | Remarks |
|---|---------------|-----------------------------|----------|------------------|---------|
|   | 0000 893 3706 | Jaw (profile No. 3.1 and 4) | 1        |                  |         |

# Assembly stand

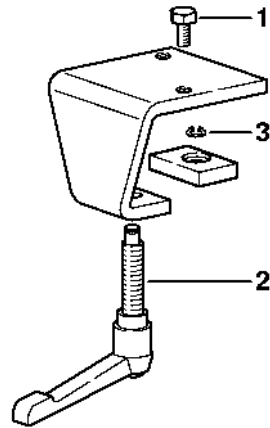


90151633 SC

# Assembly stand

| # | Part Number   | Description               | Quantity | Contains Item(s) | Remarks |
|---|---------------|---------------------------|----------|------------------|---------|
|   | 5910 890 3101 | Assembly stand            | 1        | 1 - 6            |         |
| 1 | 5910 850 1651 | Support                   | 1        |                  |         |
| 2 | 9045 319 2390 | Socket head screw M10x25  | 2        |                  |         |
| 3 | 5910 850 2100 | Clamping plate            | 1        | 4 - 6            |         |
| 4 | 9008 319 2930 | Hexagon head screw M12x20 | 2        |                  |         |
| 5 | 5910 890 1901 | Clamp lever               | 1        |                  |         |
| 6 | 9455 621 0850 | Circlip 10x1              | 1        |                  |         |

# Clamping plate

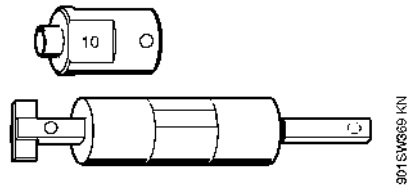


901SM364 SC

# Clamping plate

| #        | Part Number   | Description               | Quantity | Contains Item(s) | Remarks |
|----------|---------------|---------------------------|----------|------------------|---------|
|          | 5910 850 2100 | Clamping plate            | 1        | 1 - 3            |         |
| <b>1</b> | 9008 319 2930 | Hexagon head screw M12x20 | 2        |                  |         |
| <b>2</b> | 5910 890 1901 | Clamp lever               | 1        |                  |         |
| <b>3</b> | 9455 621 0850 | Circlip 10x1              | 1        |                  |         |

# Installing tool, 10

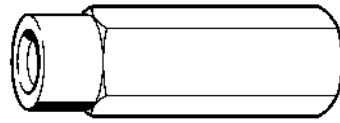


# Installing tool, 10

| # | Part Number   | Description         | Quantity | Contains Item(s) | Remarks |
|---|---------------|---------------------|----------|------------------|---------|
|   | 5910 890 2210 | Installing tool, 10 | 1        |                  |         |
|   | 5910 893 1707 | Sleeve              | 1        |                  |         |



# Puller

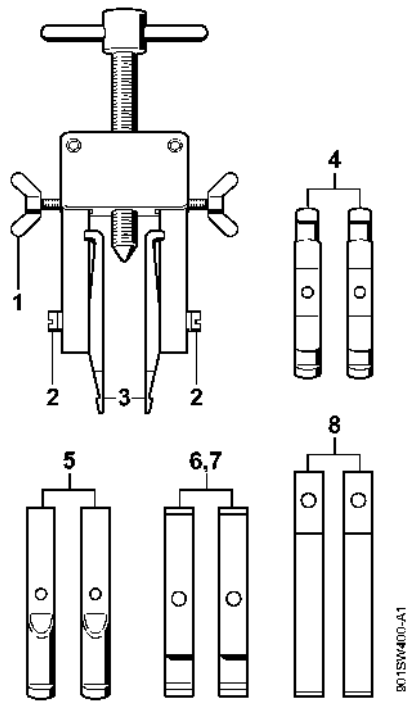


801516385 KN

# Puller

| # | Part Number   | Description | Quantity | Contains Item(s) | Remarks |
|---|---------------|-------------|----------|------------------|---------|
|   | 5910 893 0801 | Puller      | 1        |                  |         |

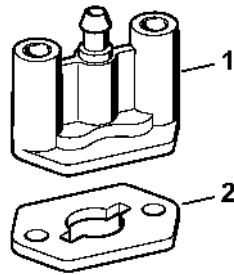
# Puller



# Puller

| # | Part Number   | Description                 | Quantity | Contains Item(s) | Remarks |
|---|---------------|-----------------------------|----------|------------------|---------|
|   | 5910 890 4400 | Puller                      | 1        | 1 - 8            |         |
| 1 | 9157 691 0980 | Wing screw M5x16            | 2        |                  |         |
| 2 | 9044 319 0980 | Pan head screw M5x16        | 2        |                  |         |
| 3 | 0000 893 3700 | Jaw (profile No. 1 and 2)   | 2        |                  |         |
| 4 | 0000 893 3706 | Jaw (profile No. 3.1 and 4) | 2        |                  |         |
| 5 | 0000 893 3711 | Jaw (profile No. 6)         | 2        |                  |         |
| 6 | 0000 893 3703 | Jaw (profile No. 7)         | 2        |                  |         |
| 7 | 0000 893 3704 | Jaw (profile No. 8)         | 2        |                  |         |
| 8 | 0000 893 3707 | Jaw (profile No. 9)         | 2        |                  |         |

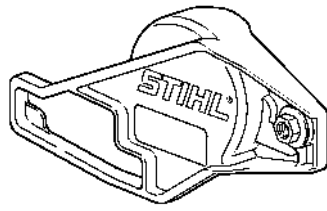
# Flange



5910-G3W-0006-A0

# Flange

| # | Part Number   | Description | Quantity | Contains Item(s) | Remarks |
|---|---------------|-------------|----------|------------------|---------|
| 1 | 5910 850 4206 | Flange      | 1        | 2                |         |
| 2 | 5910 851 9900 | Gasket      | 2        |                  |         |

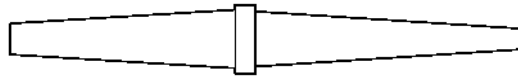


901SW465.GM

| # | Part Number   | Description | Quantity | Contains Item(s) | Remarks |
|---|---------------|-------------|----------|------------------|---------|
|   | 5910 890 3201 | Cover       | 1        |                  |         |



# Nipple

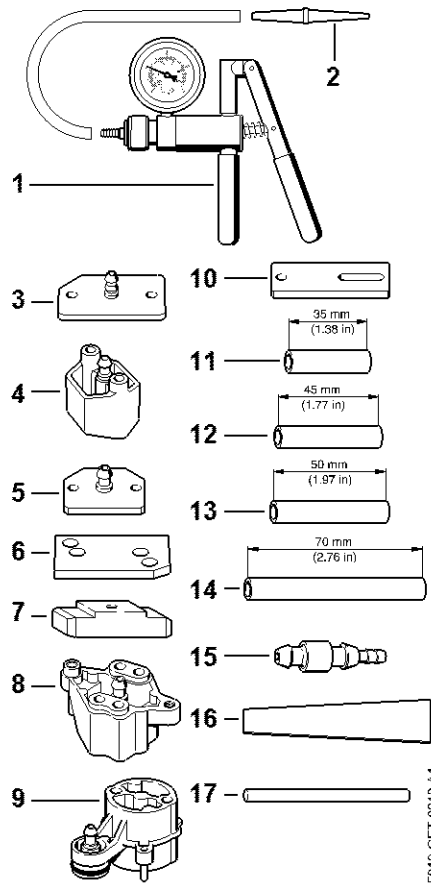


9013W496 GM

# Nipple

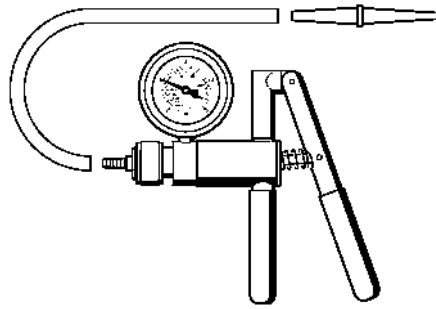
| # | Part Number   | Description | Quantity | Contains Item(s) | Remarks |
|---|---------------|-------------|----------|------------------|---------|
|   | 0000 855 9201 | Nipple      | 1        |                  |         |

# Testing tool kit



# Testing tool kit

| #  | Part Number   | Description           | Quantity | Contains Item(s) | Remarks |
|----|---------------|-----------------------|----------|------------------|---------|
|    | 0000 890 1701 | Testing tool kit      | 1        | 1 - 17           |         |
| 1  | 0000 850 1300 | Pump                  | 1        | 2                |         |
| 2  | 0000 855 9201 | Nipple                | 1        |                  |         |
| 3  | 1106 850 4201 | Flange                | 1        |                  |         |
| 4  | 1118 850 4200 | Flange                | 1        |                  |         |
| 5  | 1119 850 4201 | Test flange           | 1        |                  |         |
| 6  | 1123 855 4200 | Flange                | 1        |                  |         |
| 7  | 1124 850 4205 | Flange                | 1        |                  |         |
| 8  | 5910 850 4207 | Flange                | 1        |                  |         |
| 9  | 4224 890 1200 | Flange                | 1        |                  |         |
| 10 | 5910 855 4206 | Flange                | 1        |                  |         |
| 11 | 5910 893 1702 | Sleeve                | 2        |                  |         |
| 12 | 1123 851 8300 | Sleeve                | 2        |                  |         |
| 13 | 1124 893 7100 | Sleeve                | 2        |                  |         |
| 14 | 1127 851 8300 | Sleeve                | 2        |                  |         |
| 15 | 0000 855 9200 | Nipple                | 1        |                  |         |
| 16 | 0000 855 8106 | Sealing plate         | 1        |                  |         |
| 17 | 1110 141 8600 | Hose 135 mm / 5 5/16" | 1        |                  |         |



901 SW498 GM

# Pump

| # | Part Number   | Description | Quantity | Contains Item(s) | Remarks |
|---|---------------|-------------|----------|------------------|---------|
|   | 0000 850 1300 | Pump        | 1        |                  |         |
|   | 0000 855 9201 | Nipple      | 1        |                  |         |
|   | 0000 855 0100 | Hose        | 1        |                  |         |

# Stud puller, M8-7,5



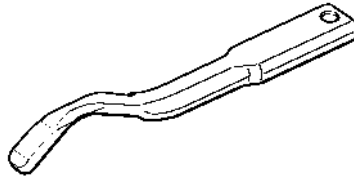
9015W502 GM

# Stud puller, M8-7,5

| # | Part Number   | Description        | Quantity | Contains Item(s) | Remarks |
|---|---------------|--------------------|----------|------------------|---------|
|   | 5910 890 3000 | Stud driver M8-7.5 | 1        |                  |         |



# Locking strip



901SW577 KN

# Locking strip

| # | Part Number   | Description   | Quantity | Contains Item(s) | Remarks |
|---|---------------|---------------|----------|------------------|---------|
|   | 0000 893 5905 | Locking strip | 1        |                  |         |

# Clamping strap

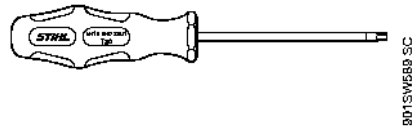


8015W66 SC

# Clamping strap

| # | Part Number   | Description    | Quantity | Contains Item(s) | Remarks |
|---|---------------|----------------|----------|------------------|---------|
|   | 1130 893 2601 | Clamping strap | 1        |                  |         |

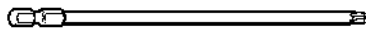
# Screwdriver, T20



# Screwdriver, T20

| # | Part Number   | Description      | Quantity | Contains Item(s) | Remarks |
|---|---------------|------------------|----------|------------------|---------|
|   | 5910 890 2301 | Screwdriver, T20 | 1        |                  |         |

# Socket, T20x140



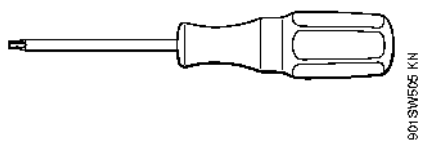
8015W630 SC

# Socket, T20x140

| # | Part Number   | Description                         | Quantity | Contains Item(s) | Remarks |
|---|---------------|-------------------------------------|----------|------------------|---------|
|   | 0812 540 1016 | Driver bit, 1/4" hex drive, T20x140 | 1        |                  |         |



# Screwdriver, T8



# Screwdriver, T8

| # | Part Number   | Description     | Quantity | Contains Item(s) | Remarks |
|---|---------------|-----------------|----------|------------------|---------|
|   | 5910 890 2310 | Screwdriver, T8 | 1        |                  |         |