

MS 192 C-E Z

Spare Parts List
12/15/2023
Australia, English

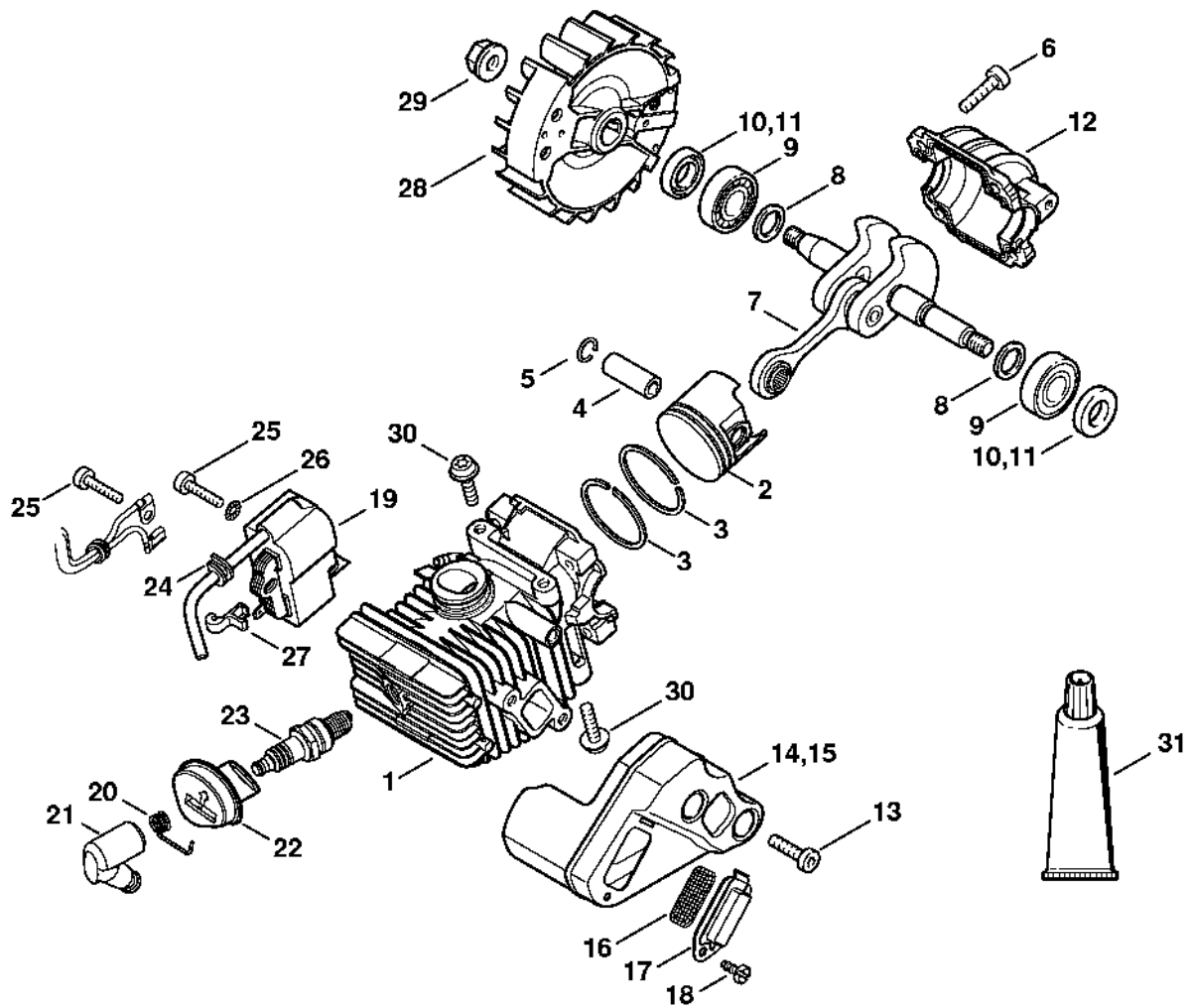
ErgoStart/Easy2Start

Muffler with spark arrestor

Contents

Cylinder with piston, Ignition system	2	Ignition system tester, ZAT 4	57
Motor housing	5	Puller	59
Oil pump, Clutch	8	Clamping strap	61
Chain sprocket cover	10	Torque wrench with optical/acoustic signal	63
Rewind starter	12	Torque wrench	65
Handle housing	14	Torque wrench with optical/acoustic signal	67
Air filter	16	Torque wrench	69
Carburetor C1Q-S259, C1Q-S124, C1Q-S124	18	Jaw (profile No. 3.1 and 4)	71
Tools, Extras	21	Assembly stand	73
Serial number	23	Clamping plate	75
Miscellaneous lubricants and greases	25	Installing tool, 10	77
Nipple	27	Puller	79
Installing tool	29	Puller	81
Assembly drift	31	Locking strip	83
Sealing plate	33	85
Socket, T20x125	35	Nipple	87
Socket, T27x125	37	Testing tool kit	89
Hose 135 mm / 5 5/16"	39	Pump	91
Assembly tube	41	Stud puller, M8-7,5	93
Press sleeve	43	Locking strip	95
Setting gauge	45	Screwdriver, T20	97
Assembly hook	47	Socket, T20x140	99
Stud puller, M8	49		
Socket, 13 mm	51		
Assembly hook	53		
Ignition system tester, ZAT 3	55		

Cylinder with piston, Ignition system



151ET000 GM

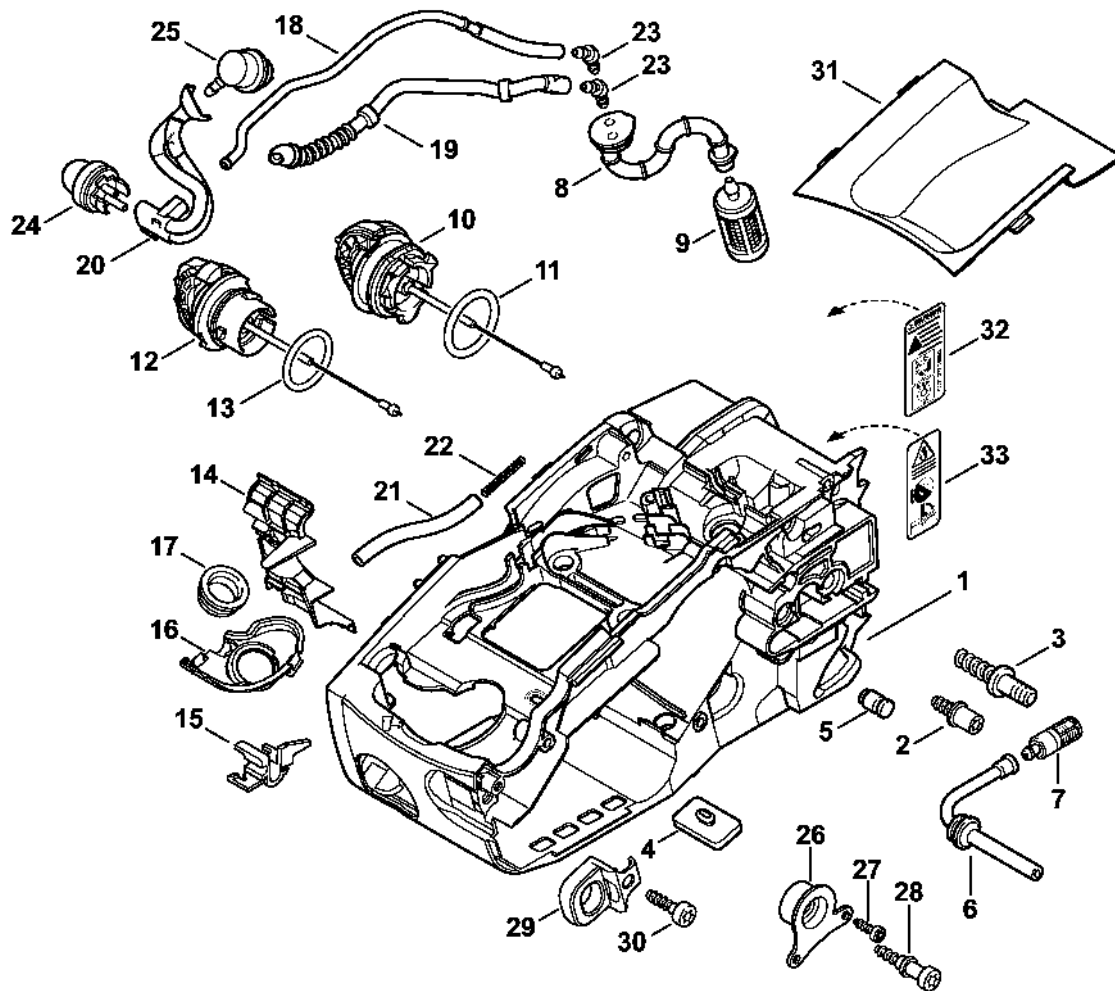
Cylinder with piston, Ignition system

#	Part Number	Description	Quantity	Contains Item(s)	Remarks
1	1137 020 1202	Cylinder with piston Ø 37 mm	1	2 - 6	
2	1137 030 2002	Piston Ø 37 mm	1	3 - 5	
3	1130 034 3003	Piston ring Ø 37x1.2 mm	2		
4	1132 034 1501	Piston pin 10x6.5x25	1		
5	9463 650 1000	Snap ring 10	1		
6	9075 478 4136	Pan head self-tapping screw IS-D5x20	4		
7	1137 030 0400	Crankshaft	1		
8	1137 036 0300	Washer	2		
9	9503 003 0210	Grooved ball bearing 6001	2		
10	9639 003 1205	Oil seal 12x22x4.5	2		
11	9639 003 1206	Oil seal 12x22x4.5	2		
12	1137 021 2500	Engine pan	1		
13	9075 478 4136	Pan head self-tapping screw IS-D5x20	6		
15	1137 140 0601	Muffler	1	16 - 18	USA, AUS, CDN
16	1137 141 9000	Screen	1		USA, AUS, CDN
17	1137 140 7400	Deflecting plate	1		USA, AUS, CDN
18	9099 021 0810	Self-tapping screw 4.2x9.5	1		USA, AUS, CDN
19	1137 400 1307	Ignition module	1		
20	0000 998 0604	Spark plug contact spring	1		
21	0000 405 1007	Spark plug boot	1		
22	1137 084 1601	Cover	1		
23	0000 400 7011	Spark plug NGK CMR6H	1		
24	0000 989 0507	Grommet	1		
25	9075 478 3022	Pan head self-tapping screw IS-D4x20	2		
26	9291 021 0100	Washer 4.3	1		
27	1137 448 1201	Lead retainer	1		
28	1137 400 1200	Flywheel	1		

Cylinder with piston, Ignition system

#	Part Number	Description	Quantity	Contains Item(s)	Remarks
29	0000 955 0802	Collar nut M8x1	1		
30	0000 951 1100	Screw	4		
31	0783 830 2000	Sealant, Dirko HT red	1		

Motor housing



151ET014 SC

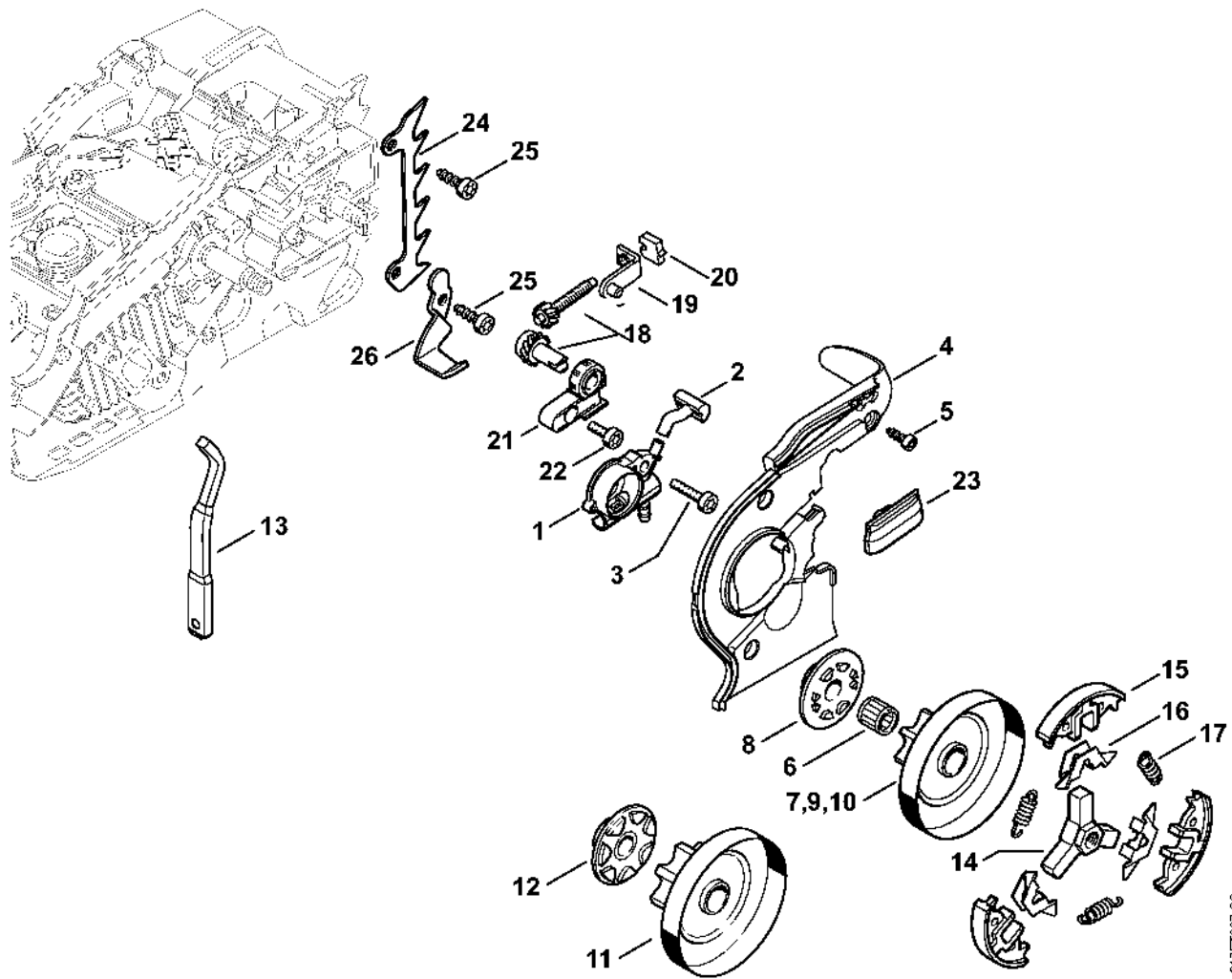
Motor housing

#	Part Number	Description	Quantity	Contains Item(s)	Remarks
1	1137 020 3009	Engine housing	1	2 - 13	
2	0000 664 2402	Collar screw D8	1		
3	1123 664 2400	Collar screw	1		
4	1129 352 5500	Clamp	1		
5	1128 640 9100	Valve	1		
6	1129 647 9400	Hose	1		
7	1123 640 3800	Pickup body	1		
8	1137 358 7700	Hose	1		
9	0000 350 3502	Pickup body	1		
10	0000 350 0533	Filler cap	1	11	
11	9645 948 7734	O-ring 25x3.5	1		
12	0000 350 0537	Oil filler cap	1	13	
13	9645 948 2470	O-ring 23x3	1		
14	1137 351 4001	Insulating plate	1		
15	1137 028 1500	Support	1		
16	1137 028 2900	Cover	1		
17	0000 664 4000	Grommet	1		
18	1137 350 5003	Tube	1	23	
19	1137 358 7703	Hose	1		
20	1137 358 7702	Hose	1		
21		Hose 3.1x5.7x82 mm, R3	1		
	0000 930 2803	Hose 3.1x5.7 mm x 1 m, R3	1		
22	0000 997 2003	Compression spring	1		
23	1137 353 2600	Elbow connector	2		
24	4130 350 6200	Fuel pump	1		
25	0000 350 5802	Tank vent	1		
26	1137 790 9900	Annular buffer	1		

Motor housing

#	Part Number	Description	Quantity	Contains Item(s)	Remarks
27	9074 477 2995	Pan head self-tapping screw IS-P4x12	2		
28	1129 791 6100	Screw	1		
29	1129 790 9700	Stop buffer	1		
30	9074 478 4435	Pan head self-tapping screw IS-P6x19	1		
31	1137 021 1101	Cover	1		
32	0000 967 7225	Warning pictogram Filler cap	1		USA
33	0000 967 3605	Warning pictogram Filler cap	1		USA

Oil pump, Clutch

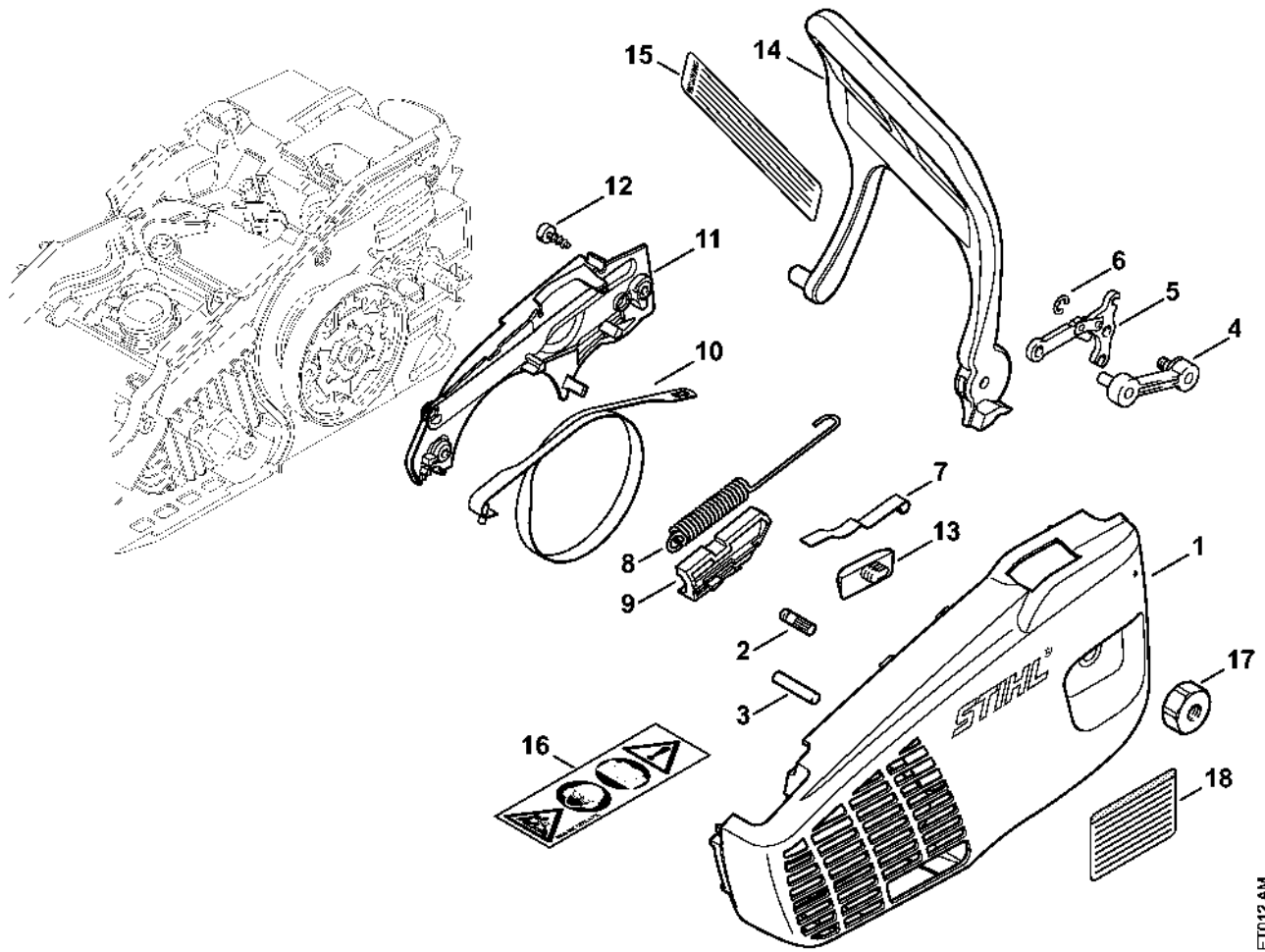


21/ETD27 SC

Oil pump, Clutch

#	Part Number	Description	Quantity	Contains Item(s)	Remarks
1	1137 640 3202	Oil pump	1	2	
2	1137 647 5701	Connector	1		
3	9075 478 3022	Pan head self-tapping screw IS-D4x20	1		
4	1137 021 1100	Cover	1		
5	9074 477 2995	Pan head self-tapping screw IS-P4x12	3		
6	9512 933 2270	Needle cage 10x13x13	1		
7	1137 640 2005	Chain sprocket 3/8" Picco 6T	1	13	
	1137 640 2009	Chain sprocket 1/4" 8T	1	8, 9, 13	
8	1146 640 7102	Worm gear 1/4"Picco / 3/8"Picco	1		
9	1137 640 2006	Chain sprocket 1/4" 8T	1	13	
10	1137 640 2008	Chain sprocket 1/4" Picco 8T	1	13	
11	1137 640 2007	Chain sprocket 3/8" Picco 7T	1	12, 13	
12	1129 640 7101	Worm gear 3/8" Picco 7T	1		
13	0000 893 5905	Locking strip	1		
14	1137 160 2000	Clutch	1	15 - 17	
15	1137 162 0800	Clutch shoe	3		
16	1121 162 3000	Retainer	3		
17	0000 997 5625	Tension spring	3		
18	1129 007 1000	Spur gear / chain adjusting screw kit	1		
19	1129 640 1900	Tensioner slide	1		
20	1123 664 1400	Thrust pad	1		
21	1123 664 2200	Cover	1		
22	9075 478 3015	Pan head self-tapping screw IS-D4x15	1		
23	1123 648 6600	Bumper strip	2		
24	1129 664 0500	Bumper spike	1		
25	9074 477 4130	Screw IS P5x16	2		
26	1129 656 7701	Chain catcher	1		

Chain sprocket cover

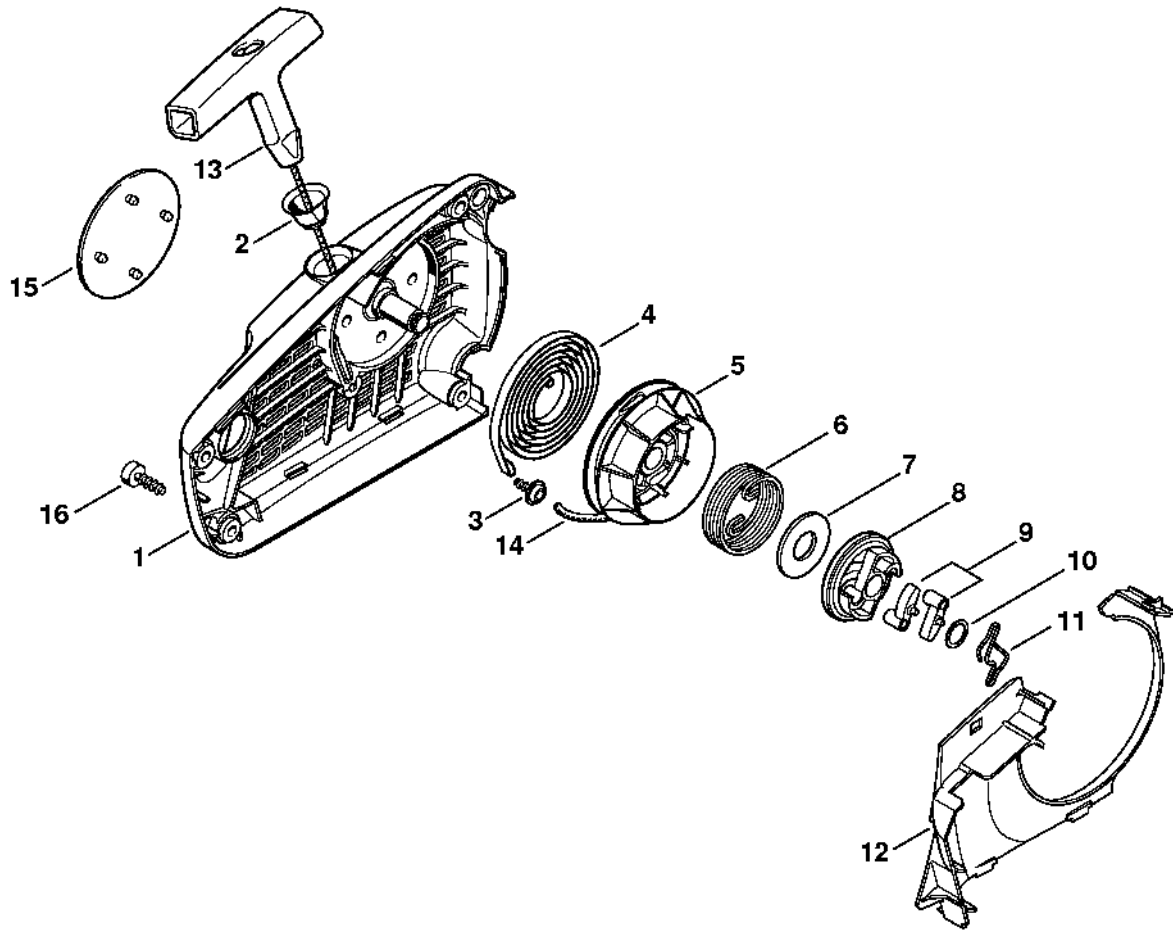


151ET012 AM

Chain sprocket cover

#	Part Number	Description	Quantity	Contains Item(s)	Remarks
	1137 640 1706	Chain sprocket cover	1	1 - 14	
1	1137 640 1701	Chain sprocket cover	1	2 - 4	
2	1120 162 5200	Pin	1		
3	9378 543 2700	Notched pin 5x30	1		
4	1129 640 5000	Insert	1		
5	1128 160 5000	Lever	1		
6	9460 624 0400	E-clip 4	1		
7	1129 162 7800	Flat spring	1		
8	1137 160 5502	Tension spring	1	9	
9	1137 162 6600	Limit stop	1		
10	1123 160 5400	Brake band	1		
11	1137 648 7700	Cover	1		
12	9074 477 2995	Pan head self-tapping screw IS-P4x12	2		
13	1123 648 6600	Bumper strip	1		
14	1137 792 9102	Hand guard	1		
15	0000 967 3630	Instruction label	1		USA
16	0000 967 4003	Warning pictogram MS	1		
17	0000 955 0801	Hexagon nut M8	1		
18	0000 967 4055	Warning Spark arresting screen	1		USA

Rewind starter

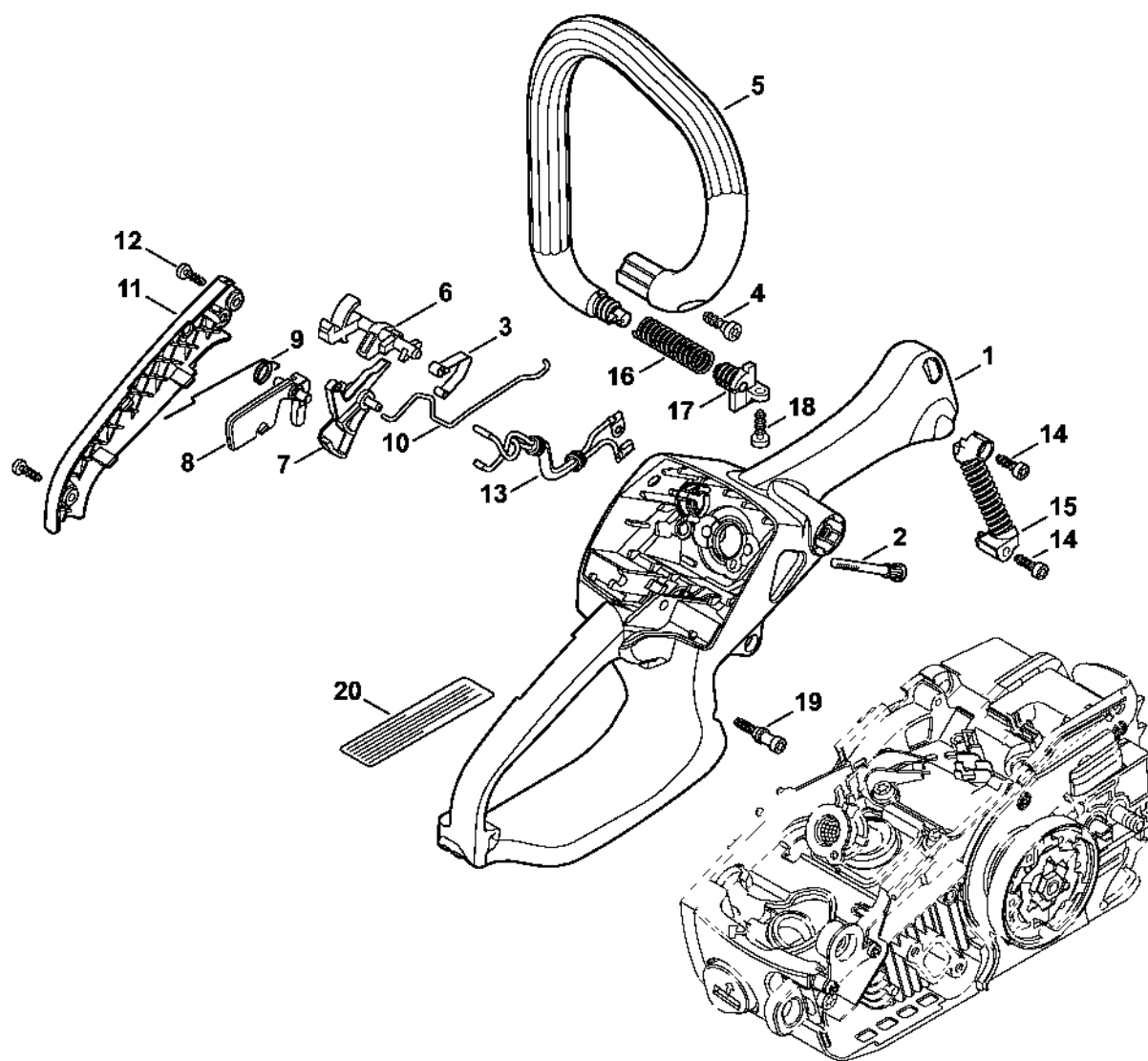


151ETD10 SC

Rewind starter

#	Part Number	Description	Quantity	Contains Item(s)	Remarks
	1137 080 2109	Fan housing with rewind starter	1	1 - 14	
1	1137 080 1809	Fan housing	1	2, 3	
2	1110 084 9102	Bushing	1		
3	9104 003 2960	Self-tapping screw P4x10	1		
4	1123 190 0600	Rewind spring	1		
5	1137 190 1000	Rope rotor	1	6 - 8	
6	1137 195 3501	Spring	1		
7	0000 958 1020	Washer	1		
8		Carrier	1		
9	1123 195 7200	Pawl	2		
10	0000 958 0923	Washer	1		
11	1128 195 3500	Spring	1		
12	1137 084 7800	Segment	1		
13	1121 195 3400	Starter grip	1		
14	0000 195 8204	Starter rope Ø 2.7x800 mm	1		
15	1137 967 1501	Model plate MS 192 C	1		
16	9074 477 4130	Screw IS P5x16	4		

Handle housing

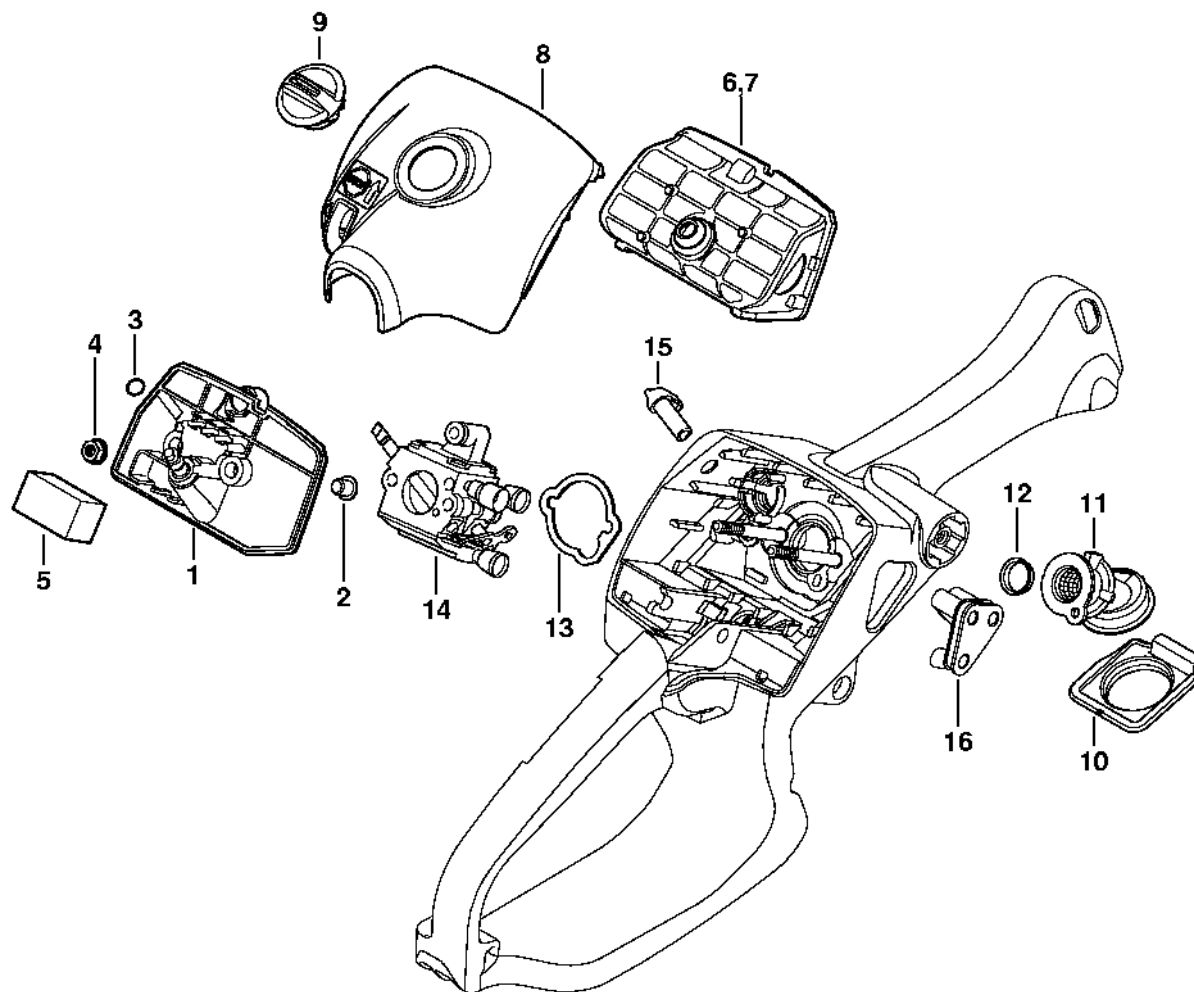


151ET016 SC

Handle housing

#	Part Number	Description	Quantity	Contains Item(s)	Remarks
1	1137 790 1002	Handle housing	1	2	
2	1121 122 6600	Collar screw	2		
3	1125 442 1600	Contact spring	1		
4	9074 478 4435	Pan head self-tapping screw IS-P6x19	1		
5	1137 791 1701	Handlebar	1		
6	1137 182 0901	Switch shaft	1		
7	1129 180 1501	Throttle trigger	1		
8	1129 182 0801	Lockout lever	1		
9	1129 182 4500	Torsion spring	1		
10	1137 182 1501	Throttle rod	1		
11	1137 791 0601	Handle molding	1		
12	9074 477 2995	Pan head self-tapping screw IS-P4x12	2		
13	1137 440 3001	Wiring harness	1		
14	9074 477 4130	Screw IS P5x16	2		
15	1137 790 8300	AV-Spring	1		
16	1137 791 3101	Spring	1		
17	1137 792 2902	AV mount	1		
18	9074 477 4130	Screw IS P5x16	1		
19	1129 791 6101	Collar screw	1		
20	0000 967 3500	Instruction label	1		USA

Air filter

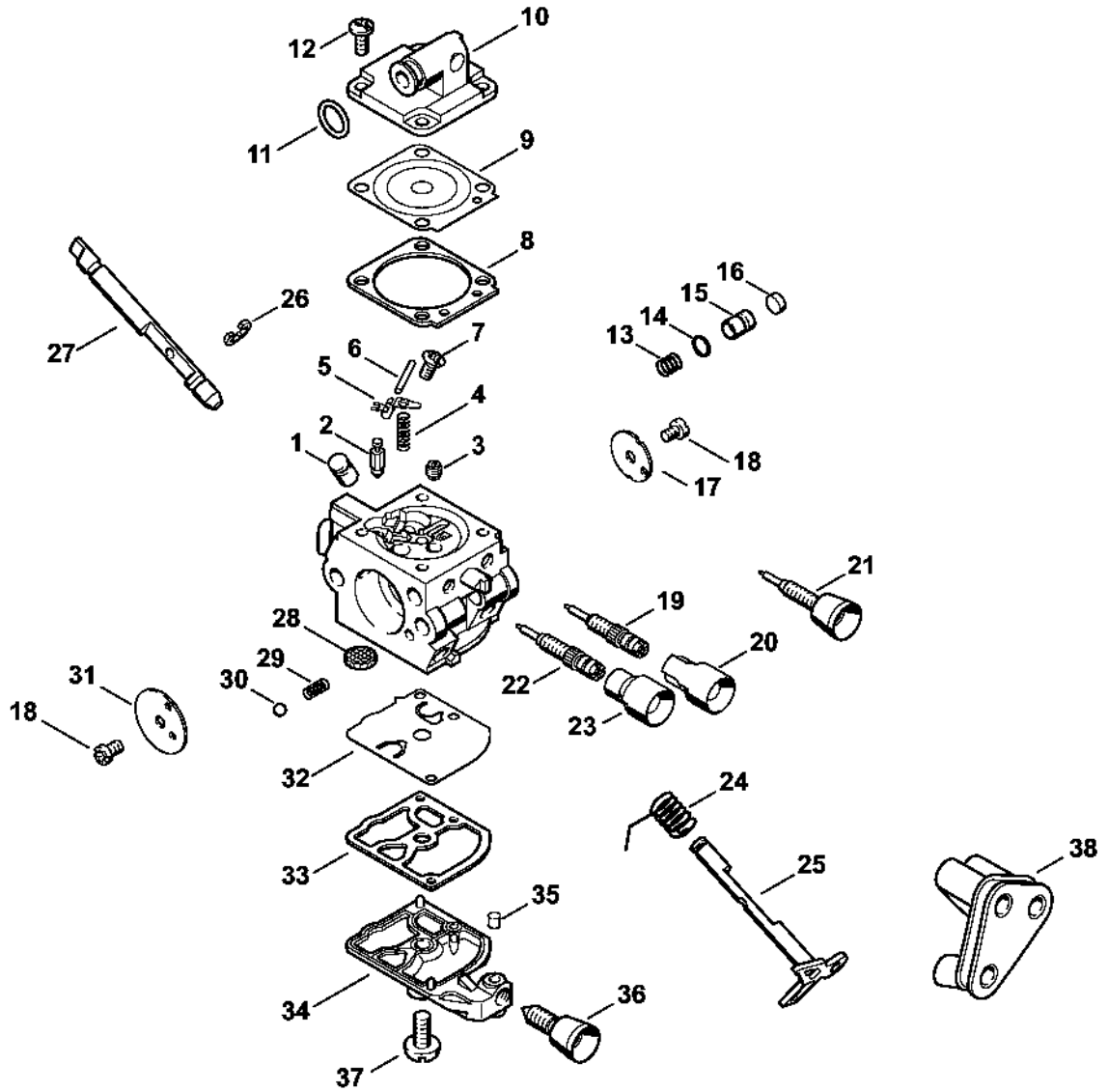


151ET005 GM

Air filter

#	Part Number	Description	Quantity	Contains Item(s)	Remarks
1	1137 120 3401	Filter base	1	2, 3	
2	9416 868 6531	Hollow rivet 6.5x0.5x6.8	2		
3	9645 945 7444	O-ring 4x1.5	1		
4	9216 261 0700	Hexagon nut M5	2		
5	1129 122 0100	Foam insert	1		
7	1137 120 1603	Air filter, fleece	1		
8	1137 140 1901	Carburetor box cover	1	9	
9	1137 140 9200	Twist lock	1		
10	1137 141 3300	Supporting plate	1		
11	1137 141 2201	Manifold	1		
12	1137 141 1800	Sleeve	1		
13	1129 121 8600	Washer	1		
14	1137 120 0652	Carburetor C1Q-S259A	1		
15	1137 121 6101	Choke lever	1		
16	1137 123 7505	Grommet	1		

Carburetor C1Q-S259, C1Q-S124, C1Q-S124



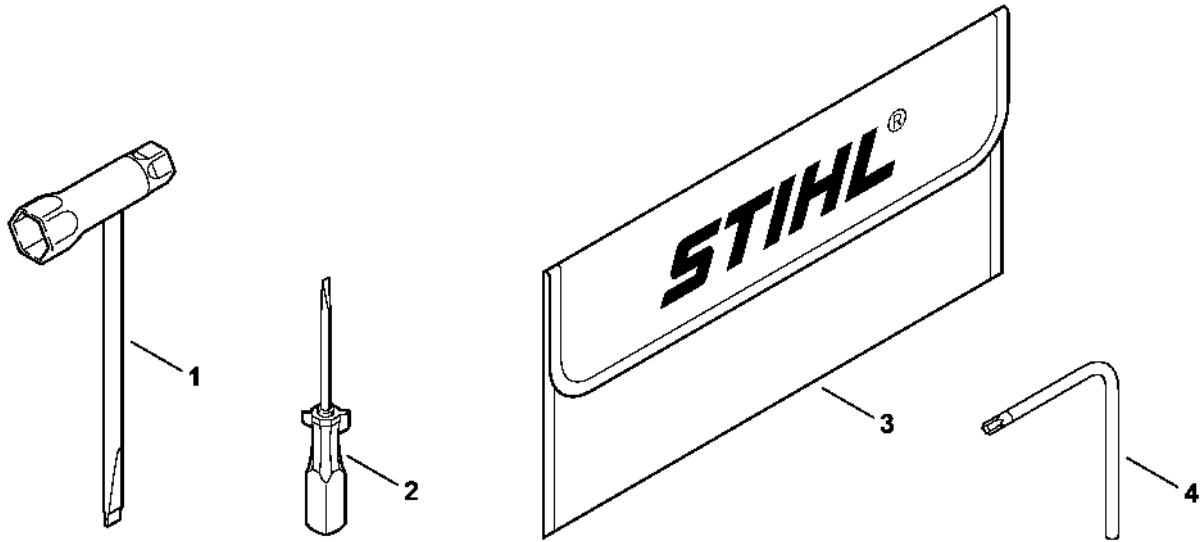
151ET016 SC

Carburetor C1Q-S259, C1Q-S124, C1Q-S124

#	Part Number	Description	Quantity	Contains Item(s)	Remarks
	1137 120 0652	Carburetor C1Q-S259A	1	1 - 20, 22 - 38	
	1137 120 0603	Carburetor C1Q-S124B	1	1 - 18, 21 - 37	
		Carburetor C1Q-S124	1	1 - 18, 21 - 37	
1	1137 121 5400	Valve jet	1		
2	Z000 018 Z000	Inlet needle	1		
3	4137 121 5600	Fixed jet 0.41	1		
4	1128 122 3000	Spring	1		
5	1125 121 5000	Inlet control lever	1		
6	1120 121 9200	Spindle	1		
7	1120 122 6600	Collar screw	1		
8	1129 129 0900	Metering gasket	1		
9	0000 121 4700	Metering diaphragm	1		
10	1130 121 0800	End cover	1		
11	9646 945 0490	O-ring 7x1.5	1		
12	1120 122 6601	Collar screw	4		
	1137 120 9703	Pump piston kit	1	13 - 16	
	1137 120 9701	Pump piston kit	1	13 - 16	
13		Spring	1		
14		Sealing ring	1		
15		Pump piston	1		
16		Plug	1		
17	1139 121 3300	Throttle shutter	1		
18	1125 122 7403	Round head screw	2		
19	1137 120 6802	Low speed screw	1	20	
20	0000 121 2703	Cap	1		
21	4228 122 6802	Low speed screw	1		
22	4229 122 6701	High speed screw	1		

Carburetor C1Q-S259, C1Q-S124, C1Q-S124

#	Part Number	Description	Quantity	Contains Item(s)	Remarks
23	4229 121 2701	Cap	1		
24	1123 122 3000	Spring	1		
25	1137 120 7101	Throttle shaft with lever	1		
26	1125 122 9001	E-clip	1		
27	1137 121 3000	Choke shaft	1		
28	1123 121 7800	Strainer	1		
29	4119 122 3002	Spring	1		
30	4119 122 4200	Ball	1		
31	1129 121 2900	Choke shutter	1		
32	1129 121 4800	Pump diaphragm	1		
33	1123 129 0905	Pump gasket	1		
34	1137 121 0800	End cover	1		
35	1125 122 4200	Clamp	1		
36	4229 122 6200	Idle speed screw	1		
37	1120 122 7800	Oval head screw	1		
38	1137 123 7505	Grommet	1		
	1129 007 1062	CARBURATOR PARTS KIT 020	1	8, 9, 32, 33	

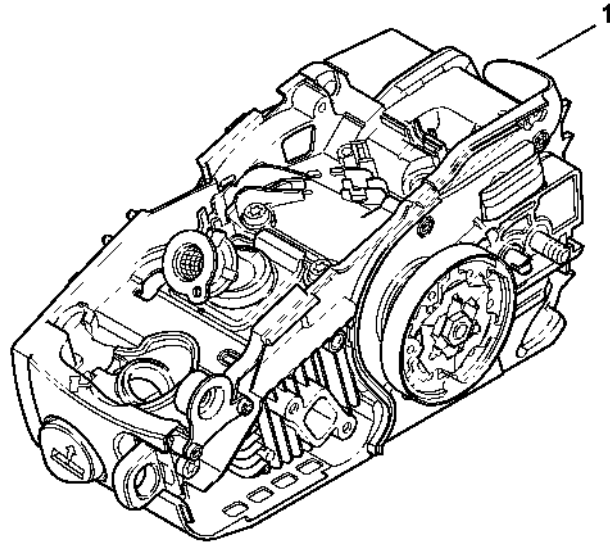


151ET017 SC

Tools, Extras

#	Part Number	Description	Quantity	Contains Item(s)	Remarks
1	0000 890 3400	Combination wrench	1		
2	0000 890 2300	Screwdriver	1		
3	0000 891 0810	Tool roll	1		
4	0812 370 1000	Screwdriver T27x120x70	1		

Serial number

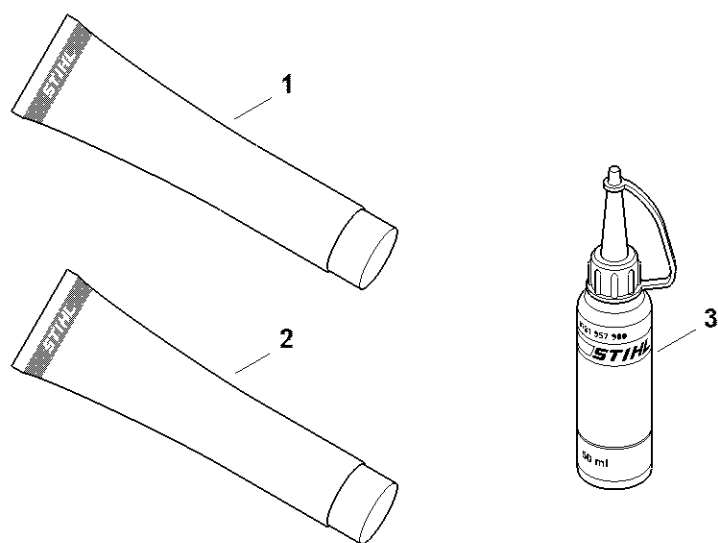


151ET016 SC

Serial number

#	Part Number	Description	Quantity	Contains Item(s)	Remarks
1		Position of serial number	1		

Miscellaneous lubricants and greases

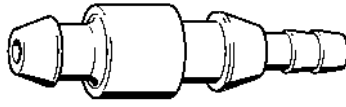


0000-GET-016E-A0

Miscellaneous lubricants and greases

#	Part Number	Description	Quantity	Contains Item(s)	Remarks
1	0781 120 1021	Multi-purpose grease (tube 40 g)	1		
1	0781 120 1109	Multi-purpose grease (tube 80 g)	1		
1	0781 120 1110	Multipurpose grease 225 g	1		
2	0783 830 2000	Sealant, Dirko HT red	1		
3	0781 957 9000	Press fluid OH 723	1		

Nipple



9015W008.GM

Nipple

#	Part Number	Description	Quantity	Contains Item(s)	Remarks
	0000 855 9200	Nipple	1		

Installing tool

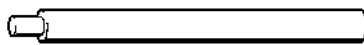


9015W009 GM

Installing tool

#	Part Number	Description	Quantity	Contains Item(s)	Remarks
	0000 890 2201	Installing tool	1		
	9210 319 0900	Hexagon nut M6	1		

Assembly drift



901SW047 GM

Assembly drift

#	Part Number	Description	Quantity	Contains Item(s)	Remarks
	1114 893 4700	Assembly drift	1		

Sealing plate

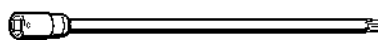


901SW078-GM

Sealing plate

#	Part Number	Description	Quantity	Contains Item(s)	Remarks
	0000 855 8106	Sealing plate	1		

Socket, T20x125

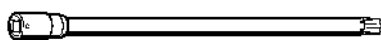


9015W090 GM

Socket, T20x125

#	Part Number	Description	Quantity	Contains Item(s)	Remarks
	0812 542 2041	Driver bit, 1/4" square drive, T20x125	1		

Socket, T27x125

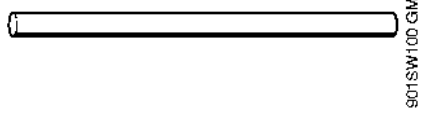


9015W091 GM

Socket, T27x125

#	Part Number	Description	Quantity	Contains Item(s)	Remarks
	0812 542 2104	Driver bit, 1/4" square drive, T27x125	1		

Hose 135 mm / 5 5/16"



Hose 135 mm / 5 5/16"

#	Part Number	Description	Quantity	Contains Item(s)	Remarks
	1110 141 8600	Hose 135 mm / 5 5/16"	1		

Assembly tube

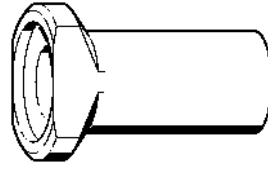


9015W112.GM

Assembly tube

#	Part Number	Description	Quantity	Contains Item(s)	Remarks
	1117 890 0900	Assembly tube	1		

Press sleeve

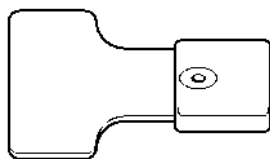


901SW152.GM

Press sleeve

#	Part Number	Description	Quantity	Contains Item(s)	Remarks
	4112 893 2401	Press sleeve	1		

Setting gauge

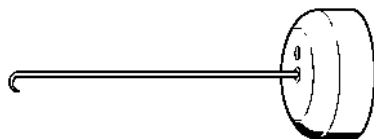


90T5W163 GM

Setting gauge

#	Part Number	Description	Quantity	Contains Item(s)	Remarks
	4118 890 6401	Setting gauge	1		

Assembly hook



901SW205 GM

Assembly hook

#	Part Number	Description	Quantity	Contains Item(s)	Remarks
	5910 890 2800	Assembly hook	1		

Stud puller, M8

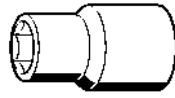


901SW209 GM

Stud puller, M8

#	Part Number	Description	Quantity	Contains Item(s)	Remarks
	5910 893 0501	Stud puller, M8	1		

Socket, 13 mm

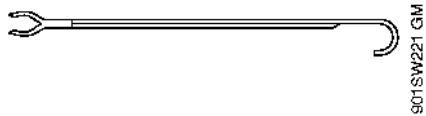


901SW217 GM

Socket, 13 mm

#	Part Number	Description	Quantity	Contains Item(s)	Remarks
	5910 893 5608	Socket, 13 mm	1		

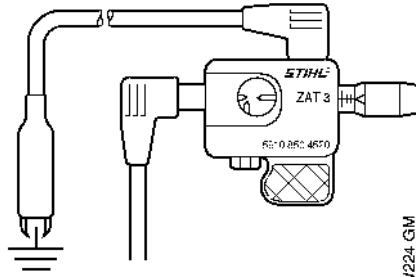
Assembly hook



Assembly hook

#	Part Number	Description	Quantity	Contains Item(s)	Remarks
	5910 893 8800	Assembly hook	1		

Ignition system tester, ZAT 3

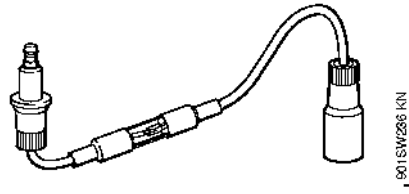


901SW224-GM

Ignition system tester, ZAT 3

#	Part Number	Description	Quantity	Contains Item(s)	Remarks
	5910 850 4520	Ignition system tester, ZAT 3	1		

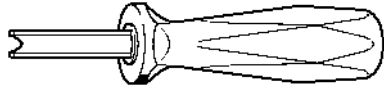
Ignition system tester, ZAT 4



Ignition system tester, ZAT 4

#	Part Number	Description	Quantity	Contains Item(s)	Remarks
	5910 850 4503	Ignition system tester, ZAT 4	1		

Puller

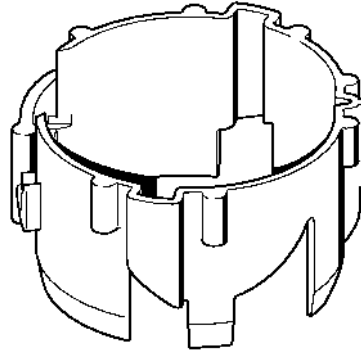


9016W272 KN

Puller

#	Part Number	Description	Quantity	Contains Item(s)	Remarks
	5910 890 4501	Puller	1		

Clamping strap

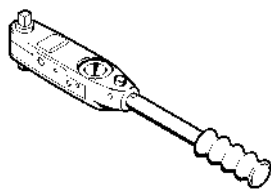


9015W274 104

Clamping strap

#	Part Number	Description	Quantity	Contains Item(s)	Remarks
	1137 893 2600	Clamping strap	1		

Torque wrench with optical/acoustic signal

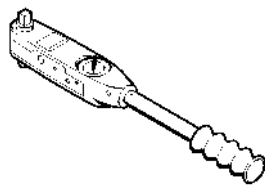


901SW290 KN

Torque wrench with optical/acoustic signal

#	Part Number	Description	Quantity	Contains Item(s)	Remarks
	5910 890 0312	Torque wrench with optical/acoustic signal	1		

Torque wrench

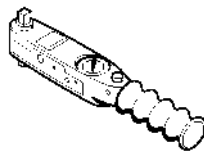


9015W251 KN

Torque wrench

#	Part Number	Description	Quantity	Contains Item(s)	Remarks
	5910 890 0311	Torque wrench	1		

Torque wrench with optical/acoustic signal

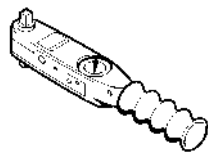


90/15W266 KN

Torque wrench with optical/acoustic signal

#	Part Number	Description	Quantity	Contains Item(s)	Remarks
		Torque wrench	1		

Torque wrench

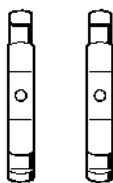


9015W286 KN

Torque wrench

#	Part Number	Description	Quantity	Contains Item(s)	Remarks
	5910 890 0301	Torque wrench	1		

Jaw (profile No. 3.1 and 4)

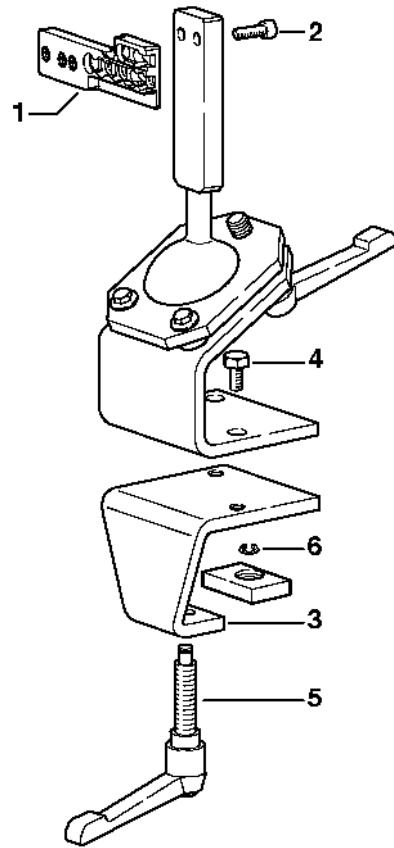


MS 268MAS106

Jaw (profile No. 3.1 and 4)

#	Part Number	Description	Quantity	Contains Item(s)	Remarks
	0000 893 3706	Jaw (profile No. 3.1 and 4)	1		

Assembly stand

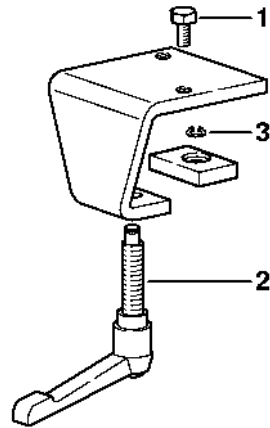


90151633 SC

Assembly stand

#	Part Number	Description	Quantity	Contains Item(s)	Remarks
	5910 890 3101	Assembly stand	1	1 - 6	
1	5910 850 1651	Support	1		
2	9045 319 2390	Socket head screw M10x25	2		
3	5910 850 2100	Clamping plate	1	4 - 6	
4	9008 319 2930	Hexagon head screw M12x20	2		
5	5910 890 1901	Clamp lever	1		
6	9455 621 0850	Circlip 10x1	1		

Clamping plate

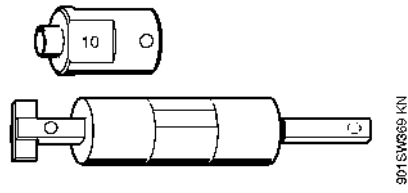


9015W364 SC

Clamping plate

#	Part Number	Description	Quantity	Contains Item(s)	Remarks
	5910 850 2100	Clamping plate	1	1 - 3	
1	9008 319 2930	Hexagon head screw M12x20	2		
2	5910 890 1901	Clamp lever	1		
3	9455 621 0850	Circlip 10x1	1		

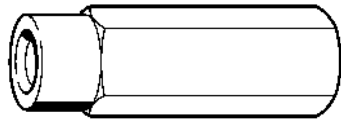
Installing tool, 10



Installing tool, 10

#	Part Number	Description	Quantity	Contains Item(s)	Remarks
	5910 890 2210	Installing tool, 10	1		
	5910 893 1707	Sleeve	1		

Puller

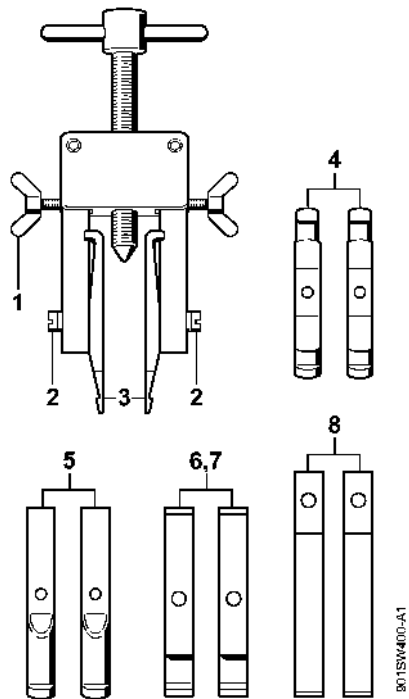


801516388 KN

Puller

#	Part Number	Description	Quantity	Contains Item(s)	Remarks
	5910 893 0801	Puller	1		

Puller



Puller

#	Part Number	Description	Quantity	Contains Item(s)	Remarks
	5910 890 4400	Puller	1	1 - 8	
1	9157 691 0980	Wing screw M5x16	2		
2	9044 319 0980	Pan head screw M5x16	2		
3	0000 893 3700	Jaw (profile No. 1 and 2)	2		
4	0000 893 3706	Jaw (profile No. 3.1 and 4)	2		
5	0000 893 3711	Jaw (profile No. 6)	2		
6	0000 893 3703	Jaw (profile No. 7)	2		
7	0000 893 3704	Jaw (profile No. 8)	2		
8	0000 893 3707	Jaw (profile No. 9)	2		

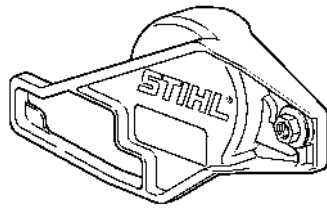
Locking strip



9015W474 SC

Locking strip

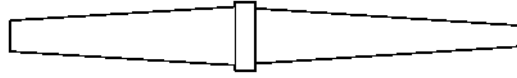
#	Part Number	Description	Quantity	Contains Item(s)	Remarks
	0000 893 5904	Locking strip	1		



901SW465.GM

#	Part Number	Description	Quantity	Contains Item(s)	Remarks
	5910 890 3201	Cover	1		

Nipple

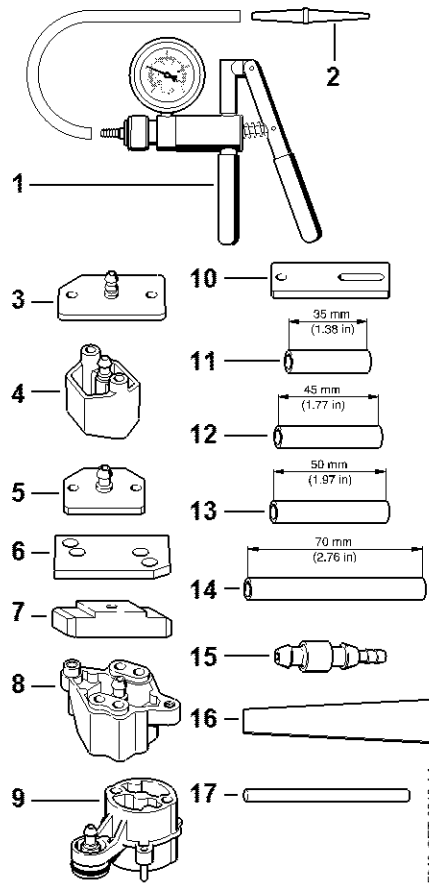


9013W496 GM

Nipple

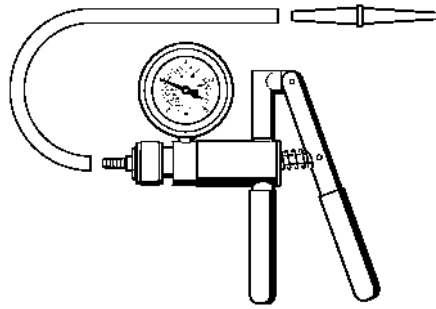
#	Part Number	Description	Quantity	Contains Item(s)	Remarks
	0000 855 9201	Nipple	1		

Testing tool kit



Testing tool kit

#	Part Number	Description	Quantity	Contains Item(s)	Remarks
	0000 890 1701	Testing tool kit	1	1 - 17	
1	0000 850 1300	Pump	1	2	
2	0000 855 9201	Nipple	1		
3	1106 850 4201	Flange	1		
4	1118 850 4200	Flange	1		
5	1119 850 4201	Test flange	1		
6	1123 855 4200	Flange	1		
7	1124 850 4205	Flange	1		
8	5910 850 4207	Flange	1		
9	4224 890 1200	Flange	1		
10	5910 855 4206	Flange	1		
11	5910 893 1702	Sleeve	2		
12	1123 851 8300	Sleeve	2		
13	1124 893 7100	Sleeve	2		
14	1127 851 8300	Sleeve	2		
15	0000 855 9200	Nipple	1		
16	0000 855 8106	Sealing plate	1		
17	1110 141 8600	Hose 135 mm / 5 5/16"	1		



901 SW498 GM

Pump

#	Part Number	Description	Quantity	Contains Item(s)	Remarks
	0000 850 1300	Pump	1		
	0000 855 9201	Nipple	1		
	0000 855 0100	Hose	1		

Stud puller, M8-7,5

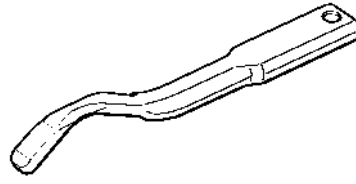


9015W502 GM

Stud puller, M8-7,5

#	Part Number	Description	Quantity	Contains Item(s)	Remarks
	5910 890 3000	Stud driver M8-7.5	1		

Locking strip

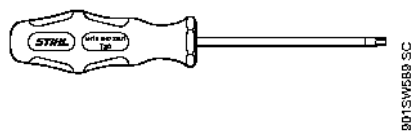


901SW577 KN

Locking strip

#	Part Number	Description	Quantity	Contains Item(s)	Remarks
	0000 893 5905	Locking strip	1		

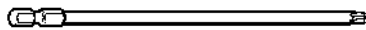
Screwdriver, T20



Screwdriver, T20

#	Part Number	Description	Quantity	Contains Item(s)	Remarks
	5910 890 2301	Screwdriver, T20	1		

Socket, T20x140



8015W630 SC

Socket, T20x140

#	Part Number	Description	Quantity	Contains Item(s)	Remarks
	0812 540 1016	Driver bit, 1/4" hex drive, T20x140	1		