

# MS 191 T

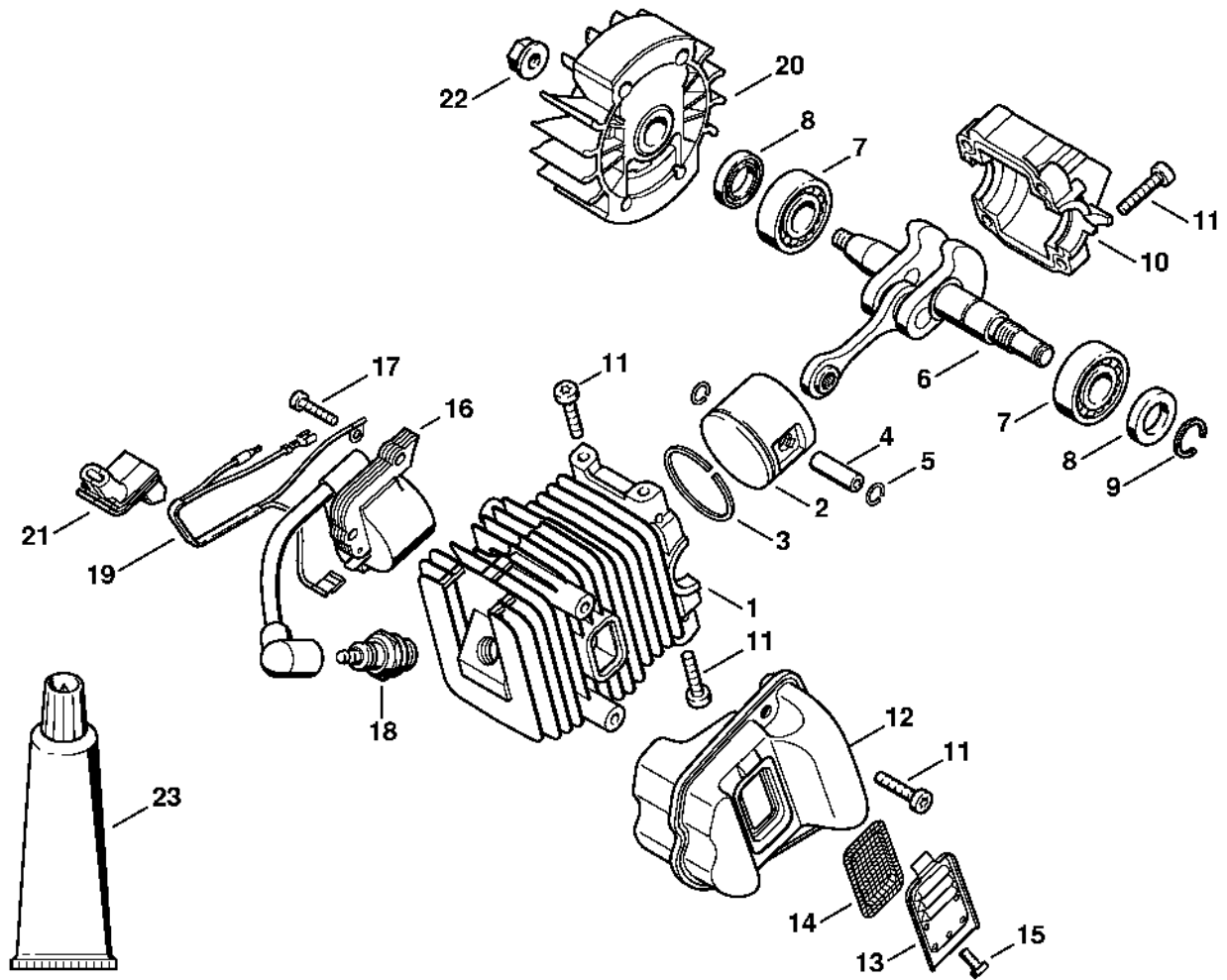
**Spare Parts List**  
**12/14/2023**  
**Australia, English**

## Tophandle

## Contents

Cylinder with piston, Ignition system .....	2	Clamping plate .....	61
Motor housing .....	4	Installing tool .....	63
Hand guard, Chain brake .....	7	Screw rod .....	65
Chain sprocket cover .....	9	Thrust piece .....	67
Fan housing, Handlebar .....	11	Press arbor .....	69
Air filter, Tools .....	14	Puller .....	71
Carburetor C1Q-S46 .....	16	Nipple .....	73
Nipple .....	19	Testing tool kit .....	75
Press sleeve .....	21	Pump .....	77
Sealing plate .....	23	Stud puller, M8-7,5 .....	79
Socket, T27x125 .....	25	Screwdriver, T27x150 .....	81
Hose 135 mm / 5 5/16" .....	27	Setting gauge .....	83
Setting gauge .....	29		
Installing tool .....	31		
Assembly tube .....	33		
Flange .....	35		
Puller .....	37		
Stud puller, M8 .....	39		
Socket, 13 mm .....	41		
Assembly hook .....	43		
Locking strip .....	45		
Torque wrench with optical/acoustic signal .....	47		
Torque wrench .....	49		
Torque wrench with optical/acoustic signal .....	51		
Torque wrench .....	53		
Jaw (profile No. 3.1 and 4) .....	55		
Assembly drift .....	57		
Assembly stand .....	59		

# Cylinder with piston, Ignition system

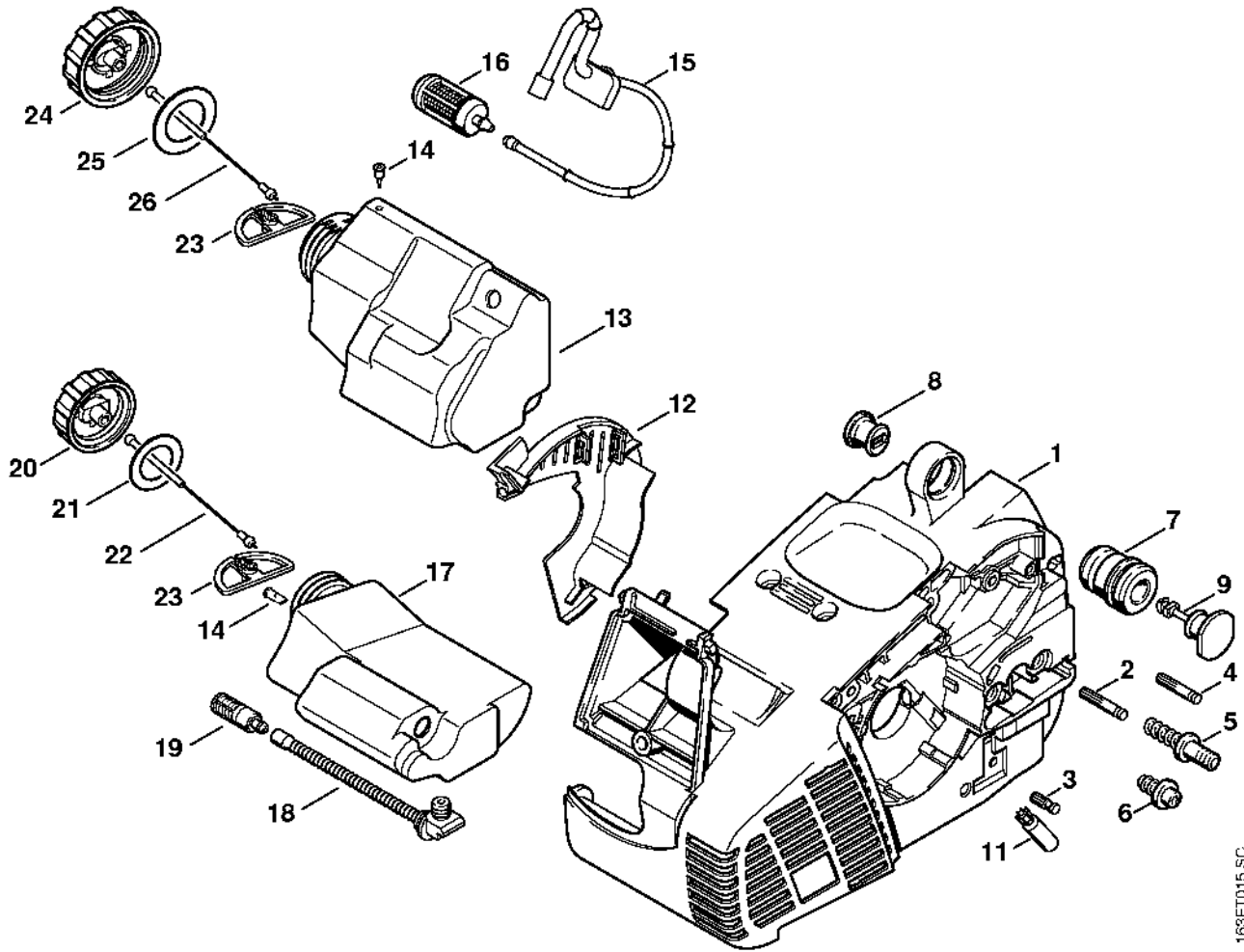


170ET024 SC

# Cylinder with piston, Ignition system

#	Part Number	Description	Quantity	Contains Item(s)	Remarks
1	1132 020 1200	Cylinder with piston Ø 40 mm	1	2 - 5, 11	
2	1132 030 2000	Piston Ø 40 mm	1	3 - 5	
3	1132 034 3000	Piston ring Ø 40x1.5 mm	1		
4	1130 034 1500	Piston pin 8x4x25	1		
5	9463 650 0805	Snap ring 8x0.7	2		
6	1132 030 0401	Crankshaft	1		
7	9503 003 0311	Grooved ball bearing 6002	2		
8	9638 003 1581	Oil seal 15x25x5	2		
8	9639 003 1585	Oil seal 15x25x5	2		
9	9468 621 1520	Circlip 15x1	1		
10	1132 021 2505	Engine pan	1		
11	9075 478 4159	Pan head self-tapping screw IS-D5x24	10		
12	1132 140 0601	Muffler	1	13, 15	
12	1132 140 0600	Muffler	1	13 - 15	CDN
13	1132 145 0600	Cover plate	1		
14	1132 141 9000	Screen	1		
15	9099 021 0810	Self-tapping screw 4.2x9.5	1		
16	1132 400 1300	Ignition module	1		
17	9075 478 3022	Pan head self-tapping screw IS-D4x20	2		
18	1110 400 7005	Spark plug Bosch WSR 6 F	1		
18	0000 400 7000	Spark plug NGK BPMR7A	1		
19	1132 440 3000	Wiring harness	1		
20	1130 400 1200	Flywheel	1		
21	1132 442 9001	Grommet	1		
22	0000 955 0802	Collar nut M8x1	1		
23	0783 830 2000	Sealant, Dirko HT red	1		

# Motor housing



168ET015 SC

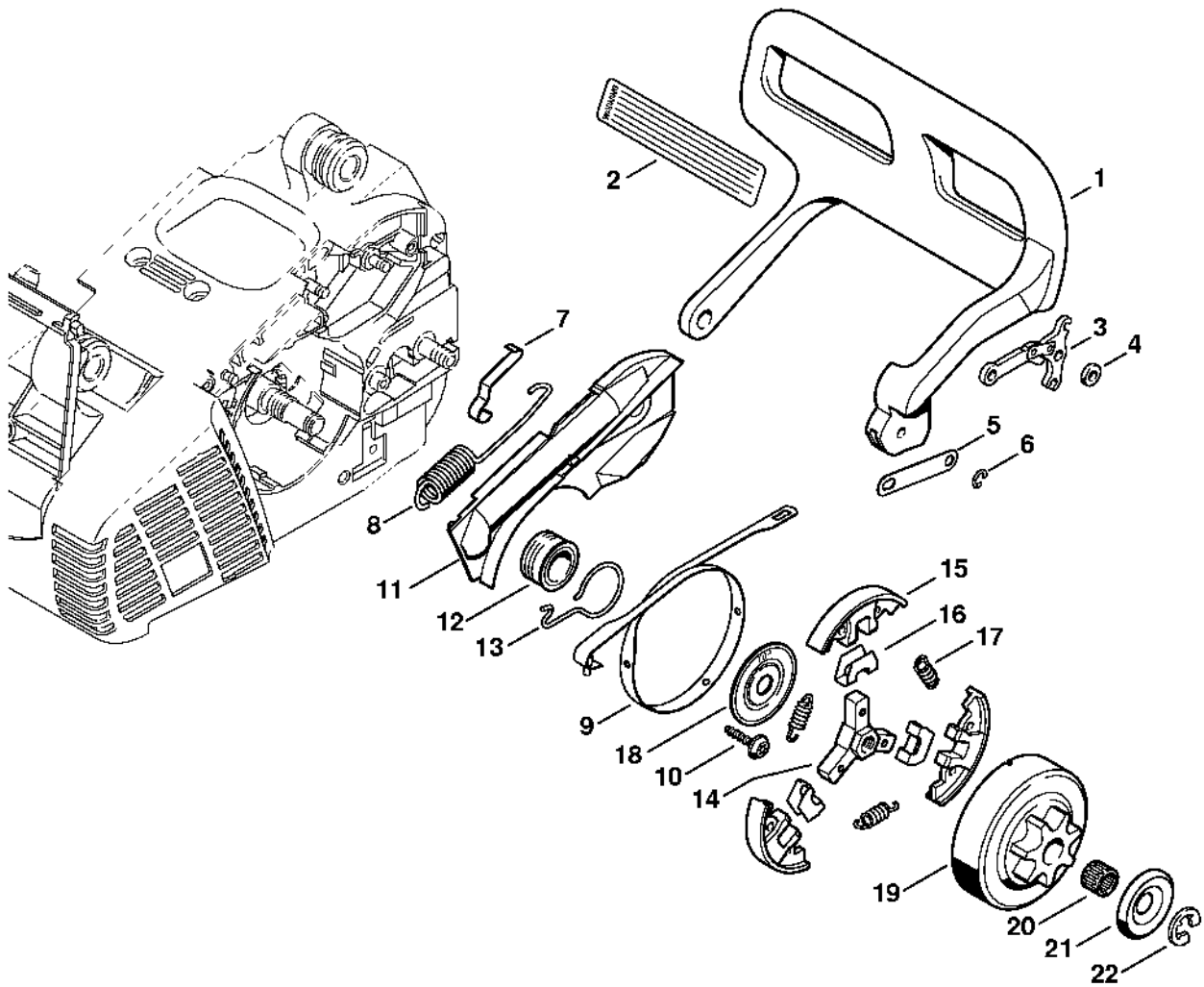
# Motor housing

#	Part Number	Description	Quantity	Contains Item(s)	Remarks
1	1132 020 3050	Engine housing	1	2 - 6	
2	1123 162 5205	Pin	1		
3	1120 162 5200	Pin	1		
4	1123 162 5200	Pin	1		
5	1123 664 2400	Collar screw	1		
6	1123 664 2402	Collar screw	1		
		AV system normal:	1		
7	1123 791 2800	Annular buffer	2		
		AV system hard:	1		
7	1127 791 2800	Annular buffer	2		
8	1132 791 7310	Plug	2		
9	1132 791 7300	Plug	2		
11	1123 640 3200	Oil pump 0.55	1		
12	1132 182 5501	Cover	1		
13	1132 350 0400	Fuel tank	1	14, 15	
14	0747 313 6810	Valve	1		
15	1132 358 7700	Hose	1		
16	0000 350 3502	Pickup body	1		
17	1132 350 4400	Oil tank	1	14	
18	1132 647 9400	Hose	1		
19	1123 640 3800	Pickup body	1		
20	1132 350 0500	Filler cap	1	21 - 23	
21	0000 359 1201	Sealing ring	1		
22	4226 350 0900	Rope	1		
23	0000 353 0605	Hook	1		
24	1130 350 0500	Filler cap	1	23, 25, 26	
25	0000 359 1240	Sealing ring	1		

# Motor housing

#	Part Number	Description	Quantity	Contains Item(s)	Remarks
26	0000 350 0905	Rope	1		

# Hand guard, Chain brake



163ET017 SC

# Hand guard, Chain brake

#	Part Number	Description	Quantity	Contains Item(s)	Remarks
1	1132 792 9100	Hand guard	1		
2	0000 967 3724	Instruction label	1		
3	1128 160 5000	Lever	1		
4	0000 958 0521	Washer	1		
5	1123 162 5800	Strap	1		
6	9460 624 0400	E-clip 4	1		
7	1123 162 7800	Flat spring	1		
8	1123 162 7900	Tension spring	1		
9	1132 160 5400	Brake band	1		
10	9104 003 3005	Self-tapping screw P4x20	1		
11	1132 021 1101	Cover	1		
12	1123 640 7102	Worm gear	1	13	
13	1123 647 2400	Spring	1		
	1123 160 2050	Clutch	1	14 - 18	
14	1121 162 3201	Carrier	1		
15	1129 162 0800	Clutch shoe	3		
16	1127 162 3000	Retainer	3		
17	0000 997 5515	Tension spring	3		
18	1121 162 1001	Cover washer	1		
19	1123 640 2002	Chain sprocket 3/8" Picco 7T	1		
19	1123 640 2003	Chain sprocket 3/8"P 6 teeth	1		
19	1123 640 2007	Chain sprocket 1/4" 8T	1		
20	9512 933 2260	Needle cage 10x13x10	1		
21	0000 958 1022	Washer Ø 27 mm	1		
22	9460 624 0801	E-clip 8x1,3	1		

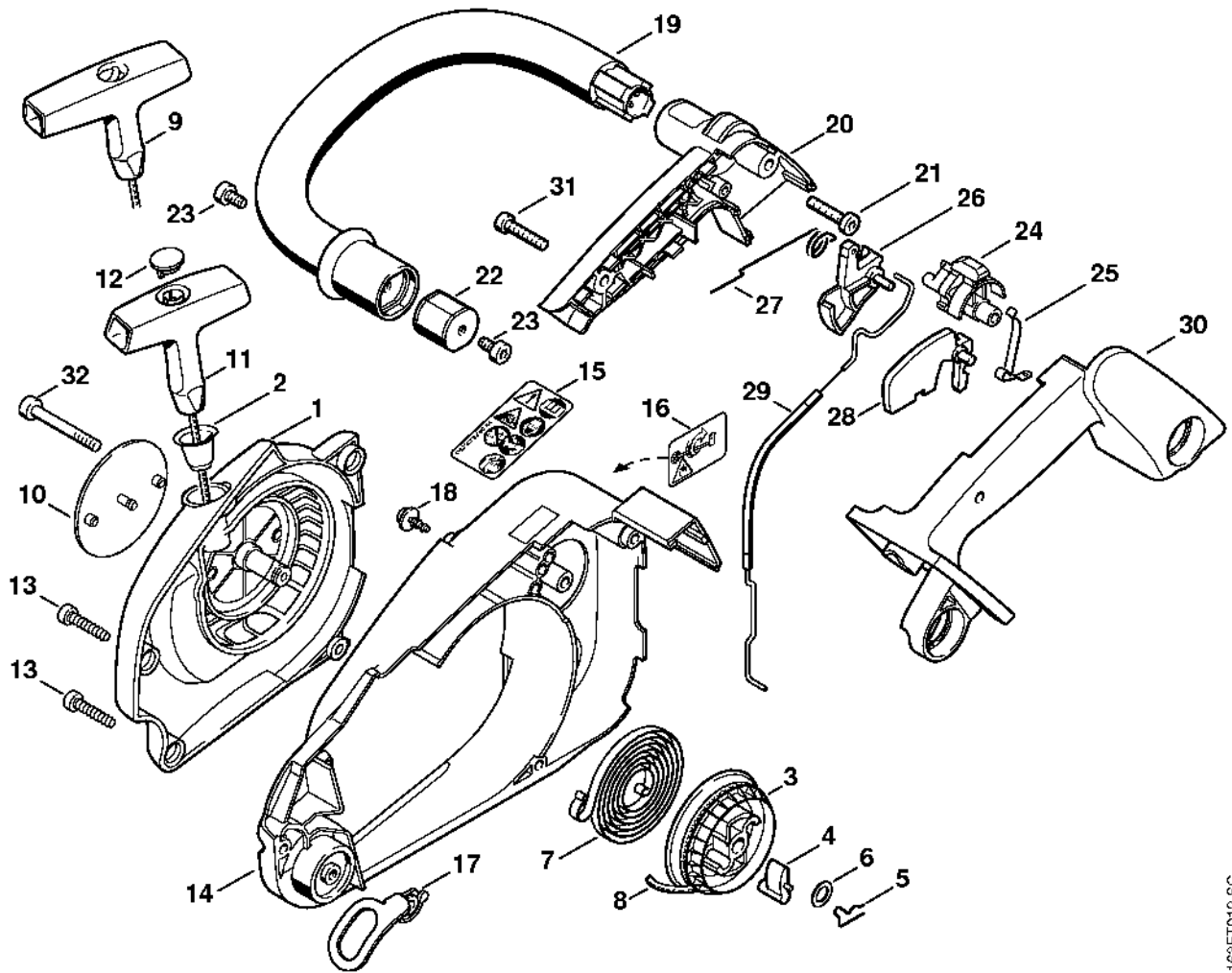




# Chain sprocket cover

#	Part Number	Description	Quantity	Contains Item(s)	Remarks
1	1132 640 1706	Chain sprocket cover	1		
2	0000 955 0801	Hexagon nut M8	1		
3	1120 664 1500	Tensioning nut	1		
4	1123 664 1605	Adjusting screw	1		
5	1123 664 2205	Cover	1		
	1123 007 1000	Chain tensioner kit	1	6 - 11	
	1123 007 1004	Spur gear / chain adjusting screw kit	1	6, 7	
6		Spur gear	1		
7		Adjusting screw	1		
8	1123 640 1900	Tensioner slide	1		
9	1123 664 1400	Thrust pad	1		
10	1123 664 2200	Cover	1		
11	9075 478 3015	Pan head self-tapping screw IS-D4x15	1		
12	1129 664 0500	Bumper spike	1		
13	9075 478 4115	Pan head self-tapping screw IS-D5x16	2		
	1132 007 1000	Quick tensioner parts	1	14 - 20, 23	
14	1132 640 1700	Chain sprocket cover	1	15 - 17	
15	1132 648 3800	Cover plate	1		
16	1123 648 2202	Adjusting wheel	1		
17	9076 478 2996	Pan head self-tapping screw P4x12	1		
18	1121 660 1000	Wing nut	1		
19	1123 660 3001	Tensioning gear	1	20	
20	9041 319 0600	Pan head screw M4x5	1		
22	0812 370 1000	Screwdriver T27x120x70	1		
23	1123 664 0501	Bumper spike	1		

# Fan housing, Handlebar



163ET012 SC

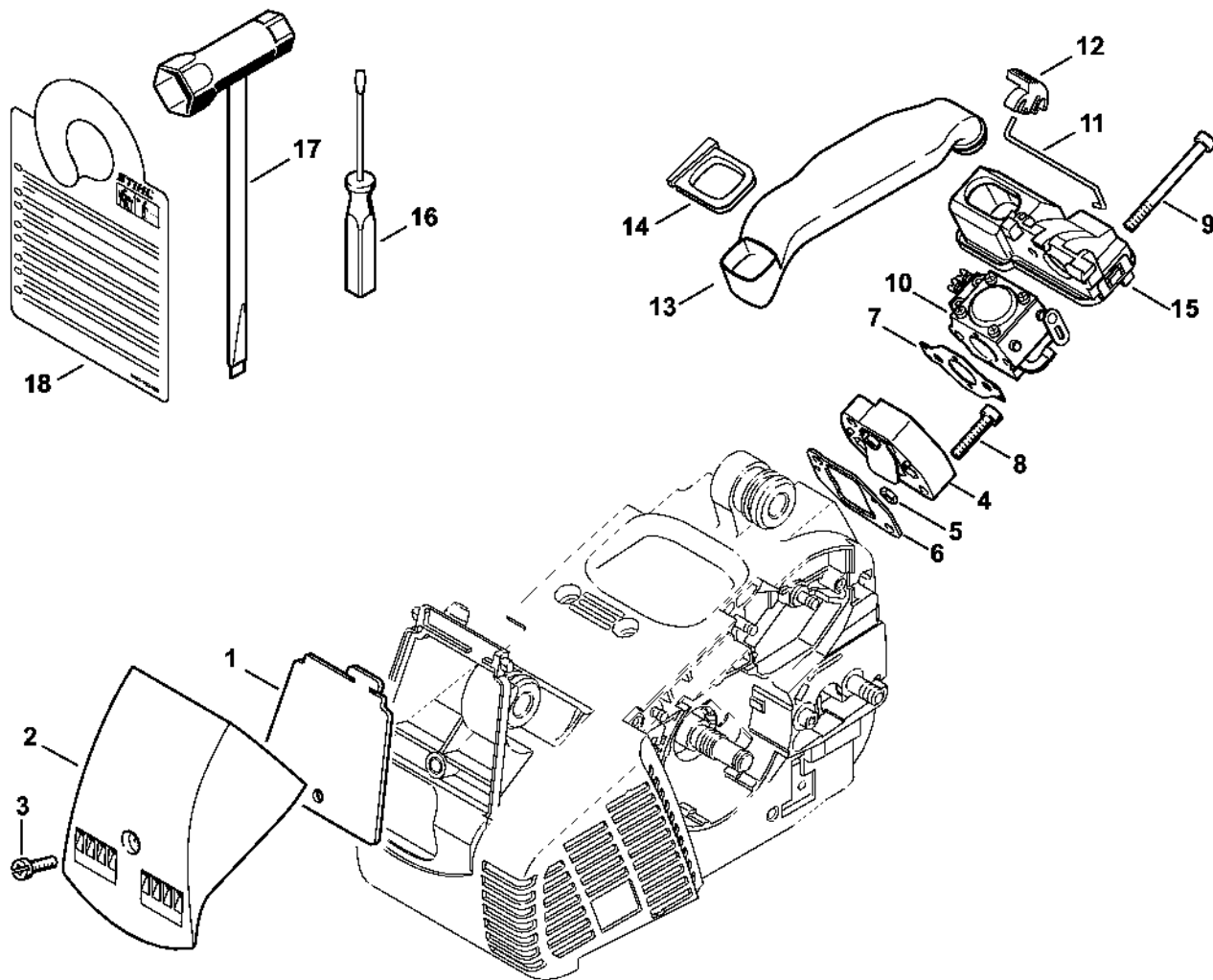
# Fan housing, Handlebar

#	Part Number	Description	Quantity	Contains Item(s)	Remarks
	1132 080 2800	Fan cover with rewind starter	1	1 - 10	
1	1132 080 3100	Fan cover	1	2	
2	1110 084 9102	Bushing	1		
3	1123 195 0400	Rope rotor	1		
4	1125 195 7200	Pawl	1		
5	1118 195 3500	Spring	1		
6	0000 958 0923	Washer	1		
7	1129 190 0601	Rewind spring	1		
8	0000 195 8200	Starter rope Ø 3x800 mm	1		
	0000 930 2208	Starter rope Ø 3 mm x 30.5 m	1		
	0000 930 2211	Starter rope Ø 3 mm x 60.8 m	1		
9	1121 195 3400	Starter grip	1		
10	1132 967 1503	Model plate MS 190 T	1		
11	0000 190 3402	Starter grip ElastoStart Ø 3 mm	1	8, 12	
12	0000 195 7001	Cap	1		
13	9075 478 4155	Pan head self-tapping screw IS-D5x24	5		
14	1132 084 1003	Fan housing	1		
15	0000 967 7257	Instruction label	1		
16	0000 967 3692	Warning pictogram Filler cap	1		CDN
17	1132 350 7000	Loop	1		
18	9104 003 3002	Screw IS P4x12	1		
19	1132 791 1700	Handlebar	1		
20	1132 791 0600	Handle molding	1		
21	9075 478 4155	Pan head self-tapping screw IS-D5x24	1		
22	1120 790 9600	Annular buffer	1		
23	9022 341 0950	Pan head screw IS M5x10	2		
24	1132 182 0900	Switch shaft	1		

# Fan housing, Handlebar

#	Part Number	Description	Quantity	Contains Item(s)	Remarks
25	1129 442 1600	Contact spring	1		
26	1132 180 1500	Throttle trigger	1		
27	1117 182 4500	Torsion spring	1		
28	1129 182 0800	Lockout lever	1		
29	1132 180 1100	Throttle cable	1		
30	1132 791 1000	Handle housing	1		
31	9075 478 4155	Pan head self-tapping screw IS-D5x24	2		
32	9075 478 4260	Pan head self-tapping screw IS-D5x55	1		

# Air filter, Tools

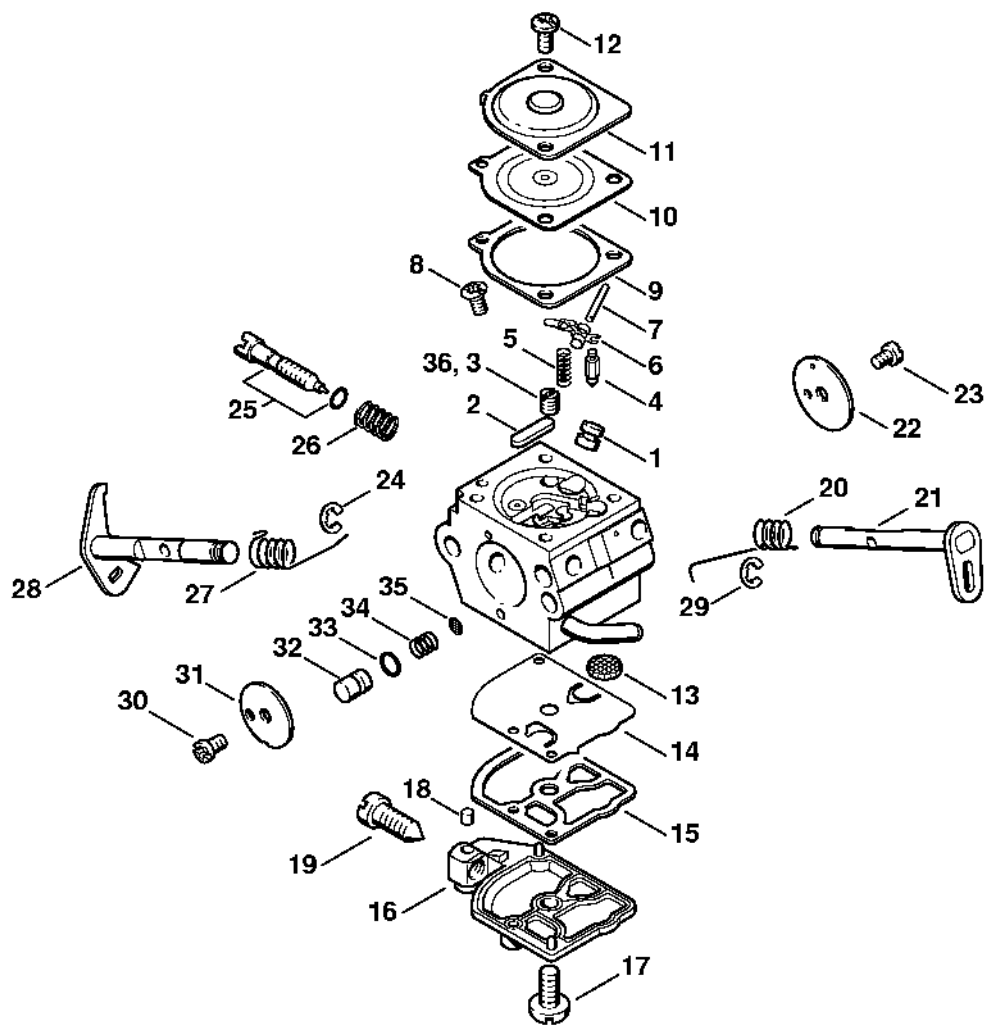


183ET018 SC

# Air filter, Tools

#	Part Number	Description	Quantity	Contains Item(s)	Remarks
1	1132 124 0800	Filter plate	1		
2	1132 141 0501	Filter cover	1		
3	0000 951 1101	Screw IS-M5x18	1		
4	1132 120 4700	Diaphragm	1	5 - 7	
5	9210 260 0700	Hexagon nut M5	2		
6	1132 129 0900	Gasket	1		
7	1132 129 0910	Gasket	1		
8	9075 478 4155	Pan head self-tapping screw IS-D5x24	2		
9	9022 341 1110	Spline screw IS-M5x52	2		
10	1132 120 0603	Carburetor C1Q-S46D	1		
11	1132 180 2500	Choke rod	1	12	
12		Lever	1		
13	1132 122 4101	Intake pipe	1		
14	1132 122 7000	Grommet	1		
15	1132 120 3800	Intake casing	1		
16	0000 890 2300	Screwdriver	1		
17	1129 890 3401	Combination wrench	1		
18	0457 927 0002	Hang tag	1		

# Carburetor C1Q-S46



170ET013 SC



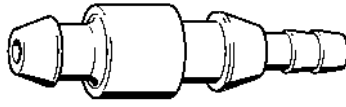
# Carburetor C1Q-S46

#	Part Number	Description	Quantity	Contains Item(s)	Remarks
	1132 120 0603	Carburetor C1Q-S46D	1	1 - 35	
1	1132 121 5400	Valve jet	1		
2	4226 121 0700	Cup plug	1		
3	1132 121 5600	Fixed jet 0.48	1		
4	Z000 018 Z000	Inlet needle	1		
5	1120 122 3004	Spring	1		
6	1125 121 5000	Inlet control lever	1		
7	1120 121 9200	Spindle	1		
8	1120 122 6600	Collar screw	1		
9	1123 129 0901	Metering gasket	1		
10	1123 121 4700	Metering diaphragm	1		
11	1123 121 0801	End cover	1		
12	4132 122 6600	Collar screw	2		
13	1123 121 7800	Strainer	1		
14	1129 121 4800	Pump diaphragm	1		
15	1123 129 0905	Pump gasket	1		
16	1123 121 0800	End cover	1		
17	1120 122 7800	Oval head screw	1		
18	1125 122 4200	Clamp	1		
19	1123 122 6200	Idle speed screw	1		
20	1123 122 3200	Torsion spring	1		
21	1132 120 7201	Choke shaft with lever	1		
22	1132 121 2901	Choke shutter	1		
23	1125 122 7403	Round head screw	1		
24	1125 122 9002	E-clip	1		
25	1132 122 6801	Low speed screw	1		
26	1120 122 3005	Spring	1		

# Carburetor C1Q-S46

#	Part Number	Description	Quantity	Contains Item(s)	Remarks
27	1123 122 3000	Spring	1		
28	1132 120 7101	Throttle shaft with lever	1		
29	1125 122 9001	E-clip	1		
30	1120 122 7400	Round head screw	1		
31	1132 121 3300	Throttle shutter	1		
	1137 120 9700	Pump piston kit	1	32 - 34	
32		Pump piston	1		
33		Sealing ring	1		
34		Spring	1		
35	1132 121 7800	Strainer	1		
36	1132 121 5640	Fixed jet 0.40	1		High altitude
	1123 007 1060	Carburetor parts kit	1	9, 10, 14, 15	

# Nipple

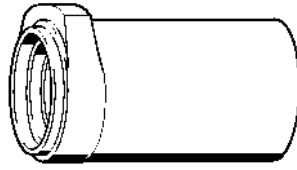


901SW008 GM

# Nipple

#	Part Number	Description	Quantity	Contains Item(s)	Remarks
	0000 855 9200	Nipple	1		

# Press sleeve



9015W068 GM

# Press sleeve

#	Part Number	Description	Quantity	Contains Item(s)	Remarks
	1123 893 2400	Press sleeve	1		

# Sealing plate



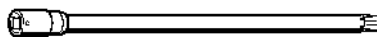
901SW078-GM

# Sealing plate

#	Part Number	Description	Quantity	Contains Item(s)	Remarks
	0000 855 8106	Sealing plate	1		



# Socket, T27x125

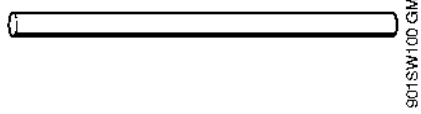


901SW091 GM

# Socket, T27x125

#	Part Number	Description	Quantity	Contains Item(s)	Remarks
	0812 542 2104	Driver bit, 1/4" square drive, T27x125	1		

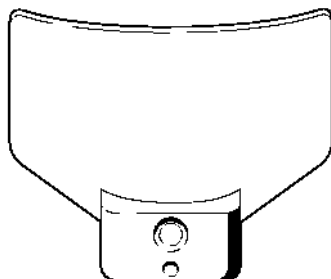
# Hose 135 mm / 5 5/16"



# Hose 135 mm / 5 5/16"

#	Part Number	Description	Quantity	Contains Item(s)	Remarks
	1110 141 8600	Hose 135 mm / 5 5/16"	1		

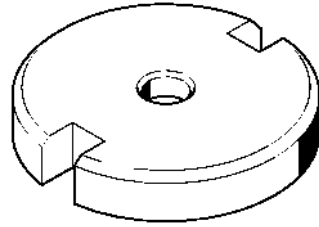
# Setting gauge



901SW107 GM

# Setting gauge

#	Part Number	Description	Quantity	Contains Item(s)	Remarks
	1111 890 6400	Setting gauge	1		



901SW11 GM

# Installing tool

#	Part Number	Description	Quantity	Contains Item(s)	Remarks
	1116 893 4800	Installing tool	1		



# Assembly tube

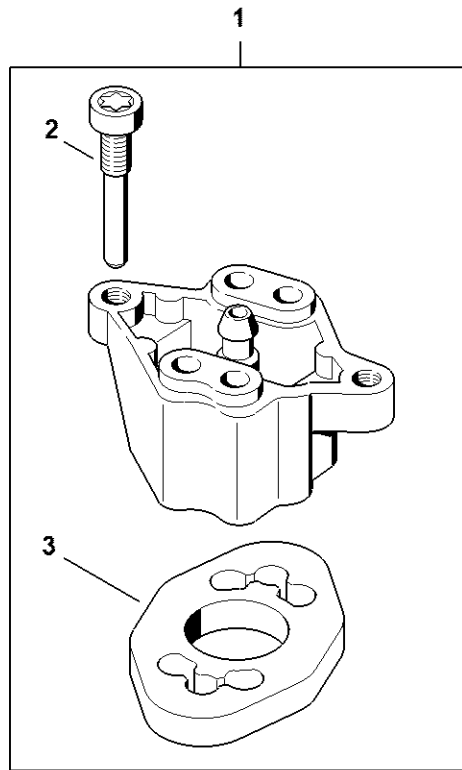


901SW112.GM

# Assembly tube

#	Part Number	Description	Quantity	Contains Item(s)	Remarks
	1117 890 0900	Assembly tube	1		

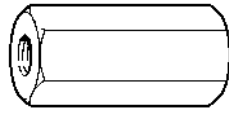
# Flange



5910-GET-0183-A1

# Flange

#	Part Number	Description	Quantity	Contains Item(s)	Remarks
1	5910 850 4207	Flange	1	2, 3	
2	1128 855 9000	Screw M5x30	1		
3	5910 851 9901	Gasket	1		



901SW174 GM

# Puller

#	Part Number	Description	Quantity	Contains Item(s)	Remarks
	4133 893 0800	Puller	1		

# Stud puller, M8



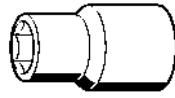
901SW209 GM

# Stud puller, M8

#	Part Number	Description	Quantity	Contains Item(s)	Remarks
	5910 893 0501	Stud puller, M8	1		



# Socket, 13 mm

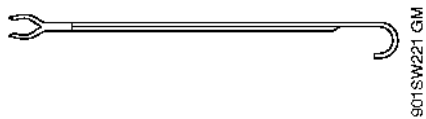


901SW217 GM

# Socket, 13 mm

#	Part Number	Description	Quantity	Contains Item(s)	Remarks
	5910 893 5608	Socket, 13 mm	1		

# Assembly hook



# Assembly hook

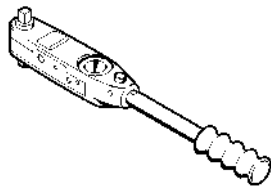
#	Part Number	Description	Quantity	Contains Item(s)	Remarks
	5910 893 8800	Assembly hook	1		

# Locking strip

# Locking strip

#	Part Number	Description	Quantity	Contains Item(s)	Remarks
1	0000 893 5903	Locking strip	1		

# Torque wrench with optical/acoustic signal



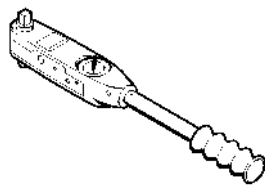
901SW290 KN

# Torque wrench with optical/acoustic signal

#	Part Number	Description	Quantity	Contains Item(s)	Remarks
	5910 890 0312	Torque wrench with optical/acoustic signal	1		



# Torque wrench

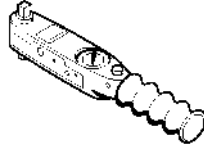


9015W251 KN

# Torque wrench

#	Part Number	Description	Quantity	Contains Item(s)	Remarks
	5910 890 0311	Torque wrench	1		

# Torque wrench with optical/acoustic signal

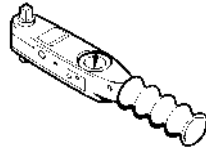


90/15W262 KN

# Torque wrench with optical/acoustic signal

#	Part Number	Description	Quantity	Contains Item(s)	Remarks
		Torque wrench	1		

# Torque wrench

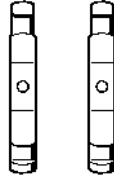


901SW286 KN

# Torque wrench

#	Part Number	Description	Quantity	Contains Item(s)	Remarks
	5910 890 0301	Torque wrench	1		

# Jaw (profile No. 3.1 and 4)



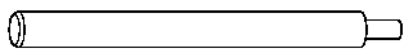
MS 268MAS106

## Jaw (profile No. 3.1 and 4)

#	Part Number	Description	Quantity	Contains Item(s)	Remarks
	0000 893 3706	Jaw (profile No. 3.1 and 4)	1		



# Assembly drift

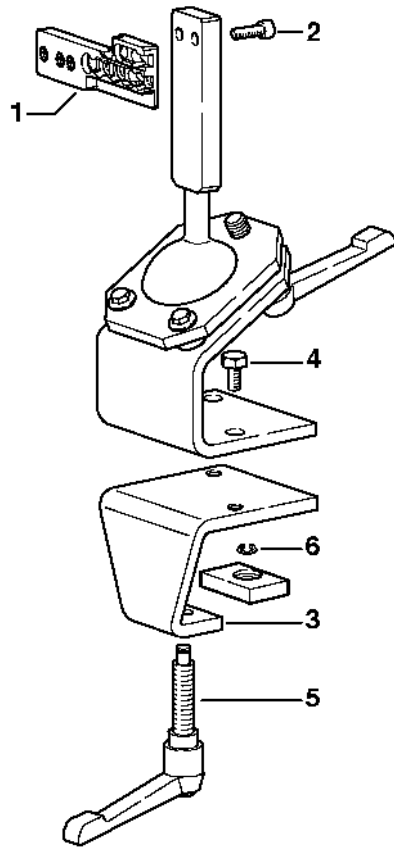


9015W365 CAM

# Assembly drift

#	Part Number	Description	Quantity	Contains Item(s)	Remarks
	1130 893 4700	Assembly drift	1		

# Assembly stand

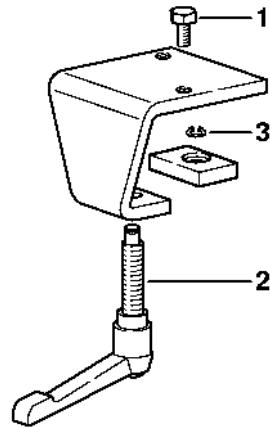


90151633 SC

# Assembly stand

#	Part Number	Description	Quantity	Contains Item(s)	Remarks
	5910 890 3101	Assembly stand	1	1 - 6	
1	5910 850 1651	Support	1		
2	9045 319 2390	Socket head screw M10x25	2		
3	5910 850 2100	Clamping plate	1	4 - 6	
4	9008 319 2930	Hexagon head screw M12x20	2		
5	5910 890 1901	Clamp lever	1		
6	9455 621 0850	Circlip 10x1	1		

# Clamping plate

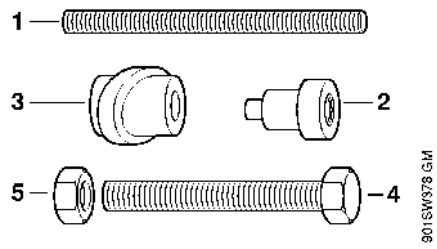


901SM364 SC

# Clamping plate

#	Part Number	Description	Quantity	Contains Item(s)	Remarks
	5910 850 2100	Clamping plate	1	1 - 3	
1	9008 319 2930	Hexagon head screw M12x20	2		
2	5910 890 1901	Clamp lever	1		
3	9455 621 0850	Circlip 10x1	1		

# Installing tool



# Installing tool

#	Part Number	Description	Quantity	Contains Item(s)	Remarks
	1132 890 1700	Installing tool	1	1 - 5	
<b>1</b>	1132 893 8200	Screw rod	1		
<b>2</b>	1132 893 7200	Press arbor	1		
<b>3</b>	1132 893 8700	Thrust piece	1		
<b>4</b>	9008 319 1450	Hexagon head screw M6x60	1		
<b>5</b>	9210 260 0700	Hexagon nut M5	1		



# Screw rod



90 15W679 GM

# Screw rod

#	Part Number	Description	Quantity	Contains Item(s)	Remarks
	1132 893 8200	Screw rod	1		

# Thrust piece



901516/880 GM

# Thrust piece

#	Part Number	Description	Quantity	Contains Item(s)	Remarks
	1132 893 8700	Thrust piece	1		

# Press arbor

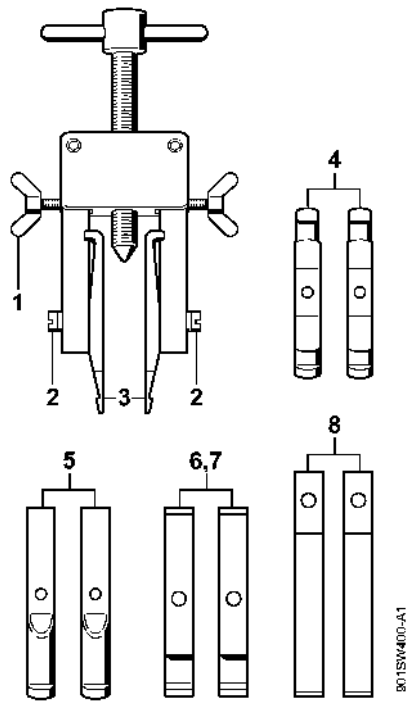


MS 191 T/61 GM

# Press arbor

#	Part Number	Description	Quantity	Contains Item(s)	Remarks
	1132 893 7200	Press arbor	1		

# Puller

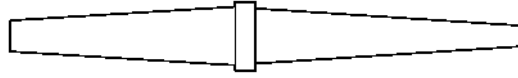


# Puller

#	Part Number	Description	Quantity	Contains Item(s)	Remarks
	5910 890 4400	Puller	1	1 - 8	
1	9157 691 0980	Wing screw M5x16	2		
2	9044 319 0980	Pan head screw M5x16	2		
3	0000 893 3700	Jaw (profile No. 1 and 2)	2		
4	0000 893 3706	Jaw (profile No. 3.1 and 4)	2		
5	0000 893 3711	Jaw (profile No. 6)	2		
6	0000 893 3703	Jaw (profile No. 7)	2		
7	0000 893 3704	Jaw (profile No. 8)	2		
8	0000 893 3707	Jaw (profile No. 9)	2		



# Nipple

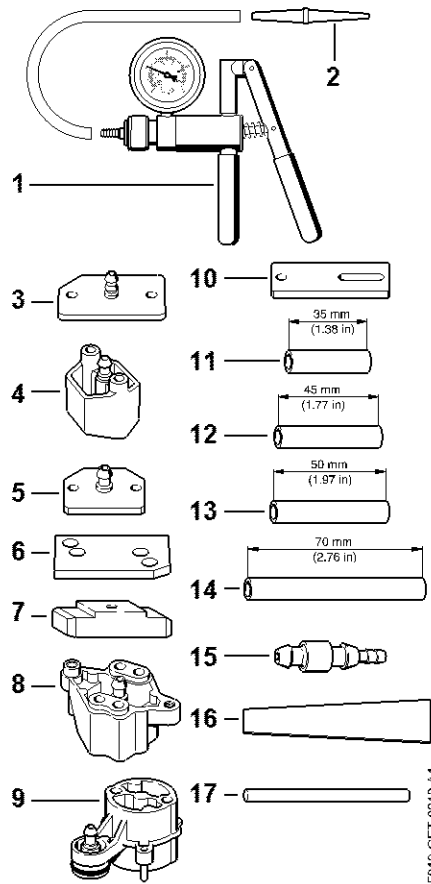


9013W496 GM

# Nipple

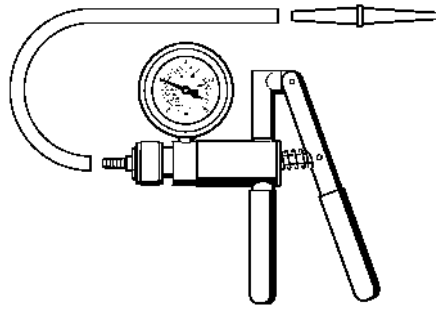
#	Part Number	Description	Quantity	Contains Item(s)	Remarks
	0000 855 9201	Nipple	1		

# Testing tool kit



# Testing tool kit

#	Part Number	Description	Quantity	Contains Item(s)	Remarks
	0000 890 1701	Testing tool kit	1	1 - 17	
1	0000 850 1300	Pump	1	2	
2	0000 855 9201	Nipple	1		
3	1106 850 4201	Flange	1		
4	1118 850 4200	Flange	1		
5	1119 850 4201	Test flange	1		
6	1123 855 4200	Flange	1		
7	1124 850 4205	Flange	1		
8	5910 850 4207	Flange	1		
9	4224 890 1200	Flange	1		
10	5910 855 4206	Flange	1		
11	5910 893 1702	Sleeve	2		
12	1123 851 8300	Sleeve	2		
13	1124 893 7100	Sleeve	2		
14	1127 851 8300	Sleeve	2		
15	0000 855 9200	Nipple	1		
16	0000 855 8106	Sealing plate	1		
17	1110 141 8600	Hose 135 mm / 5 5/16"	1		

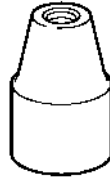


901 SW498 GM

# Pump

#	Part Number	Description	Quantity	Contains Item(s)	Remarks
	0000 850 1300	Pump	1		
	0000 855 9201	Nipple	1		
	0000 855 0100	Hose	1		

# Stud puller, M8-7,5



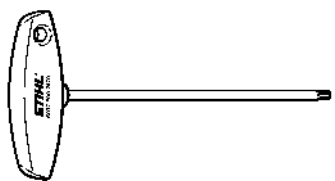
9015W502 GM

# Stud puller, M8-7,5

#	Part Number	Description	Quantity	Contains Item(s)	Remarks
	5910 890 3000	Stud driver M8-7.5	1		



# Screwdriver, T27x150

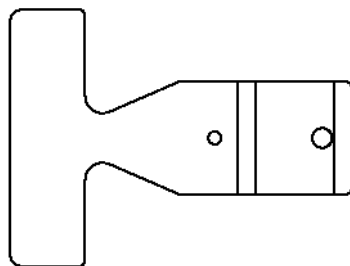


901SW67E K11

# Screwdriver, T27x150

#	Part Number	Description	Quantity	Contains Item(s)	Remarks
	5910 890 2400	Screwdriver, T27x150	1		

# Setting gauge



901SW605-SC

# Setting gauge

#	Part Number	Description	Quantity	Contains Item(s)	Remarks
	0000 890 6401	Setting gauge	1		