

# MS 180 C-B Z

**Spare Parts List**  
**12/14/2023**  
**Australia, English**

## Quick chain tensioner

## Muffler with spark arrestor

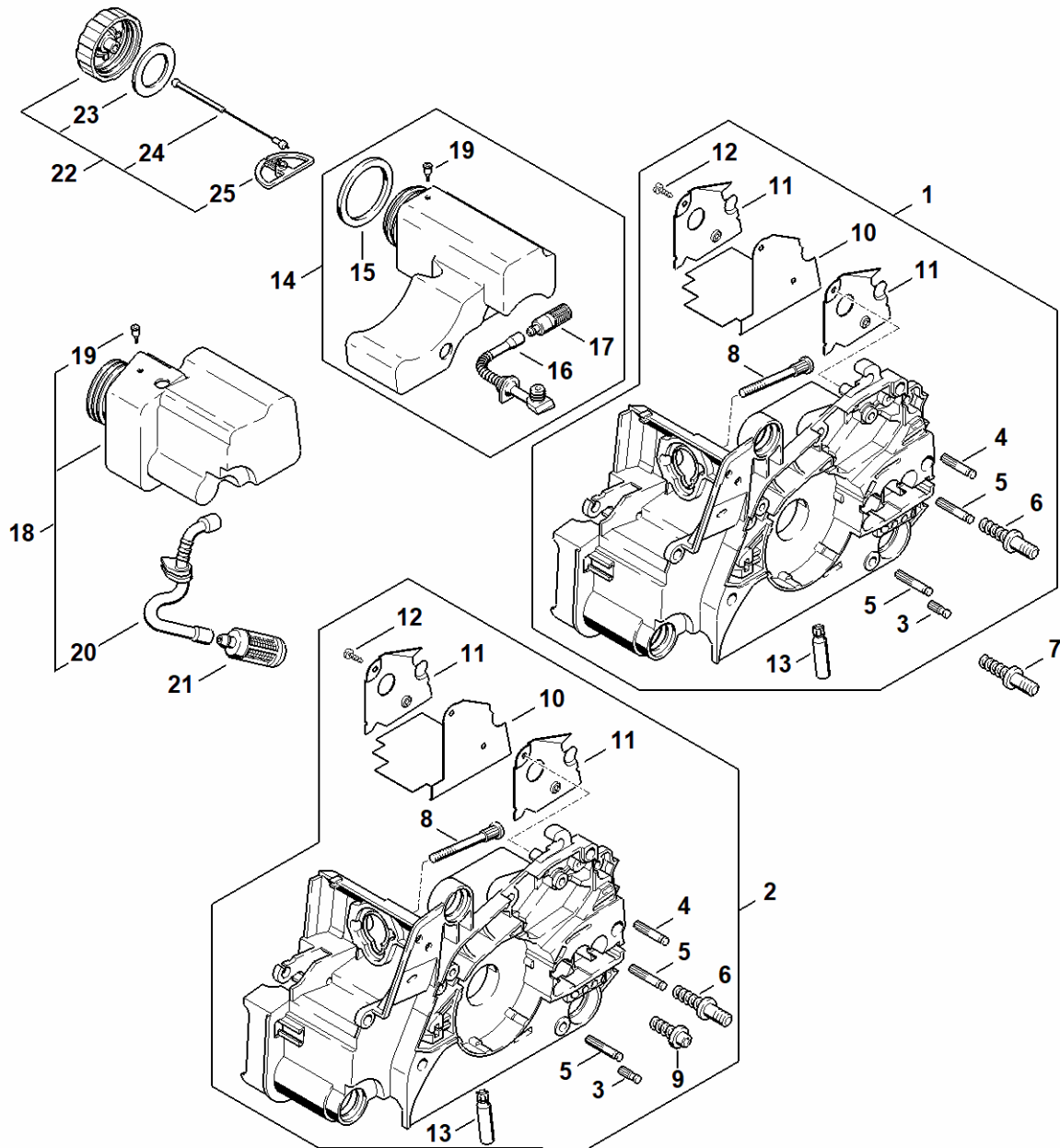
## Contents

|   |    |  |     |
|---|----|--|-----|
| Motor housing .....                         | 3  | Flange .....                                     | 57  |
| Cylinder .....                              | 5  | Puller .....                                     | 59  |
| Muffler .....                               | 7  | Installer .....                                  | 61  |
| Rewind starter .....                        | 9  | Installing tool, 10 .....                        | 63  |
| Ignition system, AV system .....            | 11 | Stud puller, M8 .....                            | 65  |
| Hand guard, Chain brake .....               | 13 | Socket, 13 mm .....                              | 67  |
| Quick chain tensioner .....                 | 15 | Socket, 19 mm .....                              | 69  |
| Air filter, Shroud .....                    | 17 | Assembly hook .....                              | 71  |
| Carburetor C1Q-S57, C1Q-S57, C1Q-S264 ..... | 19 | Sleeve .....                                     | 73  |
| Carburetor C1Q-S152 .....                   | 22 | Sleeve .....                                     | 75  |
| Handle frame, Tools .....                   | 25 | Locking strip .....                              | 77  |
| 2-in-1 laser .....                          | 27 | Torque wrench with optical/acoustic signal ..... | 79  |
| Serial number .....                         | 29 | Torque wrench .....                              | 81  |
| Smart Connector .....                       | 31 | Torque wrench with optical/acoustic signal ..... | 83  |
| Tightening torques .....                    | 33 | Torque wrench .....                              | 85  |
| Tightening torques .....                    | 35 | Jaw (profile No. 3.1 and 4) .....                | 87  |
| Jaw .....                                   | 37 | Assembly drift .....                             | 89  |
| Nipple .....                                | 39 | Flange .....                                     | 91  |
| Press sleeve .....                          | 41 | Screwdriver .....                                | 93  |
| Guide .....                                 | 43 | Assembly stand .....                             | 95  |
| Sealing plate .....                         | 45 | Clamping plate .....                             | 97  |
| Socket, T27x125 .....                       | 47 | Puller .....                                     | 99  |
| Hose 135 mm / 5 5/16" .....                 | 49 | Cover .....                                      | 101 |
| Setting gauge .....                         | 51 | Nipple .....                                     | 103 |
| Installing tool .....                       | 53 | Testing tool kit .....                           | 105 |
| Assembly tube .....                         | 55 | Pump .....                                       | 107 |

# Contents

|                            |     |
|----------------------------|-----|
| Stud puller, M8-7,5 .....  | 109 |
| Screwdriver, T27x150 ..... | 111 |
| Setting gauge .....        | 113 |
| Screwdriver, T8 .....      | 115 |

# Motor housing

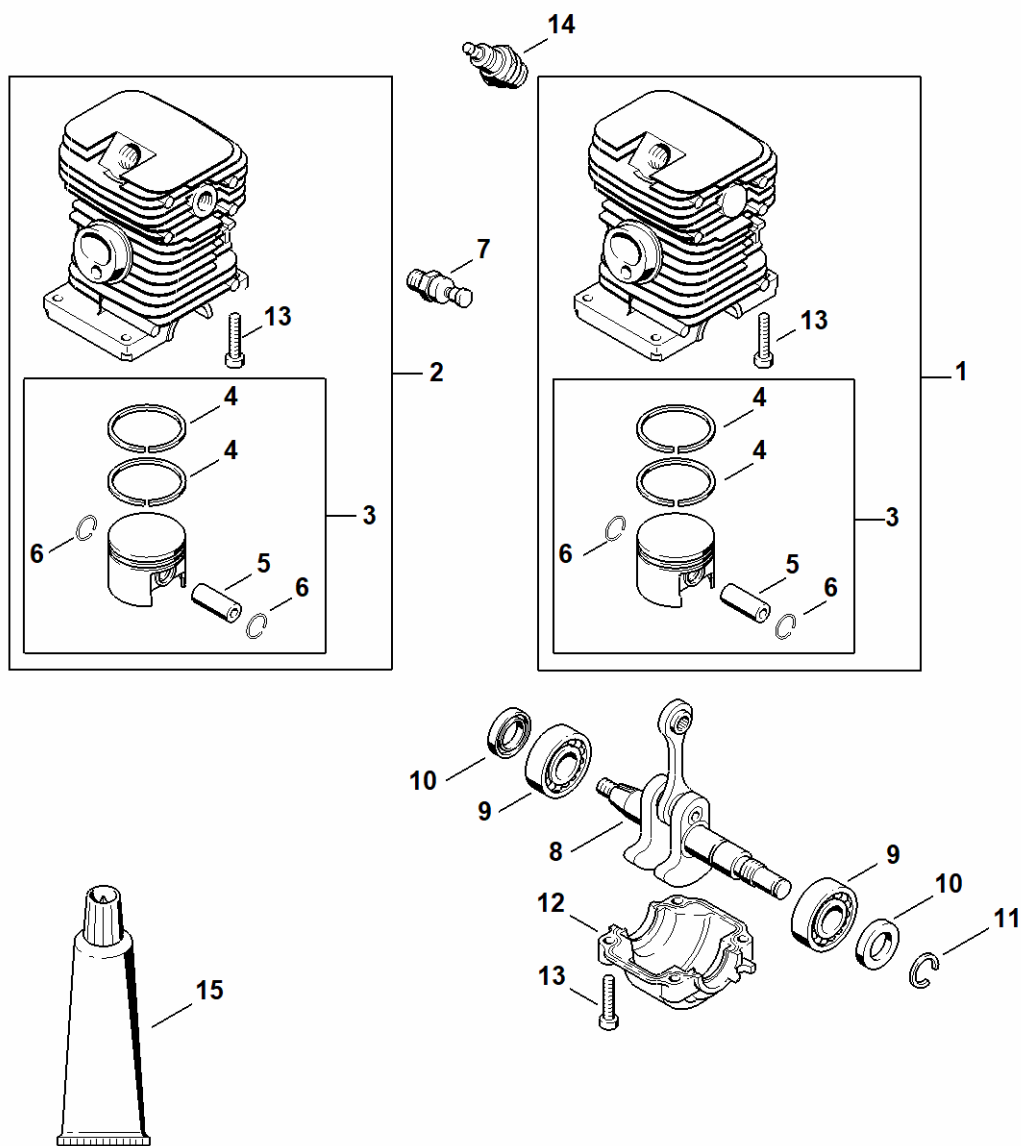


1130-GET-0111  


# Motor housing

| #  | Part Number   | Description        | Quantity | Contains Item(s) | Remarks |
|----|---------------|--------------------|----------|------------------|---------|
| 2  | 1130 020 3034 | Engine housing     | 1        | 3 - 13           |         |
| 3  | 1120 162 5200 | Pin                | 1        |                  |         |
| 4  | 1123 162 5200 | Pin                | 1        |                  |         |
| 5  | 1123 162 5205 | Pin                | 2        |                  |         |
| 6  | 1123 664 2400 | Collar screw       | 1        |                  |         |
| 7  | 1123 664 2405 | Collar screw D9/M8 | 1        |                  |         |
| 8  | 1130 122 6601 | Collar screw       | 2        |                  |         |
| 9  | 1123 664 2402 | Collar screw       | 1        |                  |         |
| 13 | 1123 640 3200 | Oil pump 0.55      | 1        |                  |         |
| 14 | 1130 350 4400 | Oil tank           | 1        | 15 - 17, 19      |         |
| 15 | 0000 359 1241 | Sealing ring       | 1        |                  |         |
| 16 | 1130 647 9400 | Hose               | 1        |                  |         |
| 17 | 1123 640 3800 | Pickup body        | 1        |                  |         |
| 18 | 1130 350 0412 | Fuel tank          | 1        | 19, 20           |         |
| 19 | 0747 313 6810 | Valve              | 2        |                  |         |
| 20 | 1130 358 7701 | Hose               | 1        |                  |         |
| 21 | 0000 350 3500 | Pickup body        | 1        |                  |         |
| 22 | 1130 350 0500 | Filler cap         | 2        | 23 - 25          |         |
| 23 | 0000 359 1240 | Sealing ring       | 2        |                  |         |
| 24 | 0000 350 0905 | Rope               | 2        |                  |         |
| 25 | 0000 353 0605 | Hook               | 2        |                  |         |

# Cylinder

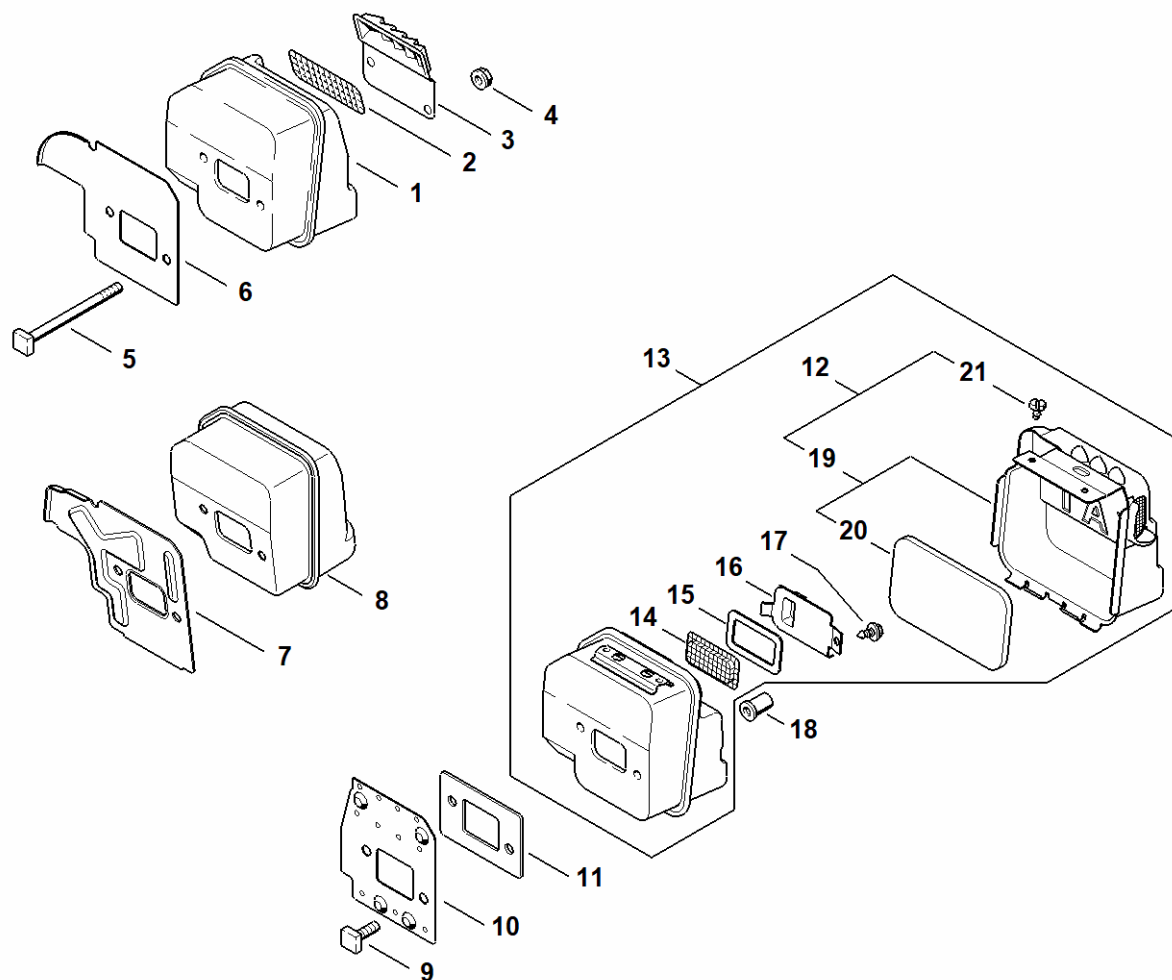


1130-GET-0112  
KG

# Cylinder

| #  | Part Number   | Description                          | Quantity | Contains Item(s) | Remarks |
|----|---------------|--------------------------------------|----------|------------------|---------|
| 1  | 1130 020 1208 | Cylinder with piston Ø 38 mm         | 1        | 3 - 6, 14        |         |
| 3  | 1130 030 2004 | Piston Ø 38 mm                       | 1        | 4 - 6            |         |
| 4  | 1130 034 3002 | Piston ring Ø 38x1.2 mm              | 2        |                  |         |
| 5  | 1132 034 1501 | Piston pin 10x6.5x25                 | 1        |                  |         |
| 6  | 9463 650 1000 | Snap ring 10                         | 2        |                  |         |
| 8  | 1132 030 0402 | Crankshaft                           | 1        |                  |         |
| 9  | 9503 003 0312 | Grooved ball bearing 6002            | 2        |                  |         |
| 10 | 9638 003 1581 | Oil seal 15x25x5                     | 2        |                  |         |
| 10 | 9639 003 1585 | Oil seal 15x25x5                     | 2        |                  |         |
| 11 | 9468 621 1520 | Circlip 15x1                         | 1        |                  |         |
| 12 | 1130 021 2504 | Engine pan                           | 1        |                  |         |
| 13 | 9075 478 4159 | Pan head self-tapping screw IS-D5x24 | 8        |                  |         |
| 14 | 0000 400 7000 | Spark plug NGK BPMR7A                | 1        |                  |         |
| 14 | 0000 400 7016 | Spark plug STIHL                     | 1        |                  |         |
| 14 | 1110 400 7005 | Spark plug Bosch WSR 6 F             | 1        |                  |         |
| 15 | 0783 830 2000 | Sealant, Dirko HT red                | 1        |                  |         |

# Muffler



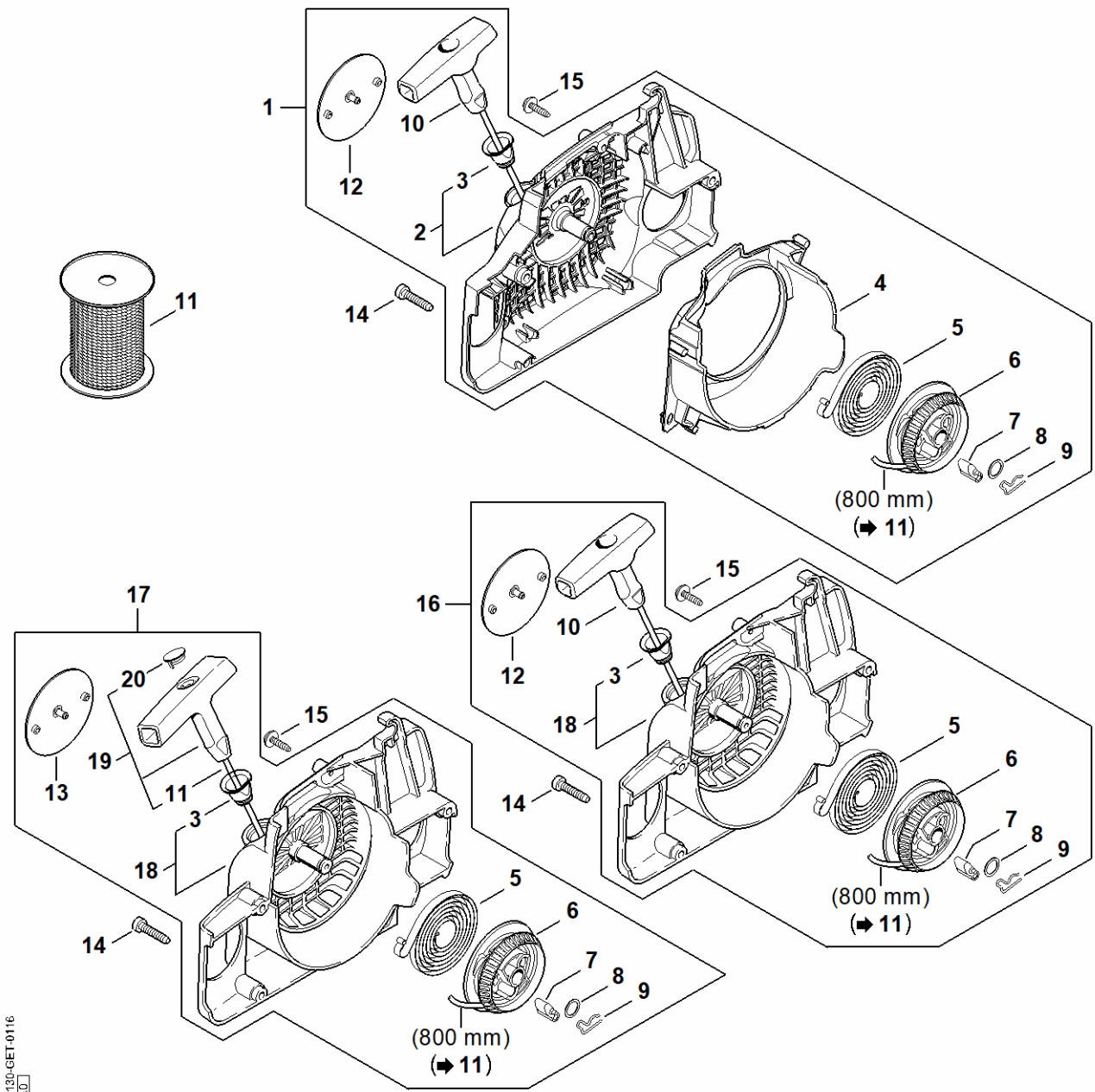
1130-GET-0115  
KQ

# Muffler

| #  | Part Number   | Description                | Quantity | Contains Item(s) | Remarks       |
|----|---------------|----------------------------|----------|------------------|---------------|
| 1  | 1130 140 0600 | Muffler                    | 1        |                  |               |
| 2  | 1130 141 9000 | Screen                     | 1        |                  | USA, AUS, CDN |
| 3  | 1130 145 2900 | Muffler cover              | 1        |                  |               |
| 4  | 9216 261 0700 | Hexagon nut M5             | 2        |                  |               |
| 5  | 1123 148 1201 | Screw M5x65                | 2        |                  |               |
| 6  | 1130 141 3200 | Cooling plate              | 1        |                  |               |
| 13 | 1130 140 0604 | Muffler                    | 1        | 14 - 17, 19 - 21 | USA, AUS, CDN |
| 14 | 1130 141 9001 | Screen                     | 1        |                  | USA, AUS, CDN |
| 15 | 1130 149 0600 | Muffler gasket             | 1        |                  |               |
| 16 | 1130 146 7400 | Deflecting plate           | 1        |                  |               |
| 17 | 9099 021 0805 | Self-tapping screw 4.2x6.5 | 1        |                  |               |



# Rewind starter

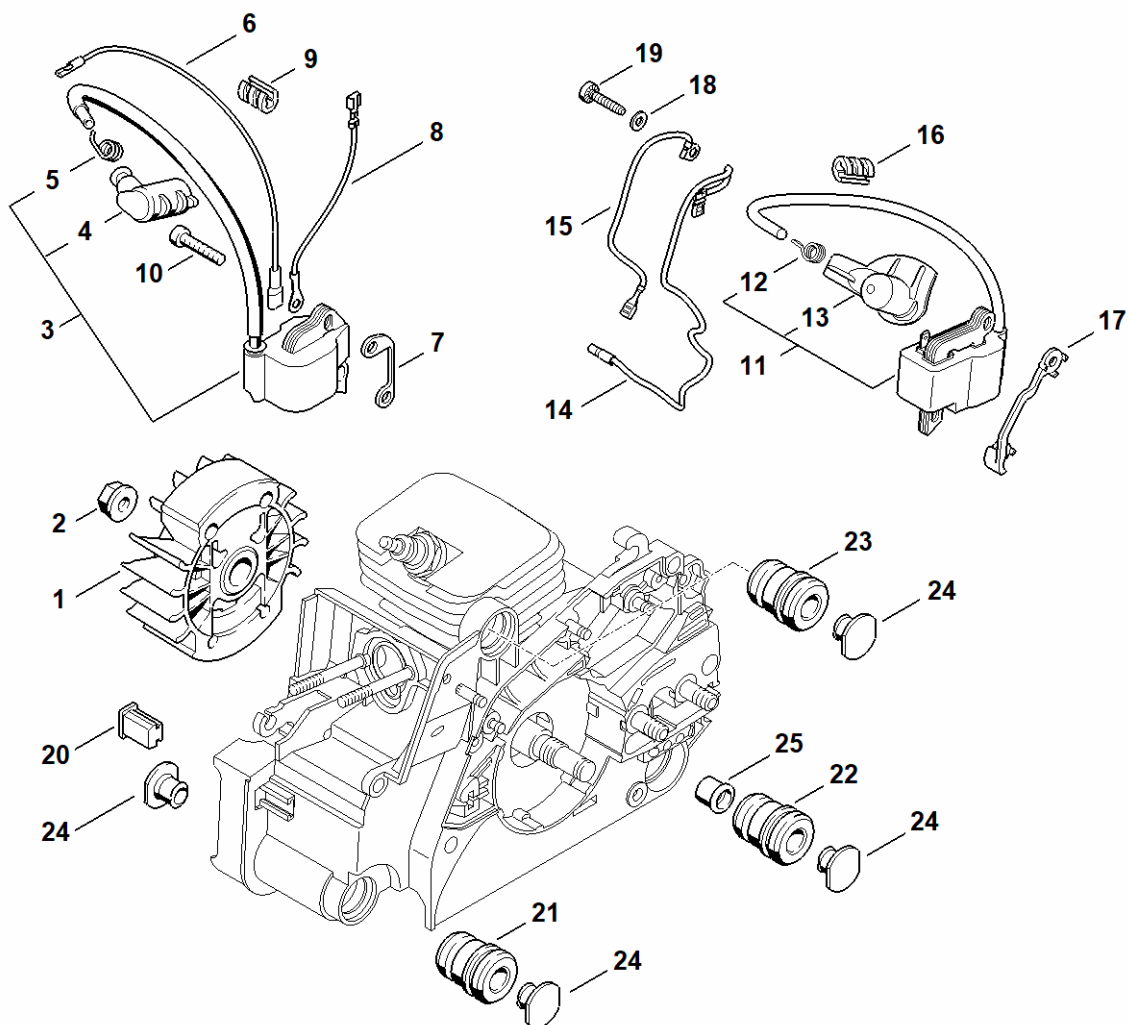


1130-GET-016  


# Rewind starter

| #  | Part Number   | Description                          | Quantity | Contains Item(s)           | Remarks |
|----|---------------|--------------------------------------|----------|----------------------------|---------|
| 3  | 1110 084 9102 | Bushing                              | 1        |                            |         |
| 5  | 1129 190 0601 | Rewind spring                        | 1        |                            |         |
| 6  | 1123 195 0400 | Rope rotor                           | 1        |                            |         |
| 7  | 1125 195 7200 | Pawl                                 | 1        |                            |         |
| 8  | 0000 958 0923 | Washer                               | 1        |                            |         |
| 9  | 1118 195 3500 | Spring                               | 1        |                            |         |
| 10 | 1121 195 3400 | Starter grip                         | 1        |                            |         |
| 11 | 0000 195 8200 | Starter rope Ø 3x800 mm              | 1        |                            |         |
| 13 | 1130 967 1506 | Model plate MS 180 C                 | 1        |                            |         |
| 14 | 9075 478 4155 | Pan head self-tapping screw IS-D5x24 | 3        |                            |         |
| 15 | 9104 003 8733 | Self-tapping screw P4x16             | 1        |                            |         |
| 17 | 1130 080 2105 | Fan housing with rewind starter      | 1        | 3, 5 - 9, 11 - 13, 18 - 20 |         |
| 18 | 1130 080 1800 | Fan housing                          | 1        | 3, 12                      |         |
| 19 | 0000 190 3402 | Starter grip ElastoStart Ø 3 mm      | 1        | 11, 20                     |         |
| 20 | 0000 195 7001 | Cap                                  | 1        |                            |         |

# Ignition system, AV system

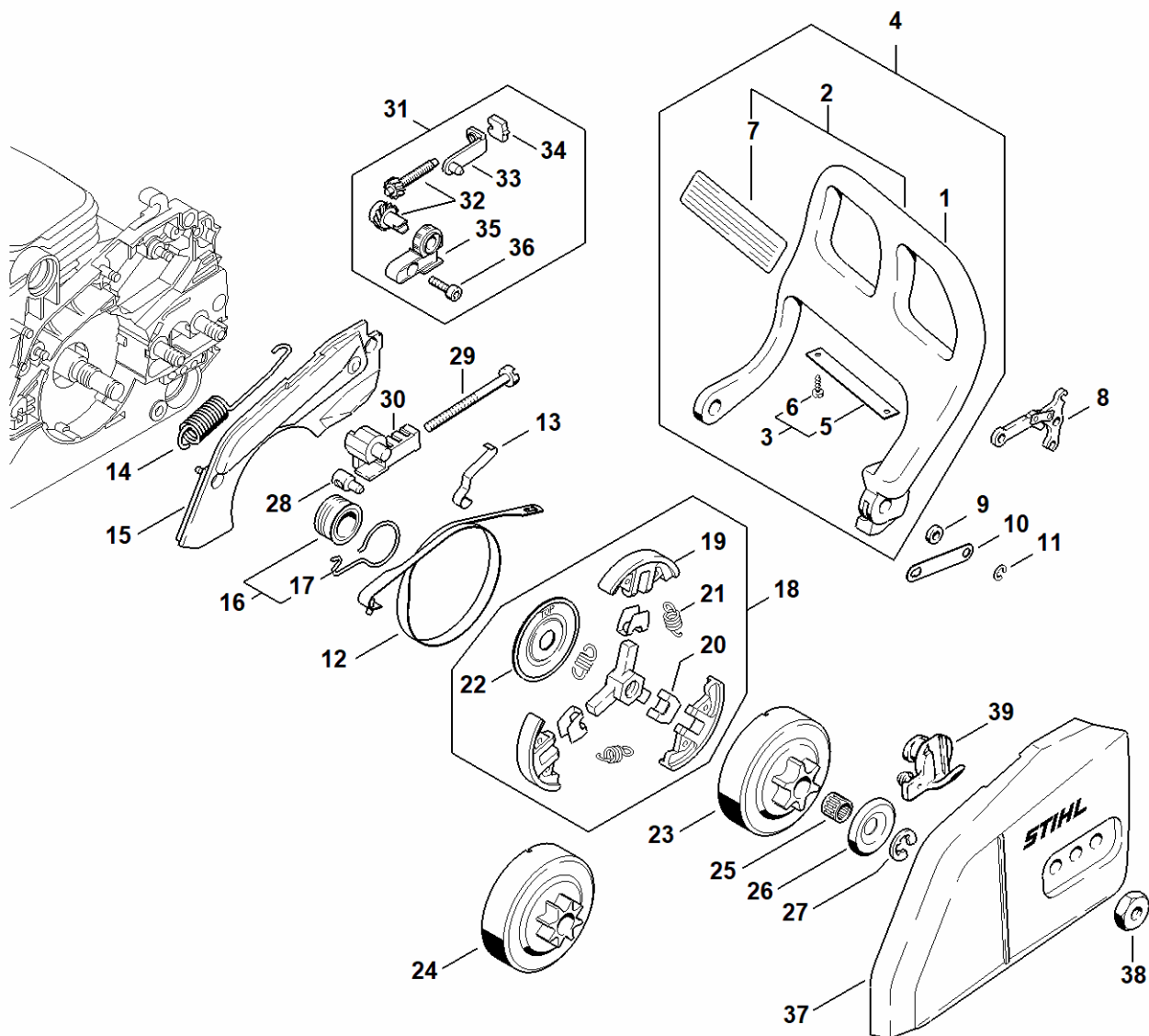


1130-GET-0117

# Ignition system, AV system

| #  | Part Number   | Description                          | Quantity | Contains Item(s) | Remarks       |
|----|---------------|--------------------------------------|----------|------------------|---------------|
| 1  | 1130 400 1201 | Flywheel                             | 1        |                  |               |
| 2  | 0000 955 0802 | Collar nut M8x1                      | 1        |                  |               |
| 3  | 1130 400 1302 | Ignition module                      | 1        | 4, 5             |               |
| 4  | 1128 405 1000 | Spark plug boot                      | 1        |                  |               |
| 5  | 0000 998 0604 | Spark plug contact spring            | 1        |                  |               |
| 6  | 1130 440 1101 | Short circuit wire                   | 1        |                  |               |
| 7  | 1130 405 8000 | Insulator                            | 1        |                  |               |
| 8  | 1130 440 2201 | Ground wire 125 mm / 4 15/16"        | 1        |                  |               |
| 9  | 1130 448 1201 | Lead retainer                        | 1        |                  |               |
| 10 | 9075 478 4155 | Pan head self-tapping screw IS-D5x24 | 2        |                  |               |
| 20 | 1130 791 5900 | Stop buffer                          | 1        |                  |               |
|    |               | AV system normal:                    | 1        |                  |               |
|    |               | AV system hard:                      | 1        |                  |               |
| 21 | 1130 791 2801 | Annular buffer                       | 1        |                  | USA, AUS, CDN |
| 22 | 1130 791 2801 | Annular buffer                       | 1        |                  | USA, AUS, CDN |
| 23 | 1130 791 2801 | Annular buffer                       | 1        |                  | USA, AUS, CDN |
|    |               | AV system ErgoStart/Easy2Start:      | 1        |                  |               |
| 24 | 1123 791 7300 | Plug                                 | 5        |                  |               |
| 25 | 1123 791 7305 | Plug                                 | 1        |                  |               |

# Hand guard, Chain brake

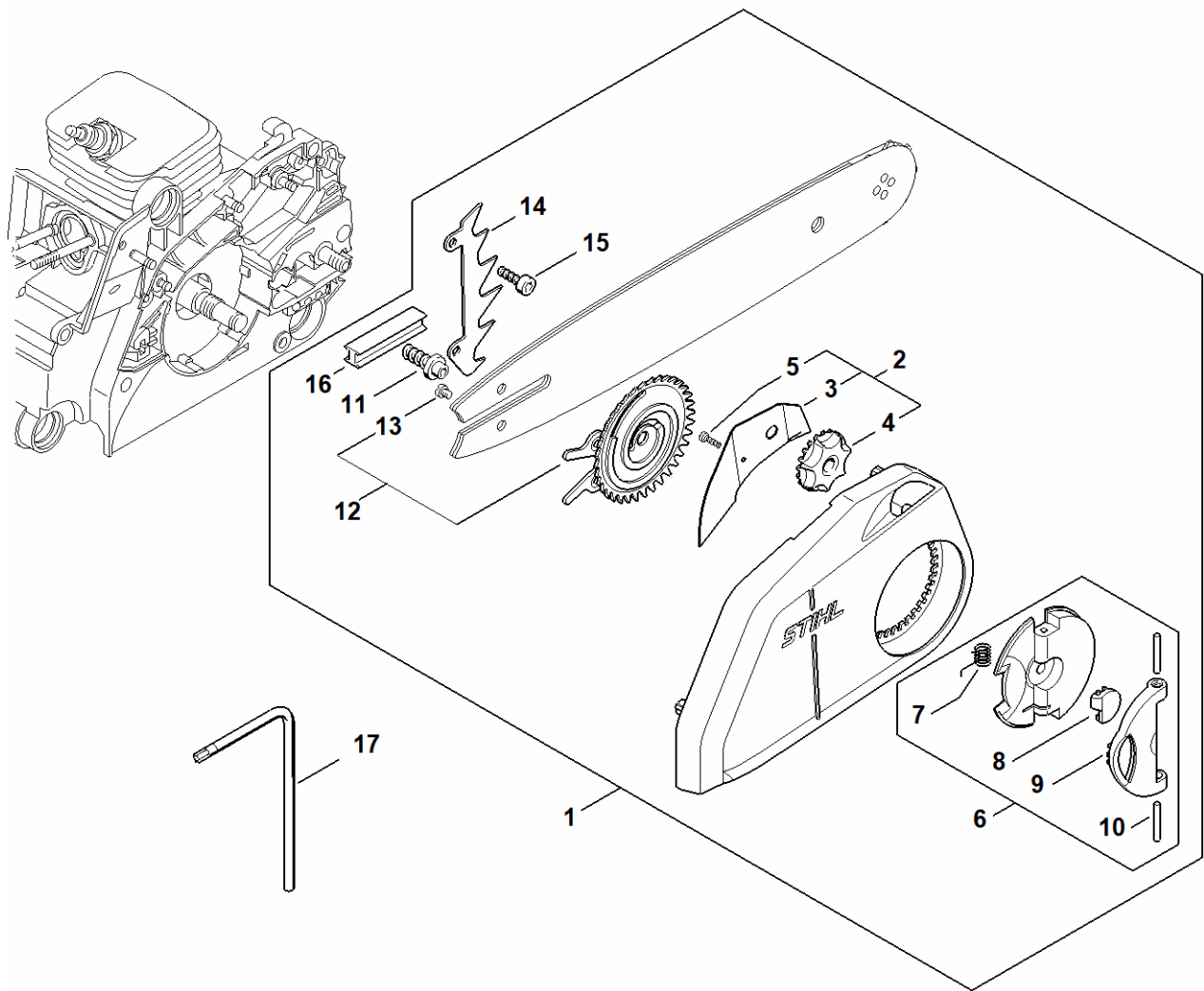


1130-GET-0118  
KG

# Hand guard, Chain brake

| #  | Part Number   | Description                   | Quantity | Contains Item(s) | Remarks  |
|----|---------------|-------------------------------|----------|------------------|----------|
| 2  | 1130 790 9101 | Hand guard                    | 1        | 7                | USA, CDN |
| 4  | 1130 790 9102 | Hand guard                    | 1        | 1, 5 - 7         | USA      |
| 7  | 0000 967 3912 | Instruction label             | 1        |                  | USA      |
| 8  | 1128 160 5000 | Lever                         | 1        |                  |          |
| 9  | 0000 958 0521 | Washer                        | 1        |                  |          |
| 10 | 1123 162 5800 | Strap                         | 1        |                  |          |
| 11 | 9460 624 0400 | E-clip 4                      | 1        |                  |          |
| 12 | 1123 160 5400 | Brake band                    | 1        |                  |          |
| 13 | 1123 162 7800 | Flat spring                   | 1        |                  |          |
| 14 | 1123 162 7900 | Tension spring                | 1        |                  |          |
| 15 | 1130 021 1100 | Cover                         | 1        |                  |          |
| 16 | 1123 640 7102 | Worm gear                     | 1        | 17               |          |
| 17 | 1123 647 2400 | Spring                        | 1        |                  |          |
| 18 | 1123 160 2050 | Clutch                        | 1        | 19 - 22          |          |
| 19 | 1129 162 0800 | Clutch shoe                   | 3        |                  |          |
| 20 | 1127 162 3000 | Retainer                      | 3        |                  |          |
| 21 | 0000 997 5515 | Tension spring                | 3        |                  |          |
| 22 | 1121 162 1001 | Cover washer                  | 1        |                  |          |
| 23 | 1123 640 2003 | Chain sprocket 3/8" P 6 teeth | 1        |                  |          |
| 24 | 1123 640 2007 | Chain sprocket 1/4" 8T        | 1        |                  |          |
| 25 | 9512 933 2260 | Needle cage 10x13x10          | 1        |                  |          |
| 26 | 0000 958 1022 | Washer Ø 27 mm                | 1        |                  |          |
| 27 | 9460 624 0801 | E-clip 8x1,3                  | 1        |                  |          |
| 39 | 1123 656 7700 | Chain catcher                 | 1        |                  |          |

# Quick chain tensioner



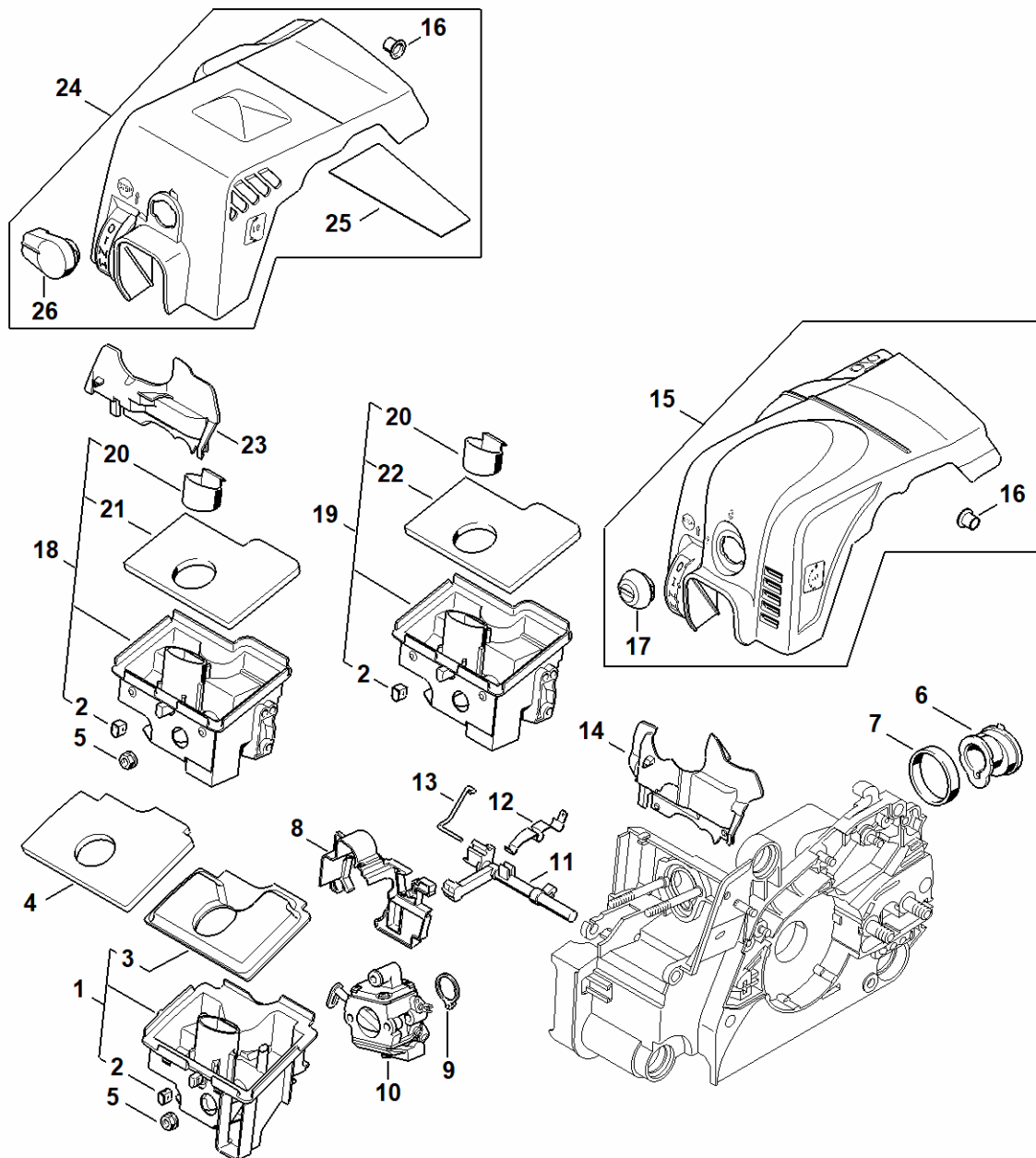
1130-GET-0059  
K1

# Quick chain tensioner

| #  | Part Number   | Description                          | Quantity | Contains Item(s) | Remarks |
|----|---------------|--------------------------------------|----------|------------------|---------|
| 1  | 1123 007 1008 | Quick tensioner parts                | 1        | 2 - 16           |         |
| 2  | 1123 640 1700 | Chain sprocket cover                 | 1        | 3 - 5            |         |
| 3  | 1123 648 3800 | Cover plate                          | 1        |                  |         |
| 4  | 1123 648 2202 | Adjusting wheel                      | 1        |                  |         |
| 5  | 9104 003 8600 | Self-tapping screw P3x10             | 1        |                  |         |
| 6  | 1121 660 1000 | Wing nut                             | 1        | 7 - 10           |         |
| 7  |               | Torsion spring                       | 1        |                  |         |
| 8  |               | Cap                                  | 1        |                  |         |
| 9  |               | Handle                               | 1        |                  |         |
| 10 |               | Cylindrical pin 3m6x26               | 2        |                  |         |
| 11 | 1123 664 2402 | Collar screw                         | 1        |                  |         |
| 12 | 1123 660 3001 | Tensioning gear                      | 1        | 13               |         |
| 13 | 9041 319 0600 | Pan head screw M4x5                  | 1        |                  |         |
| 14 | 1123 664 0501 | Bumper spike                         | 1        |                  |         |
| 15 | 9075 478 4115 | Pan head self-tapping screw IS-D5x16 | 2        |                  |         |
| 16 | 1123 021 2800 | Insert                               | 1        |                  |         |
| 17 | 0812 370 1000 | Screwdriver T27x120x70               | 1        |                  |         |



# Air filter, Shroud

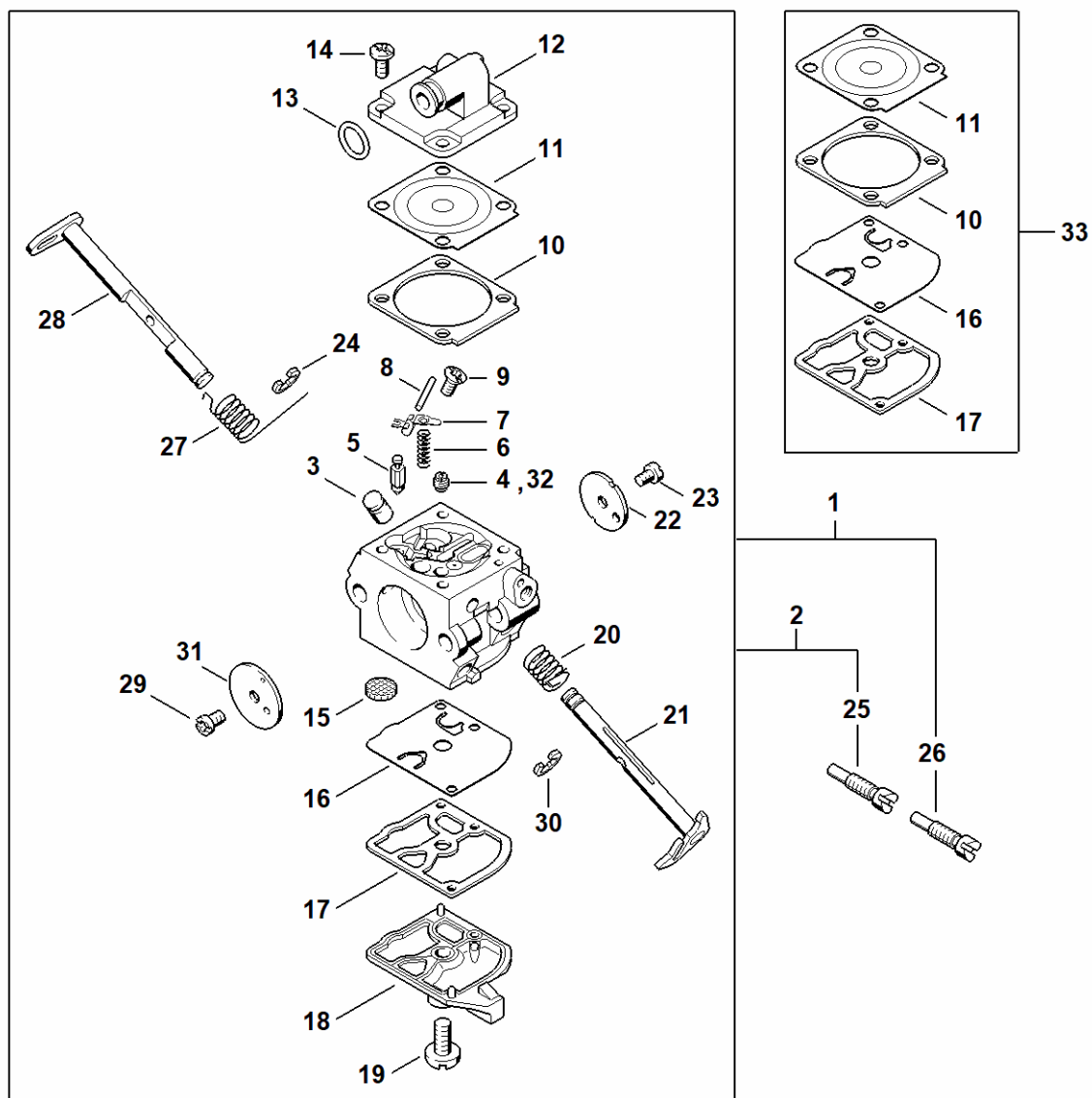


1130-GET-0120  


# Air filter, Shroud

| #  | Part Number   | Description          | Quantity | Contains Item(s) | Remarks |
|----|---------------|----------------------|----------|------------------|---------|
| 2  | 1130 124 7100 | Sleeve               | 1        |                  |         |
| 5  | 9216 261 0700 | Hexagon nut M5       | 2        |                  |         |
| 6  | 1130 141 2200 | Manifold             | 1        |                  |         |
| 7  | 1130 022 2000 | Ring                 | 1        |                  |         |
| 9  | 1130 141 1800 | Sleeve               | 1        |                  |         |
| 10 | 1130 120 0608 | Carburetor CIQ-S152E | 1        |                  |         |
| 11 | 1130 182 0900 | Switch shaft         | 1        |                  |         |
| 12 | 1130 442 1602 | Contact spring       | 1        |                  |         |
| 13 | 1130 185 2000 | Choke rod            | 1        |                  |         |
| 16 | 1130 141 1801 | Sleeve               | 1        |                  |         |
| 20 | 1130 141 1101 | Insert               | 1        |                  |         |
| 21 | 1130 124 0800 | Filter plate         | 1        |                  |         |
| 23 | 1130 124 3200 | Baffle plate         | 1        |                  |         |
| 24 | 1130 140 4709 | Shroud               | 1        | 16, 25, 26       |         |
| 25 | 1130 084 8300 | Reflector foil       | 1        |                  |         |
| 26 | 1130 141 2300 | Twist lock           | 1        |                  |         |

# Carburetor C1Q-S57, C1Q-S57, C1Q-S264



1130-GET-0103  

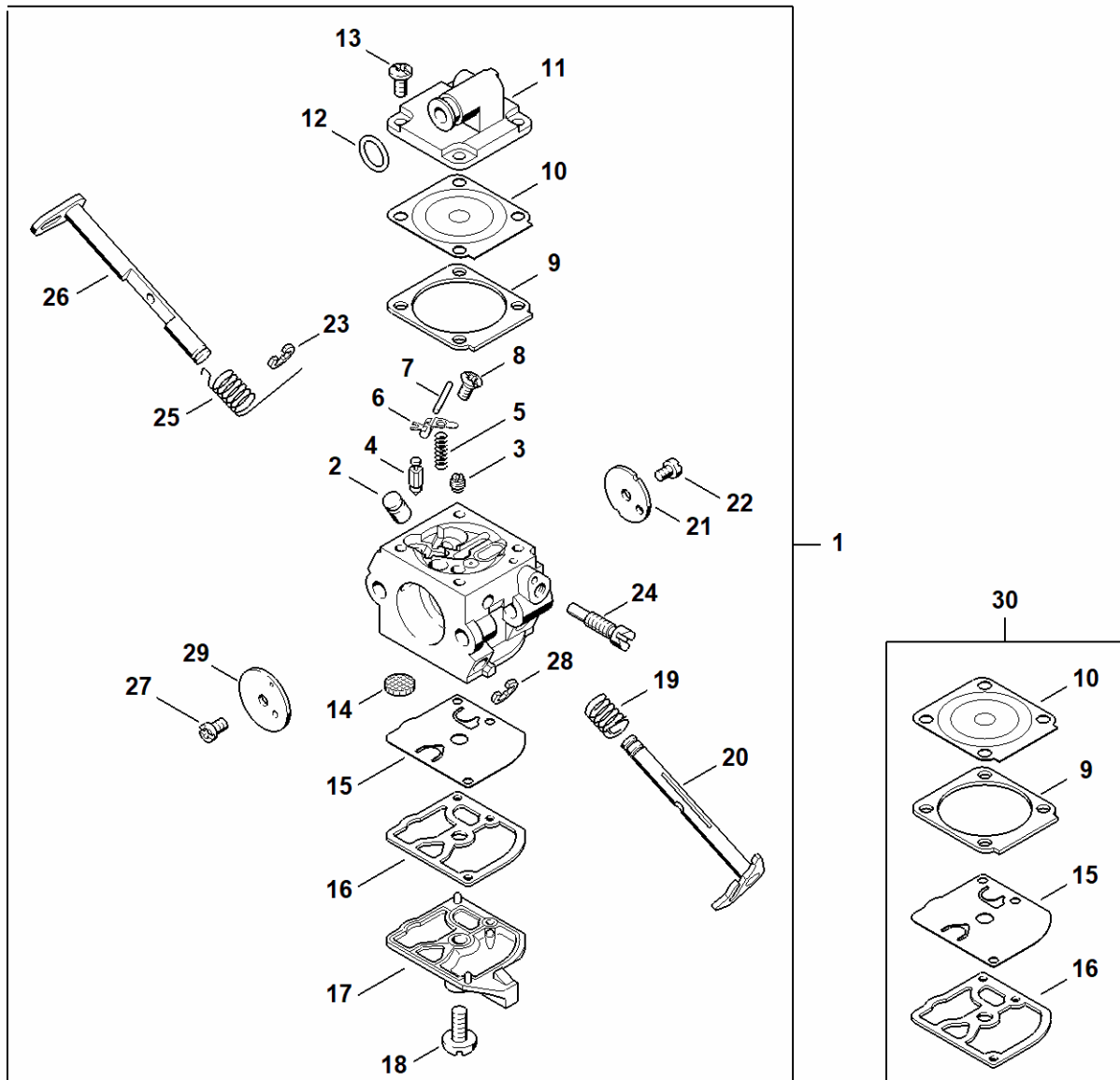

# Carburetor C1Q-S57, C1Q-S57, C1Q-S264

| #  | Part Number   | Description               | Quantity | Contains Item(s) | Remarks |
|----|---------------|---------------------------|----------|------------------|---------|
| 1  |               | Carburetor C1Q-S57A       | 1        | 3 - 24, 26 - 31  |         |
| 3  | 1130 121 5401 | Valve jet                 | 1        |                  |         |
| 4  | 1130 121 5604 | Fixed jet 0.45            | 1        |                  |         |
| 5  | Z000 018 Z000 | Inlet needle              | 1        |                  |         |
| 6  | 1130 122 3001 | Spring                    | 1        |                  |         |
| 7  | 1125 121 5000 | Inlet control lever       | 1        |                  |         |
| 8  | 1120 121 9200 | Spindle                   | 1        |                  |         |
| 9  | 1120 122 6600 | Collar screw              | 1        |                  |         |
| 10 | 1130 129 0901 | Metering gasket           | 1        |                  |         |
| 11 | 1130 121 4700 | Metering diaphragm        | 1        |                  |         |
| 12 | 1130 121 0800 | End cover                 | 1        |                  |         |
| 13 | 9646 945 0490 | O-ring 7x1.5              | 1        |                  |         |
| 14 | 1120 122 6601 | Collar screw              | 4        |                  |         |
| 15 | 1123 121 7800 | Strainer                  | 1        |                  |         |
| 16 | 1130 121 4800 | Pump diaphragm            | 1        |                  |         |
| 17 | 1130 129 0900 | Pump gasket               | 1        |                  |         |
| 18 | 1130 121 0801 | End cover                 | 1        |                  |         |
| 19 | 1120 122 7800 | Oval head screw           | 1        |                  |         |
| 20 | 1123 122 3000 | Spring                    | 1        |                  |         |
| 21 | 1130 120 7101 | Throttle shaft with lever | 1        |                  |         |
| 22 | 1130 121 3302 | Throttle shutter          | 1        |                  |         |
| 23 | 1120 122 7400 | Round head screw          | 1        |                  |         |
| 24 | 1125 122 9001 | E-clip                    | 1        |                  |         |
| 26 | 1130 122 6300 | Idle speed screw          | 1        |                  |         |
| 27 | 1123 122 3203 | Torsion spring            | 1        |                  |         |
| 28 | 1123 120 7200 | Choke shaft with lever    | 1        |                  |         |
| 29 | 1125 122 7403 | Round head screw          | 1        |                  |         |

# Carburetor C1Q-S57, C1Q-S57, C1Q-S264

| #  | Part Number   | Description          | Quantity | Contains Item(s) | Remarks       |
|----|---------------|----------------------|----------|------------------|---------------|
| 30 | 1125 122 9002 | E-clip               | 1        |                  |               |
| 31 | 1132 121 2901 | Choke shutter        | 1        |                  |               |
| 32 | 4137 121 5601 | Fixed jet 0.42       | 1        |                  | High altitude |
| 33 | 1130 007 1061 | CARBURETOR PARTS KIT | 1        | 10, 11, 16, 17   |               |

# Carburetor C1Q-S152



1130-GET-0122  


# Carburetor C1Q-S152

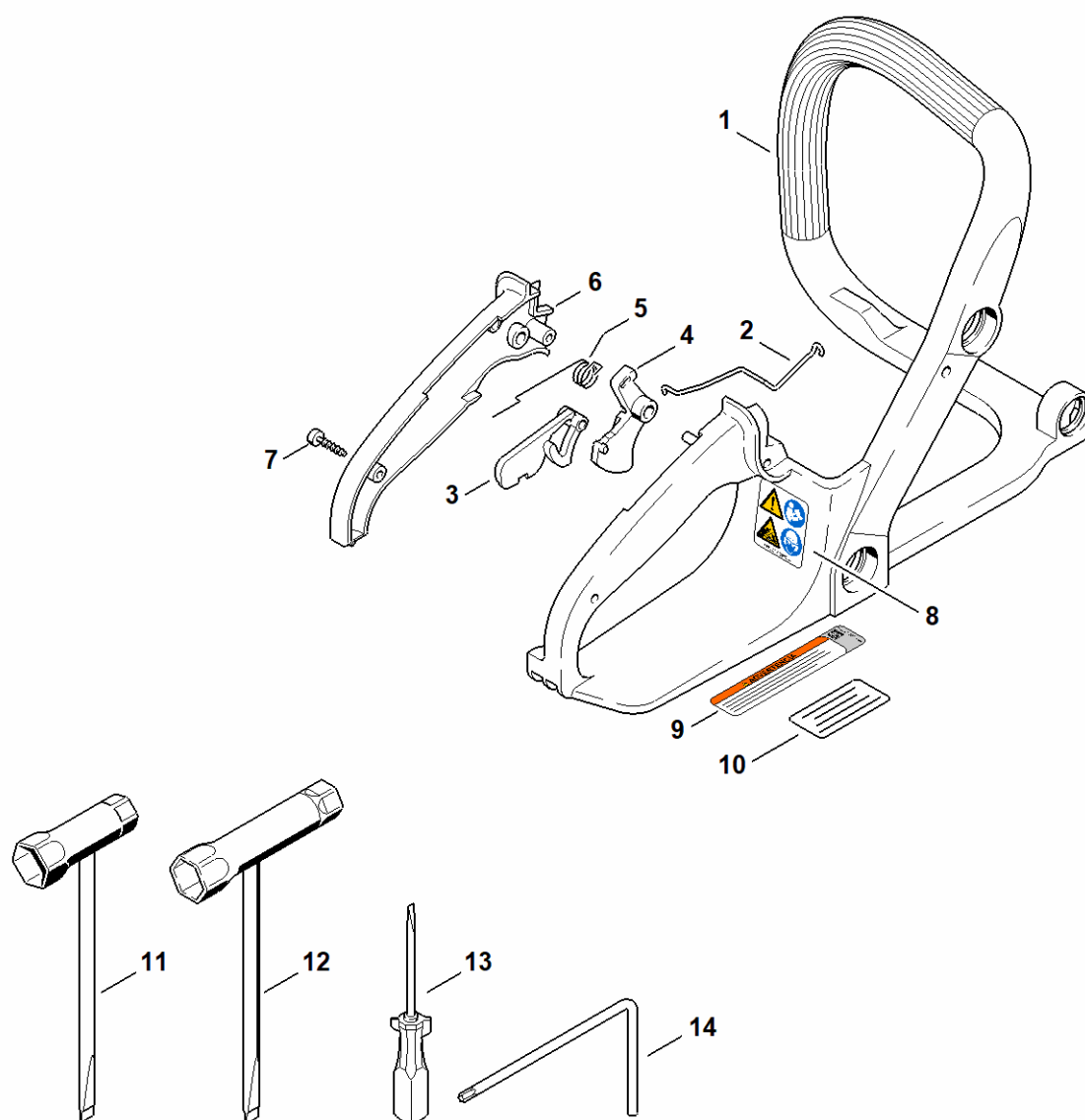
| #  | Part Number   | Description               | Quantity | Contains Item(s) | Remarks |
|----|---------------|---------------------------|----------|------------------|---------|
| 1  | 1130 120 0608 | Carburetor C1Q-S152E      | 1        | 2 - 29           |         |
| 2  | 1130 121 5401 | Valve jet                 | 1        |                  |         |
| 3  | 1123 121 5602 | Fixed jet 0.46            | 1        |                  |         |
| 4  | Z000 018 Z000 | Inlet needle              | 1        |                  |         |
| 5  | 1130 122 3001 | Spring                    | 1        |                  |         |
| 6  | 1125 121 5000 | Inlet control lever       | 1        |                  |         |
| 7  | 1120 121 9200 | Spindle                   | 1        |                  |         |
| 8  | 1120 122 6600 | Collar screw              | 1        |                  |         |
| 9  | 1130 129 0901 | Metering gasket           | 1        |                  |         |
| 10 | 1130 121 4700 | Metering diaphragm        | 1        |                  |         |
| 11 | 1130 121 0800 | End cover                 | 1        |                  |         |
| 12 | 9646 945 0490 | O-ring 7x1.5              | 1        |                  |         |
| 13 | 1120 122 6601 | Collar screw              | 4        |                  |         |
| 14 | 1123 121 7800 | Strainer                  | 1        |                  |         |
| 15 | 1130 121 4800 | Pump diaphragm            | 1        |                  |         |
| 16 | 1130 129 0900 | Pump gasket               | 1        |                  |         |
| 17 | 1130 121 0801 | End cover                 | 1        |                  |         |
| 18 | 1120 122 7800 | Oval head screw           | 1        |                  |         |
| 19 | 1123 122 3000 | Spring                    | 1        |                  |         |
| 20 | 1130 120 7101 | Throttle shaft with lever | 1        |                  |         |
| 21 | 1130 121 3302 | Throttle shutter          | 1        |                  |         |
| 22 | 1120 122 7400 | Round head screw          | 1        |                  |         |
| 23 | 1125 122 9001 | E-clip                    | 1        |                  |         |
| 24 | 1130 122 6301 | Idle speed screw          | 1        |                  |         |
| 25 | 1123 122 3203 | Torsion spring            | 1        |                  |         |
| 26 | 1123 120 7200 | Choke shaft with lever    | 1        |                  |         |
| 27 | 1125 122 7403 | Round head screw          | 1        |                  |         |

# Carburetor C1Q-S152

| #  | Part Number   | Description          | Quantity | Contains Item(s) | Remarks       |
|----|---------------|----------------------|----------|------------------|---------------|
| 28 | 1125 122 9002 | E-clip               | 1        |                  |               |
| 29 | 1132 121 2901 | Choke shutter        | 1        |                  |               |
| 3  | 4137 121 5601 | Fixed jet 0.42       | 1        |                  | High altitude |
| 30 | 1130 007 1061 | CARBURETOR PARTS KIT | 1        | 9, 10, 15, 16    |               |



# Handle frame, Tools

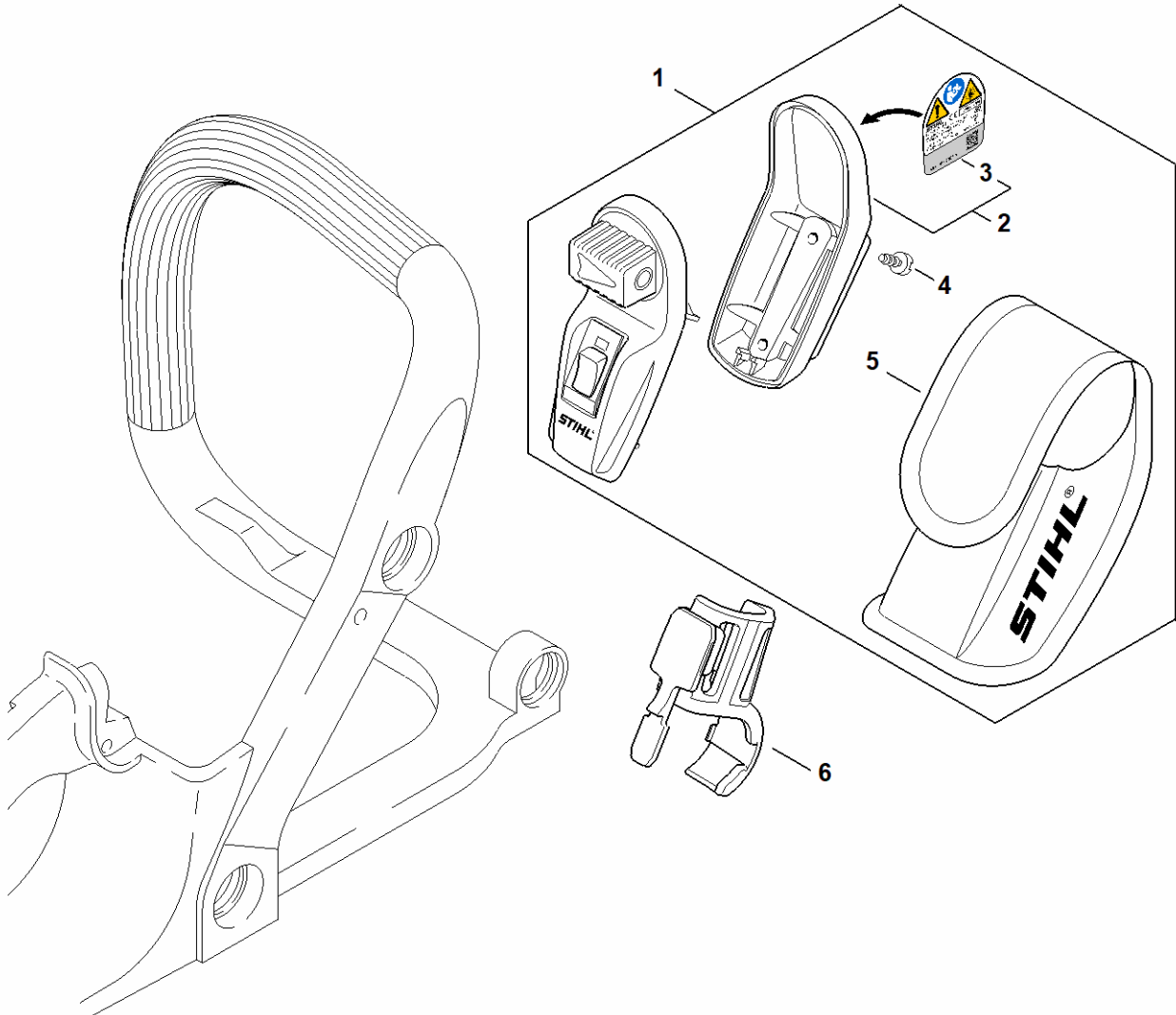


1130-GET-0106  
K1

# Handle frame, Tools

| #  | Part Number   | Description             | Quantity | Contains Item(s) | Remarks |
|----|---------------|-------------------------|----------|------------------|---------|
| 1  | 1130 791 4901 | Handle frame            | 1        |                  |         |
| 2  | 1130 182 1502 | Throttle rod            | 1        |                  |         |
| 3  | 1130 182 0800 | Lockout lever           | 1        |                  |         |
| 4  | 1130 182 1002 | Throttle trigger        | 1        |                  |         |
| 5  | 1117 182 4500 | Torsion spring          | 1        |                  |         |
| 6  | 1130 791 0601 | Handle molding          | 1        |                  |         |
| 7  | 9074 478 3075 | Pan head screw IS P4x19 | 2        |                  |         |
| 8  | 0000 967 7250 | Warning pictogram MS    | 1        |                  |         |
| 11 | 1129 890 3401 | Combination wrench      | 1        |                  |         |
| 13 | 0000 890 2300 | Screwdriver             | 1        |                  |         |
| 14 | 0812 370 1000 | Screwdriver T27x120x70  | 1        |                  |         |

# 2-in-1 laser

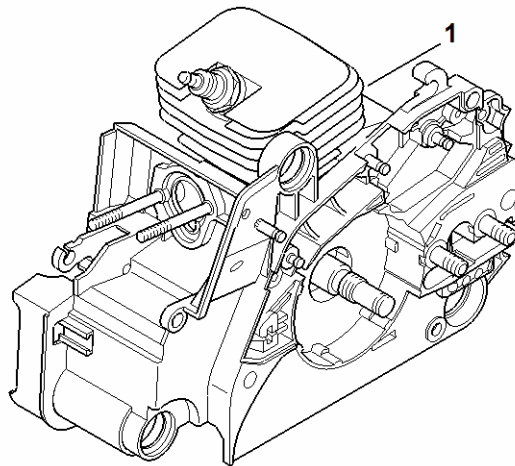


1130-GET-0107  
KG

## 2-in-1 laser

| # | Part Number   | Description                          | Quantity | Contains Item(s) | Remarks |
|---|---------------|--------------------------------------|----------|------------------|---------|
| 1 | 0000 400 0200 | Laser                                | 1        | 2 - 5            |         |
| 2 | 0000 430 9900 | Handle molding, bottom               | 1        | 3                |         |
| 3 | 0000 967 7307 | Warning pictogram                    | 1        |                  |         |
| 4 | 9074 478 2967 | Pan head self-tapping screw IS-P4x10 | 2        |                  |         |
| 5 | 0000 491 0100 | Bag                                  | 1        |                  |         |
| 6 | 1130 791 5400 | Support                              | 1        |                  |         |

# Serial number

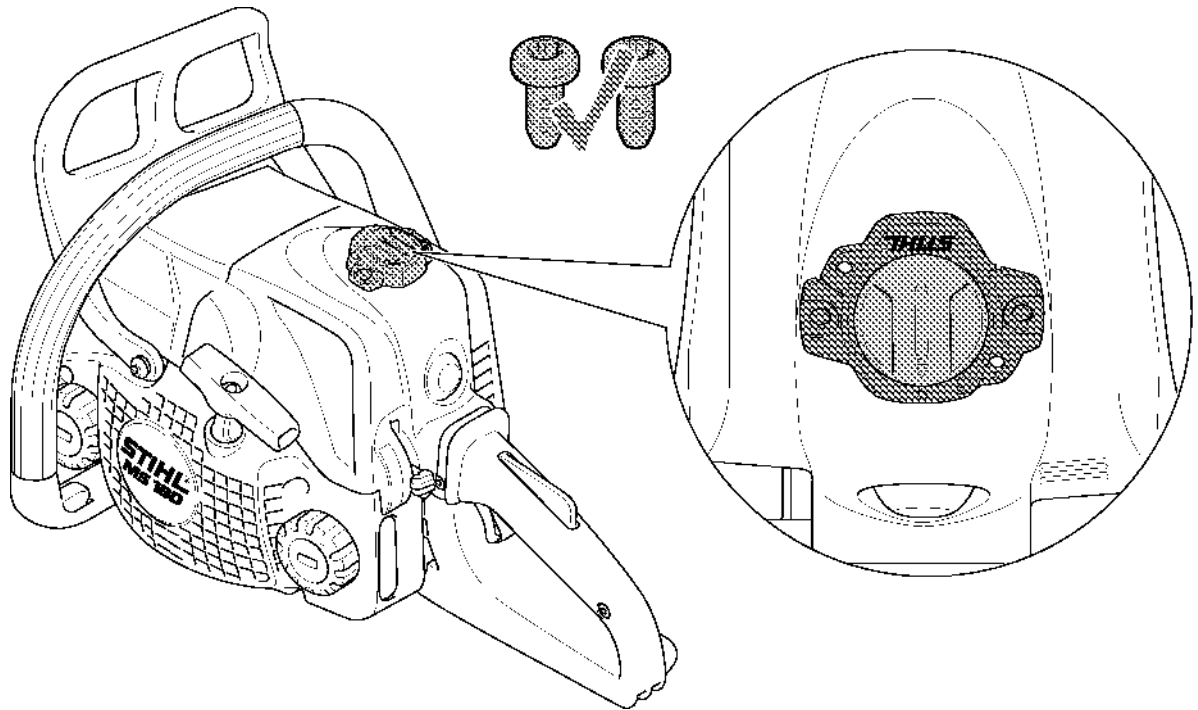


1130-GET-0108  
KG

# Serial number

| # | Part Number | Description               | Quantity | Contains Item(s) | Remarks |
|---|-------------|---------------------------|----------|------------------|---------|
| 1 |             | Position of serial number | 1        |                  |         |

# Smart Connector

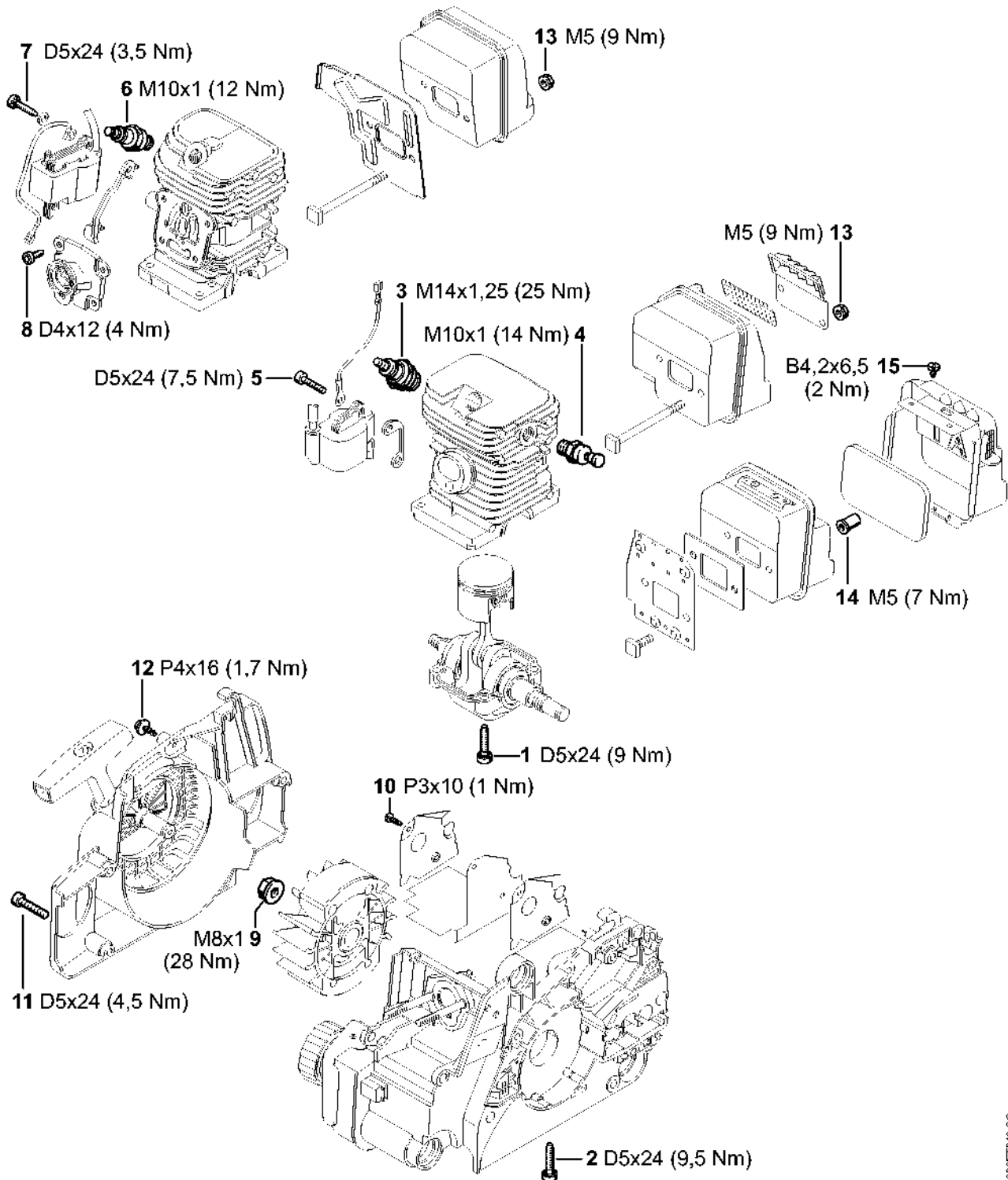


# Smart Connector

| # | Part Number | Description                 | Quantity | Contains Item(s) | Remarks |
|---|-------------|-----------------------------|----------|------------------|---------|
|   |             | Position of Smart Connector | 1        |                  |         |



# Tightening torques

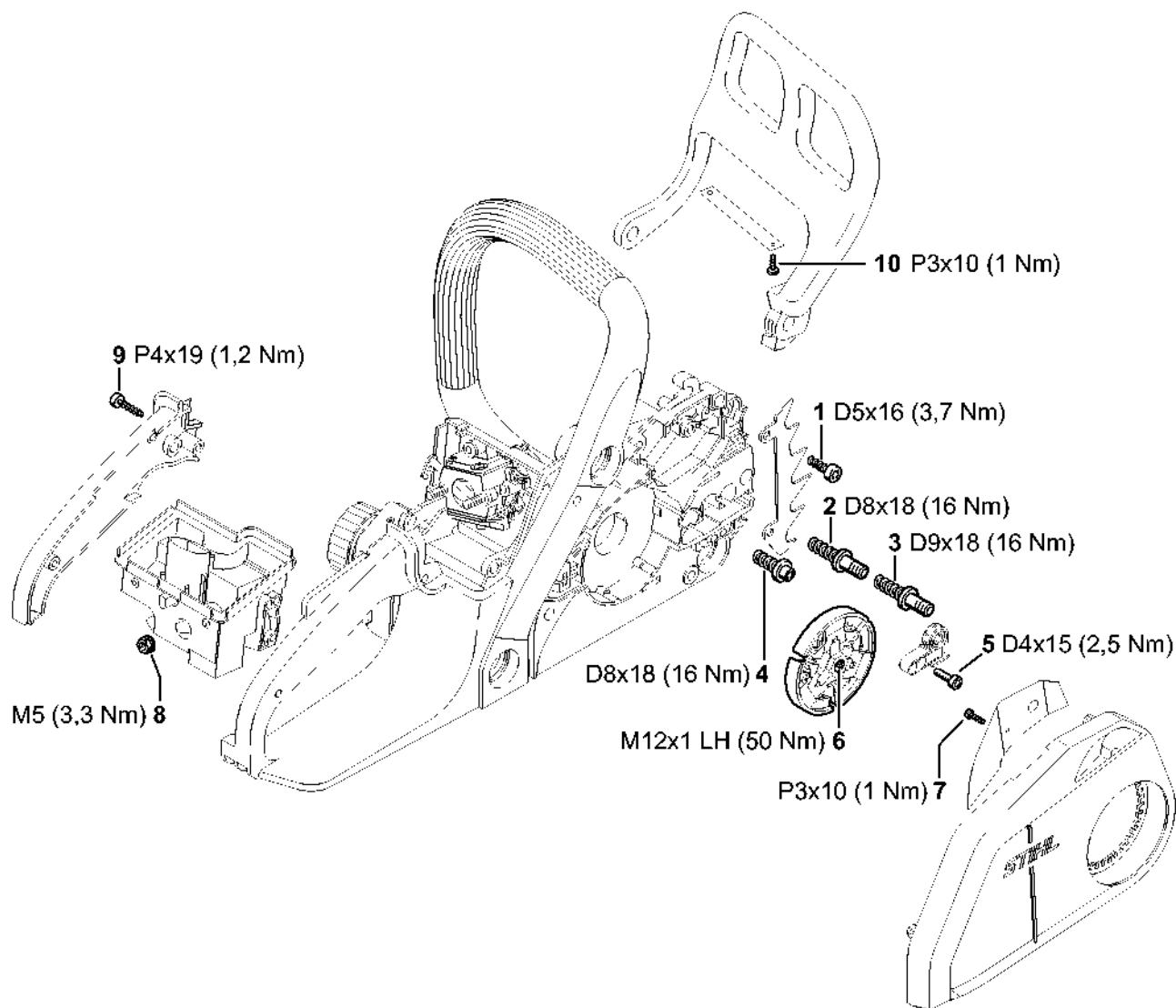


206ET049 SC

# Tightening torques

| #  | Part Number   | Description                          | Quantity | Contains Item(s) | Remarks        |
|----|---------------|--------------------------------------|----------|------------------|----------------|
| 1  | 9075 478 4159 | Pan head self-tapping screw IS-D5x24 | 4        |                  | Binding thread |
| 2  | 9075 478 4159 | Pan head self-tapping screw IS-D5x24 | 4        |                  | Binding thread |
| 3  | 0000 400 7016 | Spark plug STIHL                     | 1        |                  |                |
| 3  | 0000 400 7000 | Spark plug NGK BPMR7A                | 1        |                  |                |
| 3  | 1110 400 7005 | Spark plug Bosch WSR 6 F             | 1        |                  |                |
| 5  | 9075 478 4155 | Pan head self-tapping screw IS-D5x24 | 2        |                  |                |
| 7  | 9075 478 3012 | Pan head self-tapping screw IS-D4x12 | 2        |                  |                |
| 8  | 9075 478 3022 | Pan head self-tapping screw IS-D4x20 | 2        |                  |                |
| 9  | 0000 955 0802 | Collar nut M8x1                      | 1        |                  |                |
| 11 | 9075 478 4155 | Pan head self-tapping screw IS-D5x24 | 3        |                  |                |
| 12 | 9104 003 8733 | Self-tapping screw P4x16             | 1        |                  |                |
| 13 | 9216 261 0700 | Hexagon nut M5                       | 2        |                  |                |

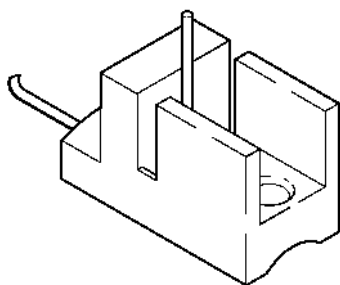
# Tightening torques



1130-GET-0002-A0

# Tightening torques

| # | Part Number   | Description                          | Quantity | Contains Item(s) | Remarks |
|---|---------------|--------------------------------------|----------|------------------|---------|
| 1 | 9075 478 4115 | Pan head self-tapping screw IS-D5x16 | 2        |                  |         |
| 2 | 1123 664 2400 | Collar screw                         | 1        |                  |         |
| 3 | 1123 664 2405 | Collar screw D9/M8                   | 1        |                  |         |
| 4 | 1123 664 2402 | Collar screw                         | 1        |                  |         |
| 5 | 9075 478 3015 | Pan head self-tapping screw IS-D4x15 | 1        |                  |         |
| 6 | 1123 160 2050 | Clutch                               | 1        |                  |         |
| 7 | 9104 003 8600 | Self-tapping screw P3x10             | 1        |                  |         |
| 8 | 9216 261 0700 | Hexagon nut M5                       | 2        |                  |         |
| 9 | 9074 478 3075 | Pan head screw IS P4x19              | 2        |                  |         |

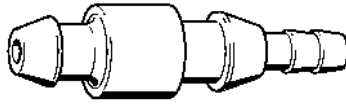


901SW005 GM

# Jaw

| # | Part Number   | Description | Quantity | Contains Item(s) | Remarks |
|---|---------------|-------------|----------|------------------|---------|
|   | 0000 890 3700 | Jaw         | 1        |                  |         |

# Nipple



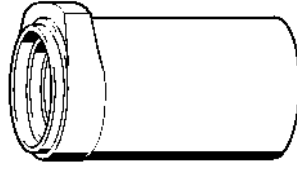
901SW008 GM

# Nipple

| # | Part Number   | Description | Quantity | Contains Item(s) | Remarks |
|---|---------------|-------------|----------|------------------|---------|
|   | 0000 855 9200 | Nipple      | 1        |                  |         |



# Press sleeve



9015W068.GM

# Press sleeve

| # | Part Number   | Description  | Quantity | Contains Item(s) | Remarks |
|---|---------------|--------------|----------|------------------|---------|
|   | 1123 893 2400 | Press sleeve | 1        |                  |         |



9015W069 GM

# Guide

| # | Part Number   | Description | Quantity | Contains Item(s) | Remarks |
|---|---------------|-------------|----------|------------------|---------|
|   | 1123 894 7700 | Guide       | 1        |                  |         |

# Sealing plate

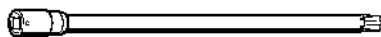


901SW078-GM

# Sealing plate

| # | Part Number   | Description   | Quantity | Contains Item(s) | Remarks |
|---|---------------|---------------|----------|------------------|---------|
|   | 0000 855 8106 | Sealing plate | 1        |                  |         |

# Socket, T27x125



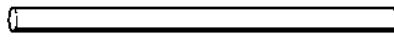
9015W091 GM

# Socket, T27x125

| # | Part Number   | Description                            | Quantity | Contains Item(s) | Remarks |
|---|---------------|--|----------|------------------|---------|
|   | 0812 542 2104 | Driver bit, 1/4" square drive, T27x125 | 1        |                  |         |



# Hose 135 mm / 5 5/16"

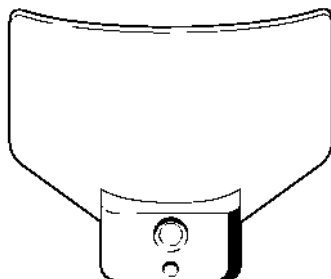


901SW100 GM

# Hose 135 mm / 5 5/16"

| # | Part Number   | Description           | Quantity | Contains Item(s) | Remarks |
|---|---------------|-----------------------|----------|------------------|---------|
|   | 1110 141 8600 | Hose 135 mm / 5 5/16" | 1        |                  |         |

# Setting gauge

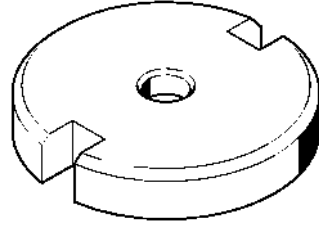


901SW107 GM

# Setting gauge

| # | Part Number   | Description   | Quantity | Contains Item(s) | Remarks |
|---|---------------|---------------|----------|------------------|---------|
|   | 1111 890 6400 | Setting gauge | 1        |                  |         |

# Installing tool



901SW11 GM

# Installing tool

| # | Part Number   | Description     | Quantity | Contains Item(s) | Remarks |
|---|---------------|-----------------|----------|------------------|---------|
|   | 1116 893 4800 | Installing tool | 1        |                  |         |

# Assembly tube



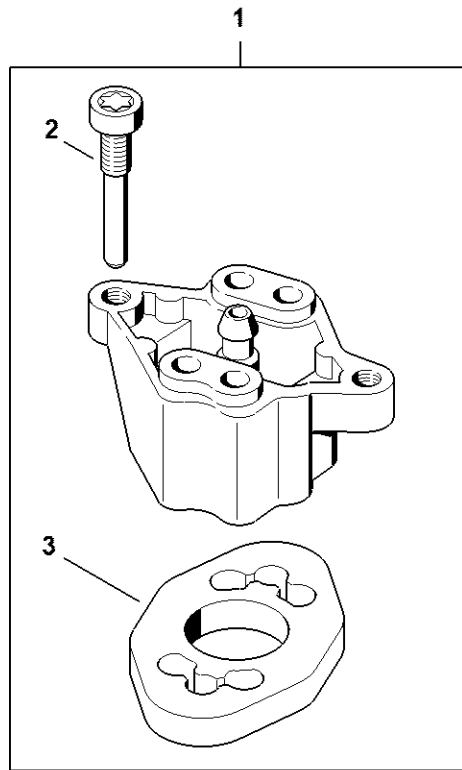
9015W112.GM

# Assembly tube

| # | Part Number   | Description   | Quantity | Contains Item(s) | Remarks |
|---|---------------|---------------|----------|------------------|---------|
|   | 1117 890 0900 | Assembly tube | 1        |                  |         |



# Flange

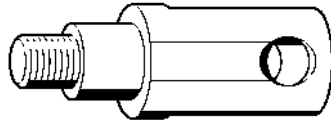


5910-GET-0183-A1

# Flange

| # | Part Number   | Description | Quantity | Contains Item(s) | Remarks |
|---|---------------|-------------|----------|------------------|---------|
| 1 | 5910 850 4207 | Flange      | 1        | 2, 3             |         |
| 2 | 1128 855 9000 | Screw M5x30 | 1        |                  |         |
| 3 | 5910 851 9901 | Gasket      | 1        |                  |         |

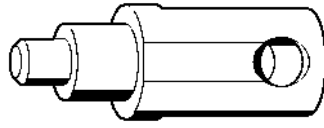
# Puller



9015W143 GM

# Puller

| # | Part Number   | Description | Quantity | Contains Item(s) | Remarks |
|---|---------------|-------------|----------|------------------|---------|
|   | 1130 893 1400 | Puller      | 1        |                  |         |

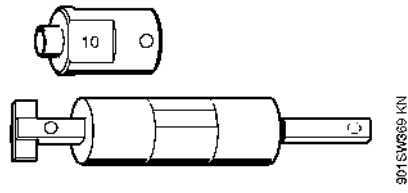


901SW144 GM

# Installer

| # | Part Number   | Description | Quantity | Contains Item(s) | Remarks |
|---|---------------|-------------|----------|------------------|---------|
|   | 1130 893 1500 | Installer   | 1        |                  |         |

# Installing tool, 10



# Installing tool, 10

| # | Part Number   | Description         | Quantity | Contains Item(s) | Remarks |
|---|---------------|---------------------|----------|------------------|---------|
|   | 5910 890 2210 | Installing tool, 10 | 1        |                  |         |
|   | 5910 893 1707 | Sleeve              | 1        |                  |         |



# Stud puller, M8

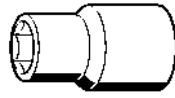


901SW209 GM

# Stud puller, M8

| # | Part Number   | Description     | Quantity | Contains Item(s) | Remarks |
|---|---------------|-----------------|----------|------------------|---------|
|   | 5910 893 0501 | Stud puller, M8 | 1        |                  |         |

# Socket, 13 mm

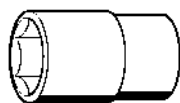


901SW217 GM

# Socket, 13 mm

| # | Part Number   | Description   | Quantity | Contains Item(s) | Remarks |
|---|---------------|---------------|----------|------------------|---------|
|   | 5910 893 5608 | Socket, 13 mm | 1        |                  |         |

# Socket, 19 mm

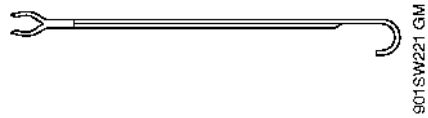


901SW219 GM

# Socket, 19 mm

| # | Part Number   | Description   | Quantity | Contains Item(s) | Remarks |
|---|---------------|---------------|----------|------------------|---------|
|   | 5910 893 5612 | Socket, 19 mm | 1        |                  |         |

# Assembly hook

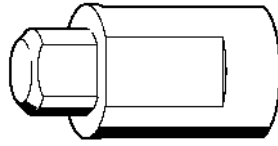


# Assembly hook

| # | Part Number   | Description   | Quantity | Contains Item(s) | Remarks |
|---|---------------|---------------|----------|------------------|---------|
|   | 5910 893 8800 | Assembly hook | 1        |                  |         |



# Sleeve

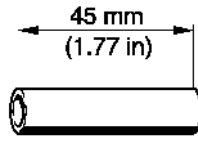


9015W288 KN

# Sleeve

| # | Part Number   | Description | Quantity | Contains Item(s) | Remarks |
|---|---------------|-------------|----------|------------------|---------|
|   | 5910 893 1708 | Sleeve      | 1        |                  |         |

# Sleeve



9019W276 KN

# Sleeve

| # | Part Number   | Description | Quantity | Contains Item(s) | Remarks |
|---|---------------|-------------|----------|------------------|---------|
|   | 1123 851 8300 | Sleeve      | 1        |                  |         |

# Locking strip

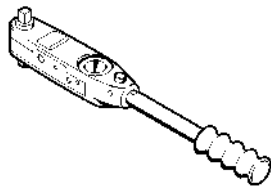


581 D-GET-0125-AD

# Locking strip

| # | Part Number   | Description   | Quantity | Contains Item(s) | Remarks |
|---|---------------|---------------|----------|------------------|---------|
| 1 | 0000 893 5903 | Locking strip | 1        |                  |         |

# Torque wrench with optical/acoustic signal



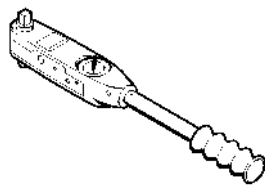
901SW290 KN

# Torque wrench with optical/acoustic signal

| # | Part Number   | Description                                | Quantity | Contains Item(s) | Remarks |
|---|---------------|--|----------|------------------|---------|
|   | 5910 890 0312 | Torque wrench with optical/acoustic signal | 1        |                  |         |



# Torque wrench

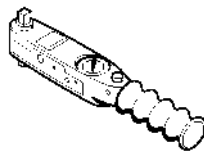


9015W251 KN

# Torque wrench

| # | Part Number   | Description   | Quantity | Contains Item(s) | Remarks |
|---|---------------|---------------|----------|------------------|---------|
|   | 5910 890 0311 | Torque wrench | 1        |                  |         |

# Torque wrench with optical/acoustic signal

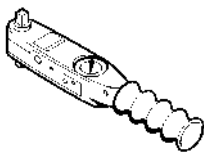


9013W262 KN

# Torque wrench with optical/acoustic signal

| # | Part Number | Description   | Quantity | Contains Item(s) | Remarks |
|---|-------------|---------------|----------|------------------|---------|
|   |             | Torque wrench | 1        |                  |         |

# Torque wrench

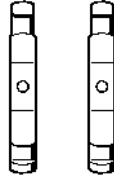


9015W286 KN

# Torque wrench

| # | Part Number   | Description   | Quantity | Contains Item(s) | Remarks |
|---|---------------|---------------|----------|------------------|---------|
|   | 5910 890 0301 | Torque wrench | 1        |                  |         |

# Jaw (profile No. 3.1 and 4)



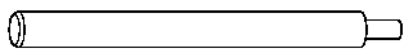
MS 268MAS106

## Jaw (profile No. 3.1 and 4)

| # | Part Number   | Description                 | Quantity | Contains Item(s) | Remarks |
|---|---------------|-----------------------------|----------|------------------|---------|
|   | 0000 893 3706 | Jaw (profile No. 3.1 and 4) | 1        |                  |         |



# Assembly drift

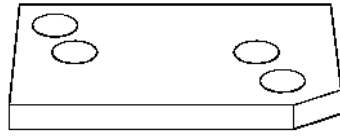


9015W365 CAM

# Assembly drift

| # | Part Number   | Description    | Quantity | Contains Item(s) | Remarks |
|---|---------------|----------------|----------|------------------|---------|
|   | 1130 893 4700 | Assembly drift | 1        |                  |         |

# Flange

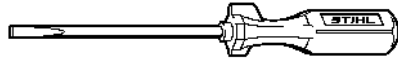


9015W366 CAM

# Flange

| # | Part Number   | Description | Quantity | Contains Item(s) | Remarks |
|---|---------------|-------------|----------|------------------|---------|
|   | 1123 855 4200 | Flange      | 1        |                  |         |

# Screwdriver

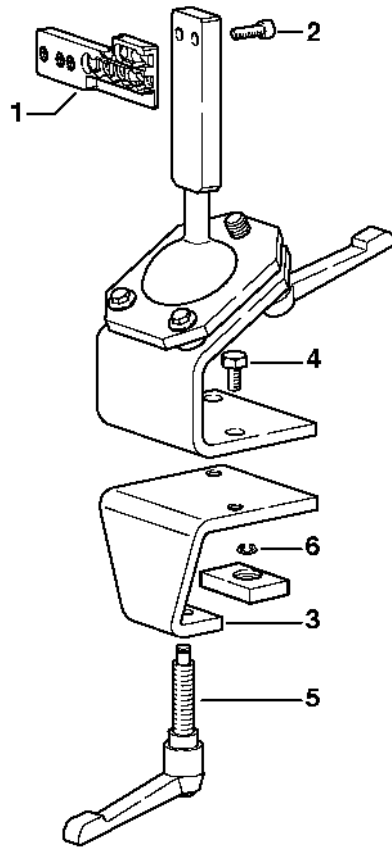


901 31V358 C11

# Screwdriver

| # | Part Number   | Description | Quantity | Contains Item(s) | Remarks |
|---|---------------|-------------|----------|------------------|---------|
|   | 0000 890 2300 | Screwdriver | 1        |                  |         |

# Assembly stand



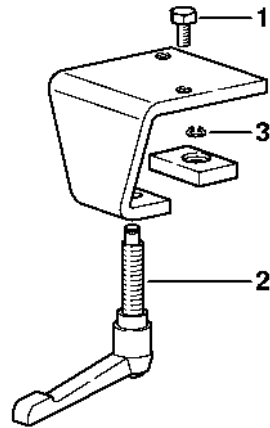
90151633 SC

# Assembly stand

| # | Part Number   | Description               | Quantity | Contains Item(s) | Remarks |
|---|---------------|---------------------------|----------|------------------|---------|
|   | 5910 890 3101 | Assembly stand            | 1        | 1 - 6            |         |
| 1 | 5910 850 1651 | Support                   | 1        |                  |         |
| 2 | 9045 319 2390 | Socket head screw M10x25  | 2        |                  |         |
| 3 | 5910 850 2100 | Clamping plate            | 1        | 4 - 6            |         |
| 4 | 9008 319 2930 | Hexagon head screw M12x20 | 2        |                  |         |
| 5 | 5910 890 1901 | Clamp lever               | 1        |                  |         |
| 6 | 9455 621 0850 | Circlip 10x1              | 1        |                  |         |



# Clamping plate

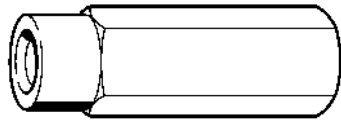


9015W364 SC

# Clamping plate

| #        | Part Number   | Description               | Quantity | Contains Item(s) | Remarks |
|----------|---------------|---------------------------|----------|------------------|---------|
|          | 5910 850 2100 | Clamping plate            | 1        | 1 - 3            |         |
| <b>1</b> | 9008 319 2930 | Hexagon head screw M12x20 | 2        |                  |         |
| <b>2</b> | 5910 890 1901 | Clamp lever               | 1        |                  |         |
| <b>3</b> | 9455 621 0850 | Circlip 10x1              | 1        |                  |         |

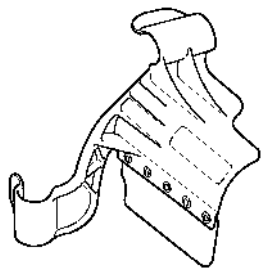
# Puller



801516388 KN

# Puller

| # | Part Number   | Description | Quantity | Contains Item(s) | Remarks |
|---|---------------|-------------|----------|------------------|---------|
|   | 5910 893 0801 | Puller      | 1        |                  |         |

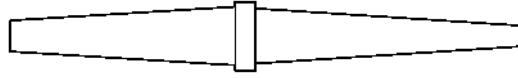


901SW464 GM

# Cover

| # | Part Number   | Description | Quantity | Contains Item(s) | Remarks |
|---|---------------|-------------|----------|------------------|---------|
|   | 5910 890 3200 | Cover       | 1        |                  |         |

# Nipple



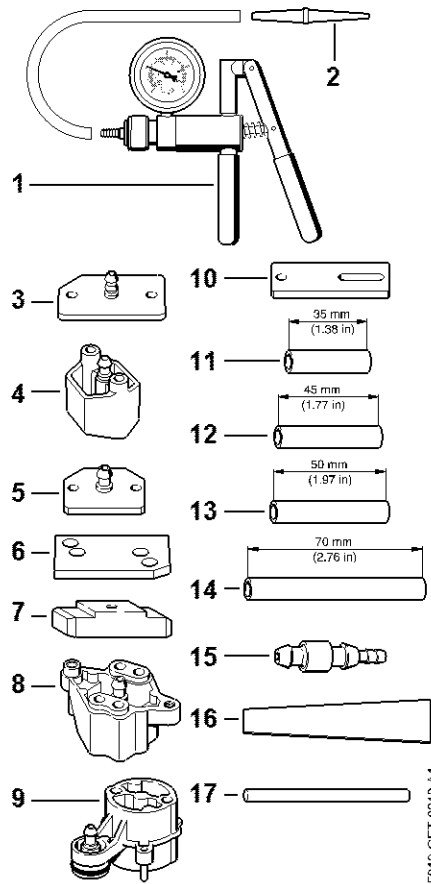
9013W496 GM

# Nipple

| # | Part Number   | Description | Quantity | Contains Item(s) | Remarks |
|---|---------------|-------------|----------|------------------|---------|
|   | 0000 855 9201 | Nipple      | 1        |                  |         |

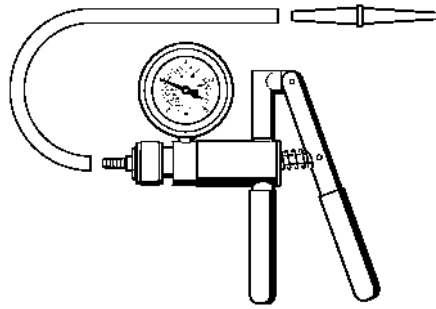


# Testing tool kit



# Testing tool kit

| #  | Part Number   | Description           | Quantity | Contains Item(s) | Remarks |
|----|---------------|-----------------------|----------|------------------|---------|
|    | 0000 890 1701 | Testing tool kit      | 1        | 1 - 17           |         |
| 1  | 0000 850 1300 | Pump                  | 1        | 2                |         |
| 2  | 0000 855 9201 | Nipple                | 1        |                  |         |
| 3  | 1106 850 4201 | Flange                | 1        |                  |         |
| 4  | 1118 850 4200 | Flange                | 1        |                  |         |
| 5  | 1119 850 4201 | Test flange           | 1        |                  |         |
| 6  | 1123 855 4200 | Flange                | 1        |                  |         |
| 7  | 1124 850 4205 | Flange                | 1        |                  |         |
| 8  | 5910 850 4207 | Flange                | 1        |                  |         |
| 9  | 4224 890 1200 | Flange                | 1        |                  |         |
| 10 | 5910 855 4206 | Flange                | 1        |                  |         |
| 11 | 5910 893 1702 | Sleeve                | 2        |                  |         |
| 12 | 1123 851 8300 | Sleeve                | 2        |                  |         |
| 13 | 1124 893 7100 | Sleeve                | 2        |                  |         |
| 14 | 1127 851 8300 | Sleeve                | 2        |                  |         |
| 15 | 0000 855 9200 | Nipple                | 1        |                  |         |
| 16 | 0000 855 8106 | Sealing plate         | 1        |                  |         |
| 17 | 1110 141 8600 | Hose 135 mm / 5 5/16" | 1        |                  |         |



901 SW498 GM

# Pump

| # | Part Number   | Description | Quantity | Contains Item(s) | Remarks |
|---|---------------|-------------|----------|------------------|---------|
|   | 0000 850 1300 | Pump        | 1        |                  |         |
|   | 0000 855 9201 | Nipple      | 1        |                  |         |
|   | 0000 855 0100 | Hose        | 1        |                  |         |

# Stud puller, M8-7,5

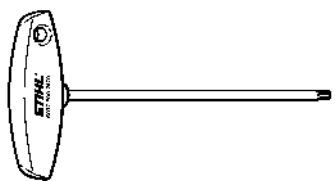


9015W502 GM

# Stud puller, M8-7,5

| # | Part Number   | Description        | Quantity | Contains Item(s) | Remarks |
|---|---------------|--------------------|----------|------------------|---------|
|   | 5910 890 3000 | Stud driver M8-7.5 | 1        |                  |         |

# Screwdriver, T27x150



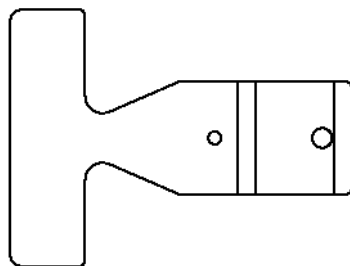
901SW67E K11

# Screwdriver, T27x150

| # | Part Number   | Description          | Quantity | Contains Item(s) | Remarks |
|---|---------------|----------------------|----------|------------------|---------|
|   | 5910 890 2400 | Screwdriver, T27x150 | 1        |                  |         |



# Setting gauge

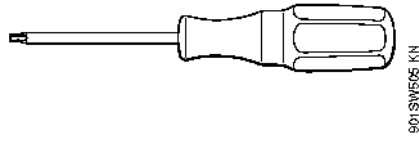


901SW605-SC

# Setting gauge

| # | Part Number   | Description   | Quantity | Contains Item(s) | Remarks |
|---|---------------|---------------|----------|------------------|---------|
|   | 0000 890 6401 | Setting gauge | 1        |                  |         |

# Screwdriver, T8



# Screwdriver, T8

| # | Part Number   | Description     | Quantity | Contains Item(s) | Remarks |
|---|---------------|-----------------|----------|------------------|---------|
|   | 5910 890 2310 | Screwdriver, T8 | 1        |                  |         |