

MS 171

Spare Parts List
12/14/2023
Australia, English

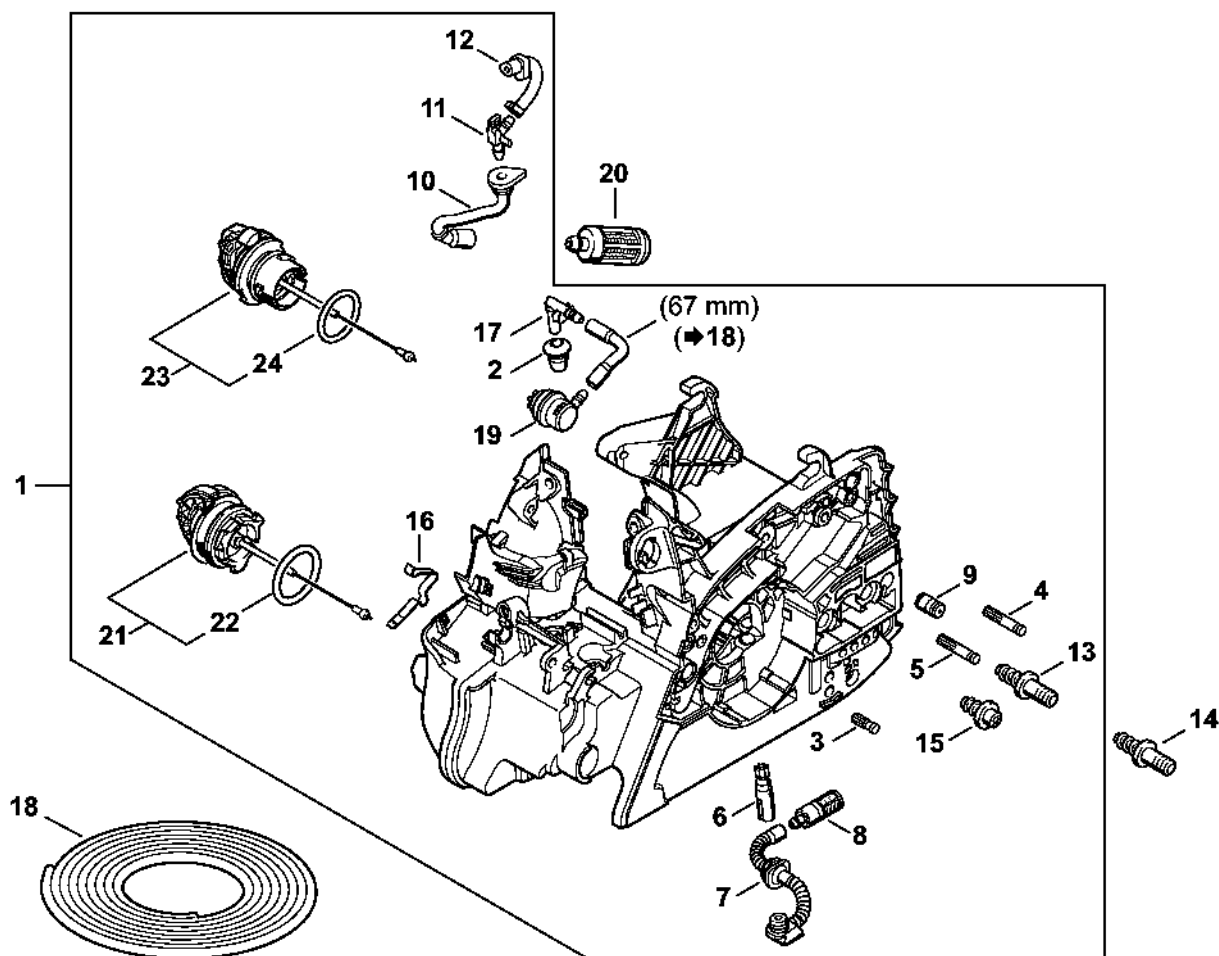
Contents

Motor housing	3	Installing tool	68
Cylinder, Muffler	5	Assembly tube	70
Rewind starter	7	Puller	72
Ignition system	9	Installer	74
Hand guard, Chain brake	11	Assembly hook	76
Quick chain tensioner	14	Stud puller, M8	78
Air filter, Manifold	16	Socket, 13 mm	80
Carburetor 1139/30	18	Assembly hook	82
Carburetor 1139/29; C1Q-S270	21	Ignition system tester, ZAT 3	84
Carburetor C1Q-S217	24	Ignition system tester, ZAT 4	86
Carburetor C1Q-S123	28	Puller	88
Handle frame, Shroud	32	Socket, 13 mm, long reach	90
Tools, Extras	34	Screwdriver	92
2-in-1 laser	36	Setting disk	94
Serial number	38	Torque wrench with optical/acoustic signal	96
Tightening torques	40	Torque wrench	98
Tightening torques	42	Torque wrench with optical/acoustic signal	100
Miscellaneous lubricants and greases	44	Torque wrench	102
Nipple	46	Jaw (profile No. 3.1 and 4)	104
Installing tool	48	Jaw (profile No. 6)	106
Assembly drift	50	Flange	108
Installing sleeve	52	Assembly stand	110
Press sleeve	54	Flange	112
Screwdriver	56	Sleeve	114
Socket, S19x12.5L	58	Installing tool, 10	116
Sealing plate	60	Puller	118
Pliers A19	62	Puller	120
Socket, T27x125	64	Installing tool	122
Hose 135 mm / 5 5/16"	66	Locking strip	124

Contents

Cover	126
Nipple	128
Pump	130
Stud puller, M8-7,5	132
Support	134
Screwdriver, T27x150	136
Setting gauge	138

Motor housing

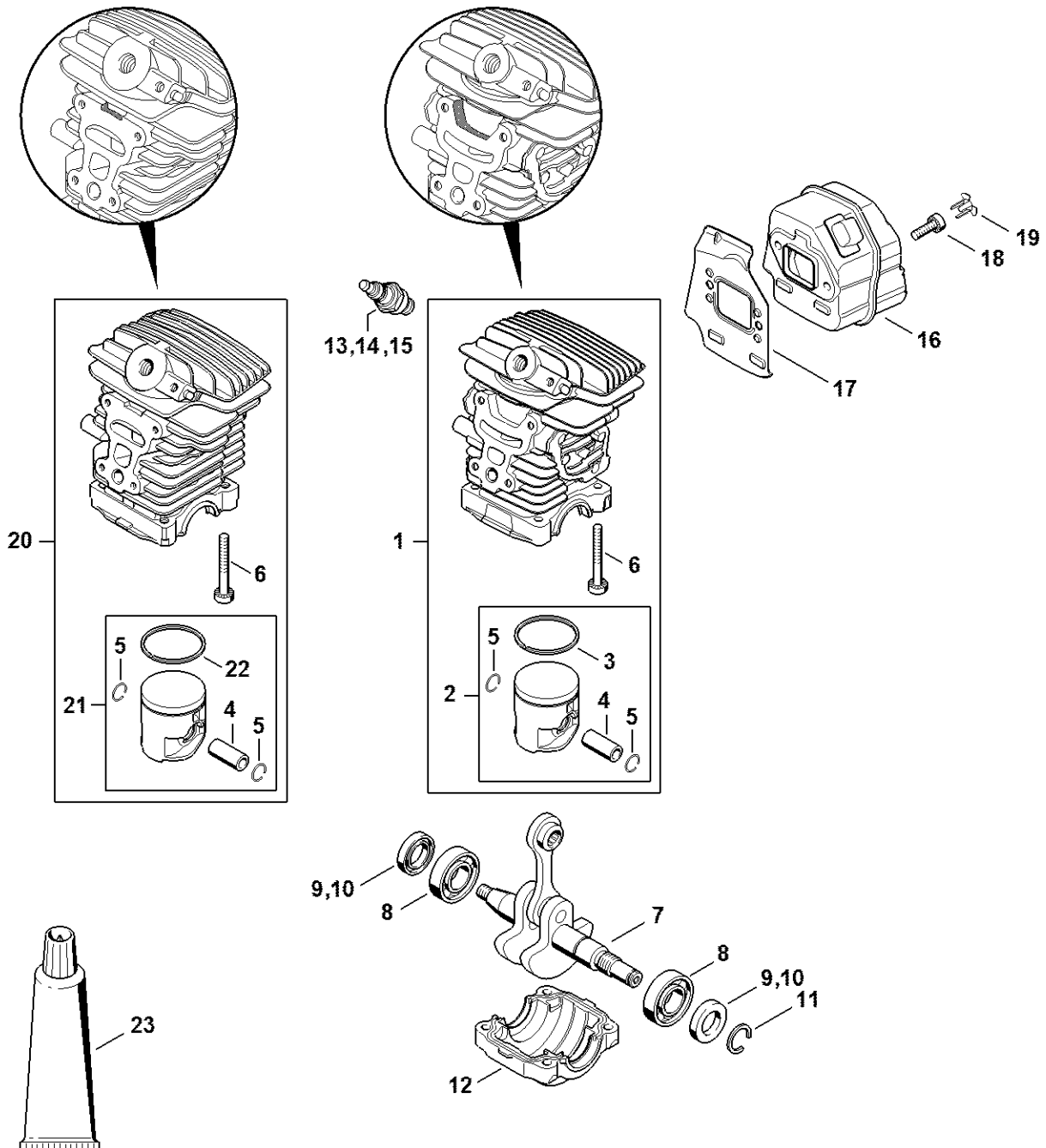


1139-GET-008-A0

Motor housing

#	Part Number	Description	Quantity	Contains Item(s)	Remarks
1	1139 020 3006	Engine housing	1	2 - 13, 15 - 17, 19, 21 - 24	
2	0000 989 0608	Grommet	1		
3	1120 162 5200	Pin	1		
4	1123 162 5200	Pin	1		
5	1123 162 5205	Pin	1		
6	1123 640 3200	Oil pump 0.55	1		
7	1139 647 4000	Oil hose	1		
8	1123 640 3800	Pickup body	1		
9	1128 640 9100	Valve	1		
10	1139 358 7700	Hose	1		
11	1139 122 3900	Elbow connector	1		
12	1139 358 7706	Hose	1		
13	1123 664 2400	Collar screw	1		
14	1123 664 2405	Collar screw D9/M8	1		
15	1123 664 2402	Collar screw	1		
16	1139 442 1601	Contact spring	1		
17	1139 353 2700	Connector	1		
18	0000 930 2803	Hose 3.1x5.7 mm x 1 m, R3	1		
19	0000 350 5802	Tank vent	1		
20	0000 350 3500	Pickup body	1		
21	0000 350 0533	Filler cap	1	22	
22	9645 948 7734	O-ring 25x3.5	1		
23	0000 350 0537	Oil filler cap	1	24	
24	9645 948 2470	O-ring 23x3	1		

Cylinder, Muffler

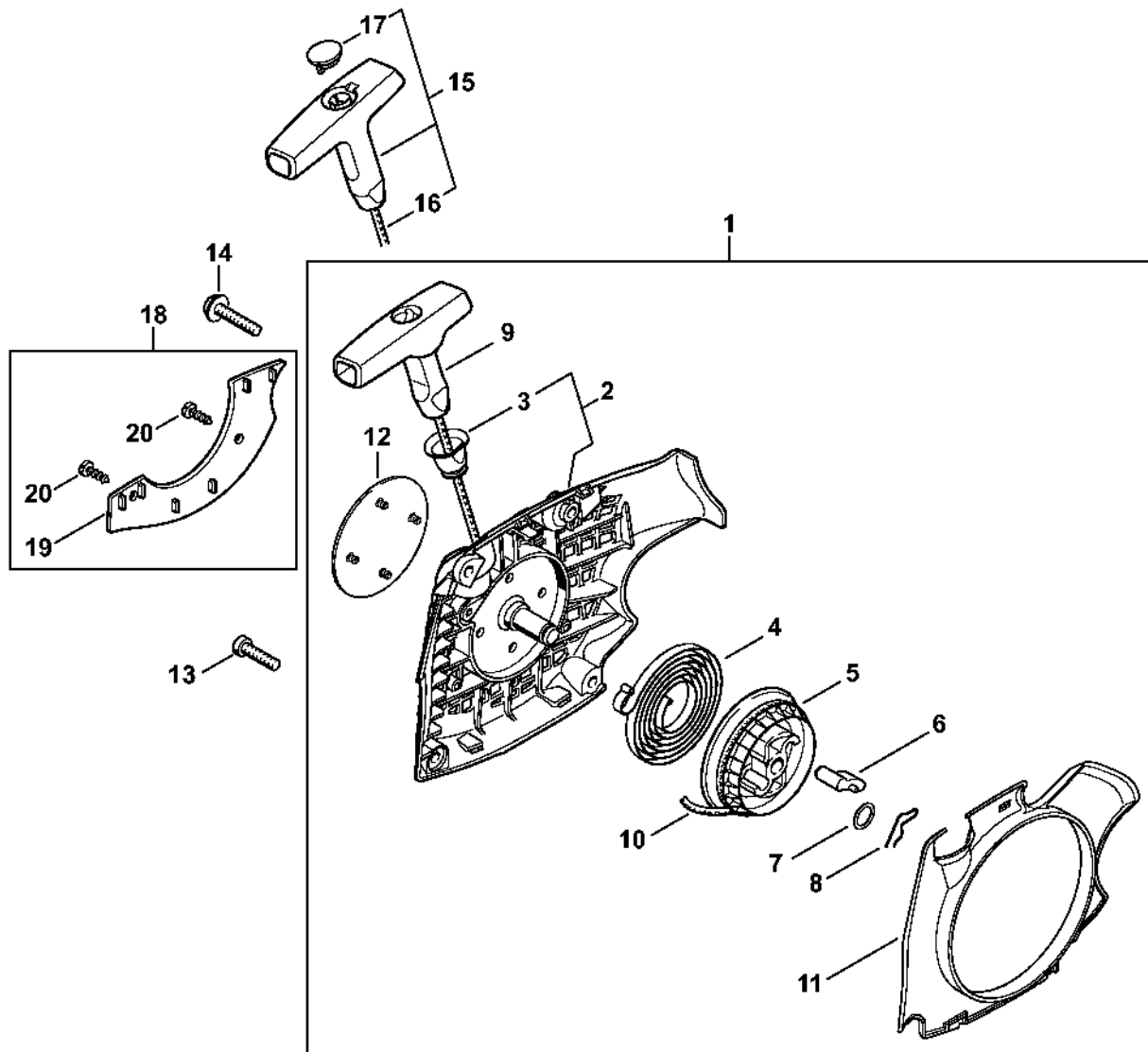


1139-GET-0107-AD

Cylinder, Muffler

#	Part Number	Description	Quantity	Contains Item(s)	Remarks
1	1139 020 1204	Cylinder with piston Ø 38 mm Above Serial Number: 287759516	1	2 - 6	
2	1139 030 2006	Piston Ø 38 mm Above Serial Number: 287759516	1	3 - 5	
3	1130 034 3002	Piston ring Ø 38x1.2 mm Above Serial Number: 287759516	1		
4	1139 034 1500	Piston pin 10x6.5x23	1		
5	9463 650 1000	Snap ring 10	2		
6	9075 478 4195	Pan head self-tapping screw IS-D5.3x41	4		
7	1139 030 0401	Crankshaft	1		
8	9503 003 0312	Grooved ball bearing 6002	2		
9	9638 003 1581	Oil seal 15x25x5	2		
10	9639 003 1585	Oil seal 15x25x5	2		
11	9468 621 1520	Circlip 15x1	1		
12	1139 021 2503	Engine pan	1		
13	0000 400 7011	Spark plug NGK CMR6H	1		
16	1139 140 0609	Muffler	1		
17	1139 141 3201	Cooling plate	1		
18	9075 478 4085	Pan head self-tapping screw IS-D5x18	2		
19	1135 145 9002	Plug	2		
20	1139 020 1200	Cylinder with piston Ø 37 mm Up to Serial Number: 289582455	1	4 - 6, 21, 22	
21	1139 030 2003	Piston Ø 37 mm Up to Serial Number: 289582455	1	4, 5, 22	
22	1130 034 3003	Piston ring Ø 37x1.2 mm Up to Serial Number: 289582455	1		
23	0783 830 2000	Sealant, Dirko HT red	1		

Rewind starter

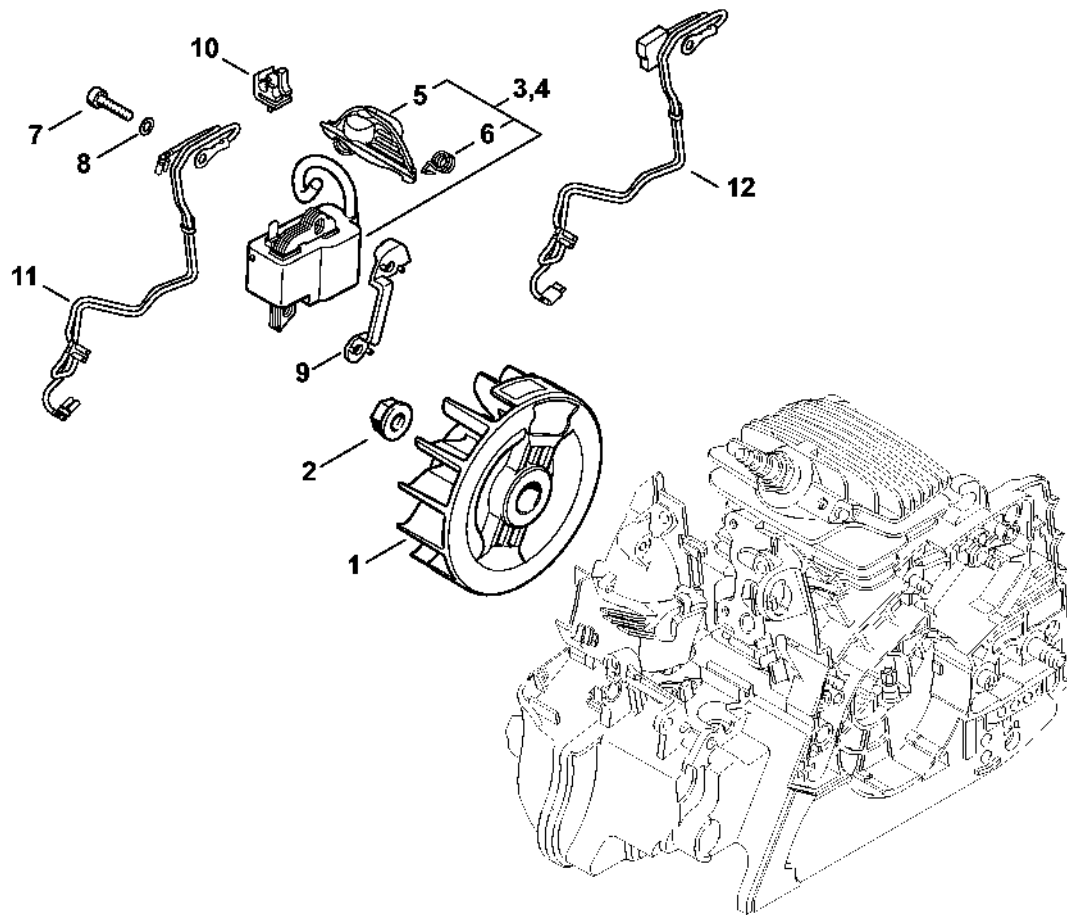


1139-GET-0058-A0

Rewind starter

#	Part Number	Description	Quantity	Contains Item(s)	Remarks
1	1139 080 2102	Fan housing with rewind starter	1	2 - 12	
2	1139 080 1802	Fan housing	1	3	
3	1110 084 9102	Bushing	1		
4	1129 190 0601	Rewind spring	1		
5	1123 195 0400	Rope rotor	1		
6	1125 195 7200	Pawl	1		
7	0000 958 0923	Washer	1		
8	1118 195 3500	Spring	1		
9	1121 195 3400	Starter grip	1		
10	0000 195 8203	Starter rope Ø 3x850 mm	1		
11	1139 084 7802	Segment	1		
12	1139 967 1500	Model plate MS 171	1		
13	9074 477 4135	Pan head self-tapping screw IS-P5x20	3		
14	9074 477 4139	Pan head self-tapping screw IS-P5x25	1		
15	0000 190 3402	Starter grip ElastoStart Ø 3 mm	1	16, 17	
16	0000 195 8200	Starter rope Ø 3x800 mm	1		
17	0000 195 7001	Cap	1		
18	1139 007 1001	Cover plate kit	1	19, 20	
19	1139 084 8200	Cover plate	1		
20	9099 021 2770	Self-tapping screw 3.9x13	2		

Ignition system

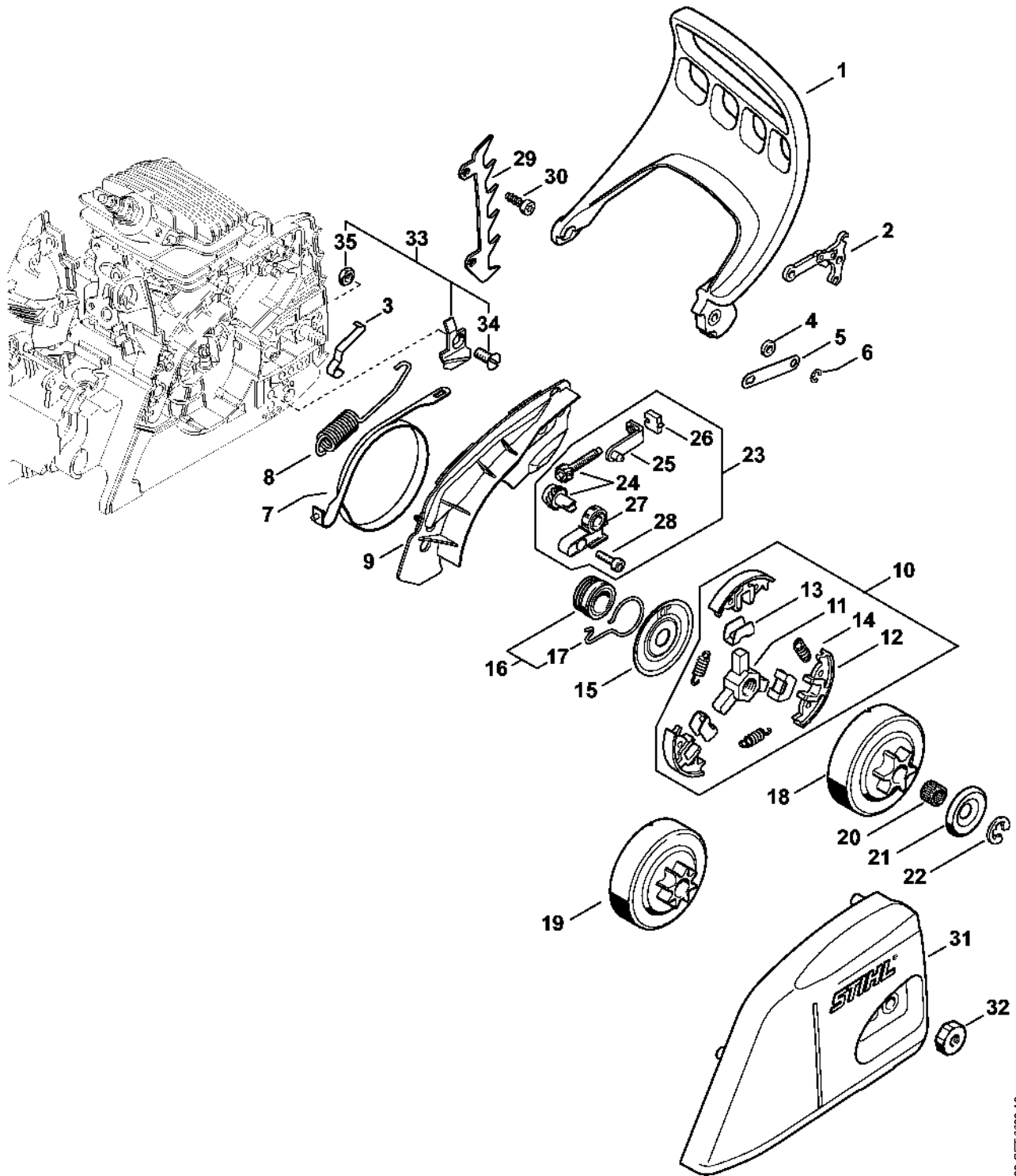


1139-GET-0080-A0

Ignition system

#	Part Number	Description	Quantity	Contains Item(s)	Remarks
1	1139 400 1201	Flywheel	1		
2	0000 955 0802	Collar nut M8x1	1		
3	1139 400 1311	Ignition module Above Serial Number: 297612970	1	5, 6	
4	1139 400 1307	Ignition module Up to Serial Number: 297524838	1	5, 6	
5	0000 405 1003	Spark plug boot	1		
6	0000 998 0618	Torsion spring	1		
7	9075 478 3018	Pan head self-tapping screw IS-D4x18	2		
8	9291 021 0100	Washer 4.3	1		
9	1139 405 8000	Insulator	1		
10	1139 448 1200	Lead retainer	1		
11	1139 440 3001	Wiring harness Above Serial Number: 297612970	1		
12	1139 440 3000	Wiring harness Up to Serial Number: 297524838	1		

Hand guard, Chain brake



1139-GET-0062-A0

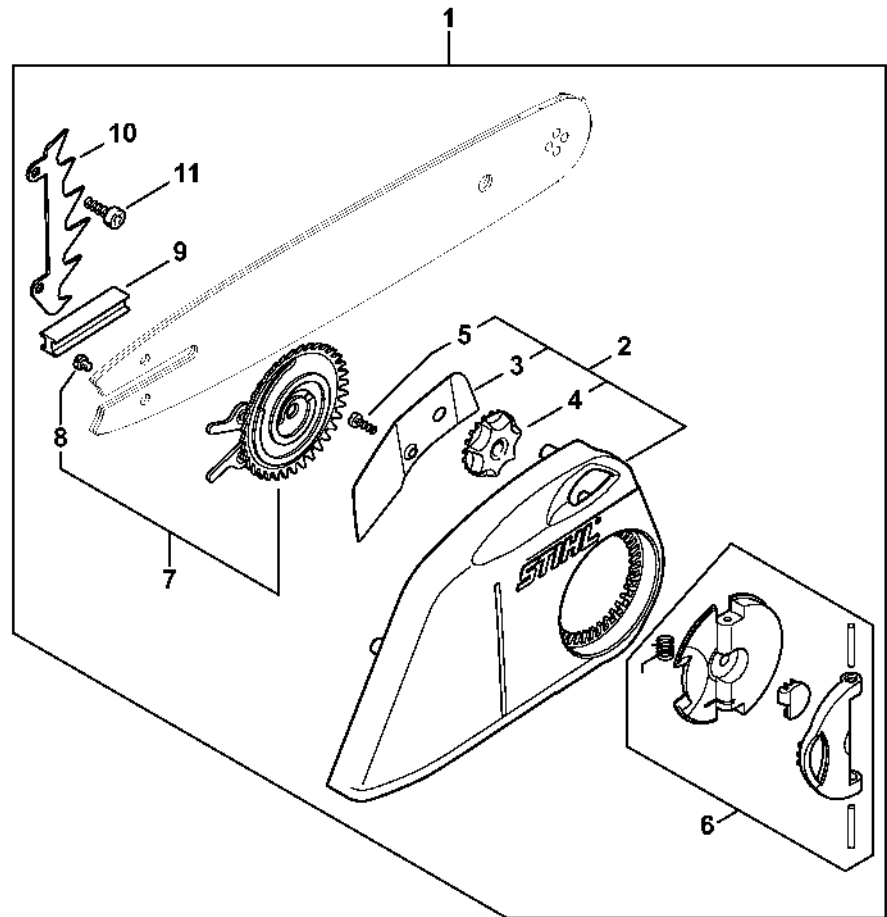
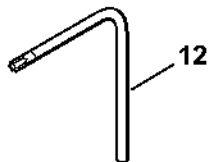
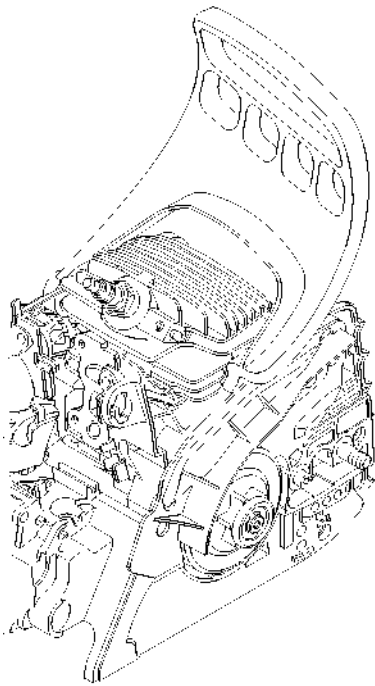
Hand guard, Chain brake

#	Part Number	Description	Quantity	Contains Item(s)	Remarks
1	1139 792 9100	Hand guard	1		
2	1121 160 5000	Lever	1		
3	1123 162 7800	Flat spring	1		
4	0000 958 0521	Washer	1		
5	1123 162 5800	Strap	1		
6	9460 624 0400	E-clip 4	1		
7	1139 160 5400	Brake band	1		
8	1139 162 7900	Tension spring	1		
9	1139 021 1100	Cover	1		
10	1139 160 2000	Clutch	1	11 - 14	
11	1121 162 3201	Carrier	1		
12	1139 162 0800	Clutch shoe	3		
13	1127 162 3000	Retainer	3		
14	0000 997 5600	Tension spring	3		
15	1121 162 1001	Cover washer	1		
16	1123 640 7102	Worm gear	1	17	
17	1123 647 2400	Spring	1		
18	1123 640 2073	Chain sprocket 3/8" Picco 6T	1		
19	1123 640 2007	Chain sprocket 1/4" 8T	1		
20	9512 933 2260	Needle cage 10x13x10	1		
21	0000 958 1022	Washer Ø 27 mm	1		
22	9460 624 0801	E-clip 8x1,3	1		
23	1123 007 1000	Chain tensioner kit	1	24 - 28	
24	1123 007 1004	Spur gear / chain adjusting screw kit	1		
25	1123 640 1900	Tensioner slide	1		
26	1123 664 1400	Thrust pad	1		
27	1123 664 2200	Cover	1		

Hand guard, Chain brake

#	Part Number	Description	Quantity	Contains Item(s)	Remarks
28	9075 478 3015	Pan head self-tapping screw IS-D4x15	1		
29	1123 664 0500	Bumper spike	1		
30	9075 478 4115	Pan head self-tapping screw IS-D5x16	2		
31	1139 640 1700	Chain sprocket cover	1		
32	0000 955 0801	Hexagon nut M8	1		
33	1139 650 7700	Chain catcher	1	34, 35	
34	9062 319 1270	Countersunk screw M6x14	1		
35	9214 320 0900	Lock nut M6	1		

Quick chain tensioner

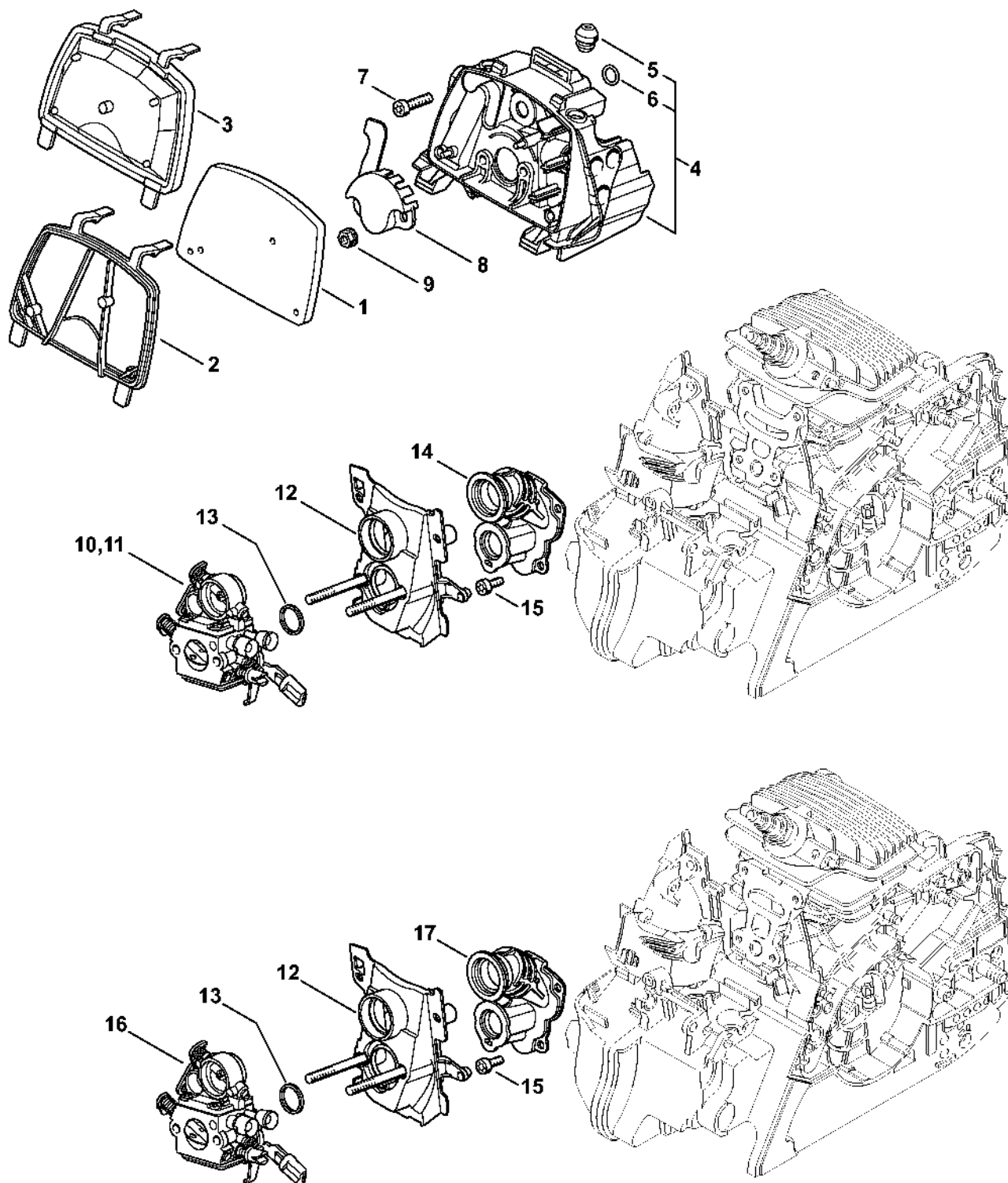


1130-GET-0005-A0

Quick chain tensioner

#	Part Number	Description	Quantity	Contains Item(s)	Remarks
1	1139 007 1000	Quick tensioner parts	1	2 - 11	
2	1139 640 1701	Chain sprocket cover	1	3 - 5	
3	1139 648 3800	Cover plate	1		
4	1123 648 2202	Adjusting wheel	1		
5	9076 478 2996	Pan head self-tapping screw P4x12	1		
6	1121 660 1000	Wing nut	1		
7	1123 660 3001	Tensioning gear	1	8	
8	9041 319 0600	Pan head screw M4x5	1		
9	1123 021 2800	Insert	1		
10	1123 664 0501	Bumper spike	1		
11	9075 478 4115	Pan head self-tapping screw IS-D5x16	2		
12	0812 370 1000	Screwdriver T27x120x70	1		

Air filter, Manifold

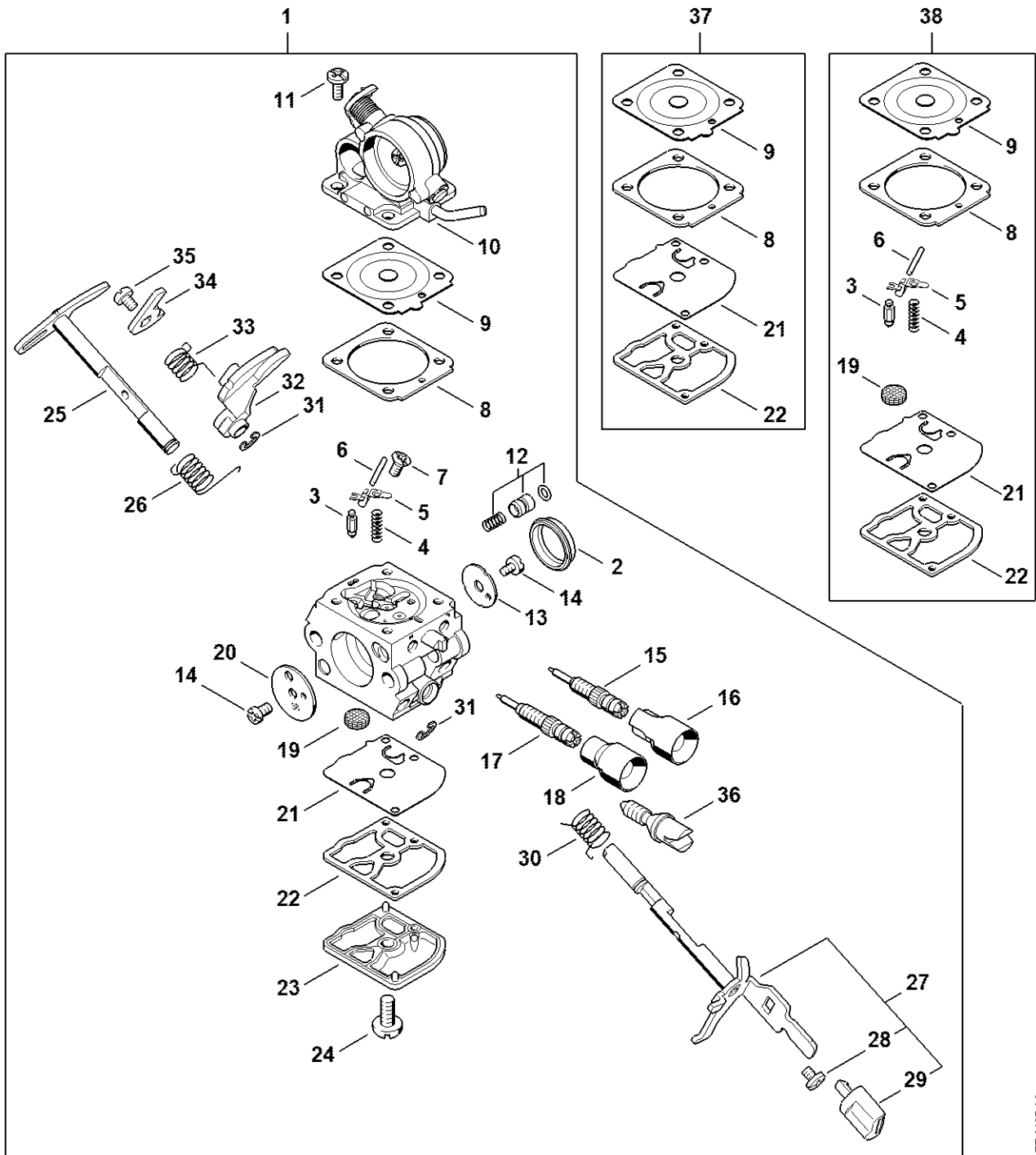


1139-GET-0067-A0

Air filter, Manifold

#	Part Number	Description	Quantity	Contains Item(s)	Remarks
1	1139 124 0800	Filter plate	1		
2	1139 124 0500	Filter frame	1		
3	1139 120 1602	Air filter, fleece	1		
4	1139 120 3401	Filter base	1	5, 6	
5	1139 791 5900	Stop buffer	2		
6	9646 945 0610	O-ring 8x1.6	1		
7	9074 477 4135	Pan head self-tapping screw IS-P5x20	3		
8	1139 121 6901	Baffle	1		
9	9216 261 0700	Hexagon nut M5	2		
10	1139 120 0630	Carburetor 1139/30	1		
11	1139 120 0610	Carburetor C1Q-S217B Up to Serial Number: 295514443	1		
12	1139 120 0900	Carburetor bracket	1		
13	1139 141 1801	Sleeve Up to Serial Number: 295514443	1		
14	1139 140 2502	Manifold Above Serial Number: 286384907	1		
15	9075 478 3012	Pan head self-tapping screw IS-D4x12	4		
16	1139 120 0607	Carburetor C1Q-S123D Up to Serial Number: 289582455	1		
17	1139 140 2500	Manifold Up to Serial Number: 289582455	1		

Carburetor 1139/30



1139-GET-0105-A0

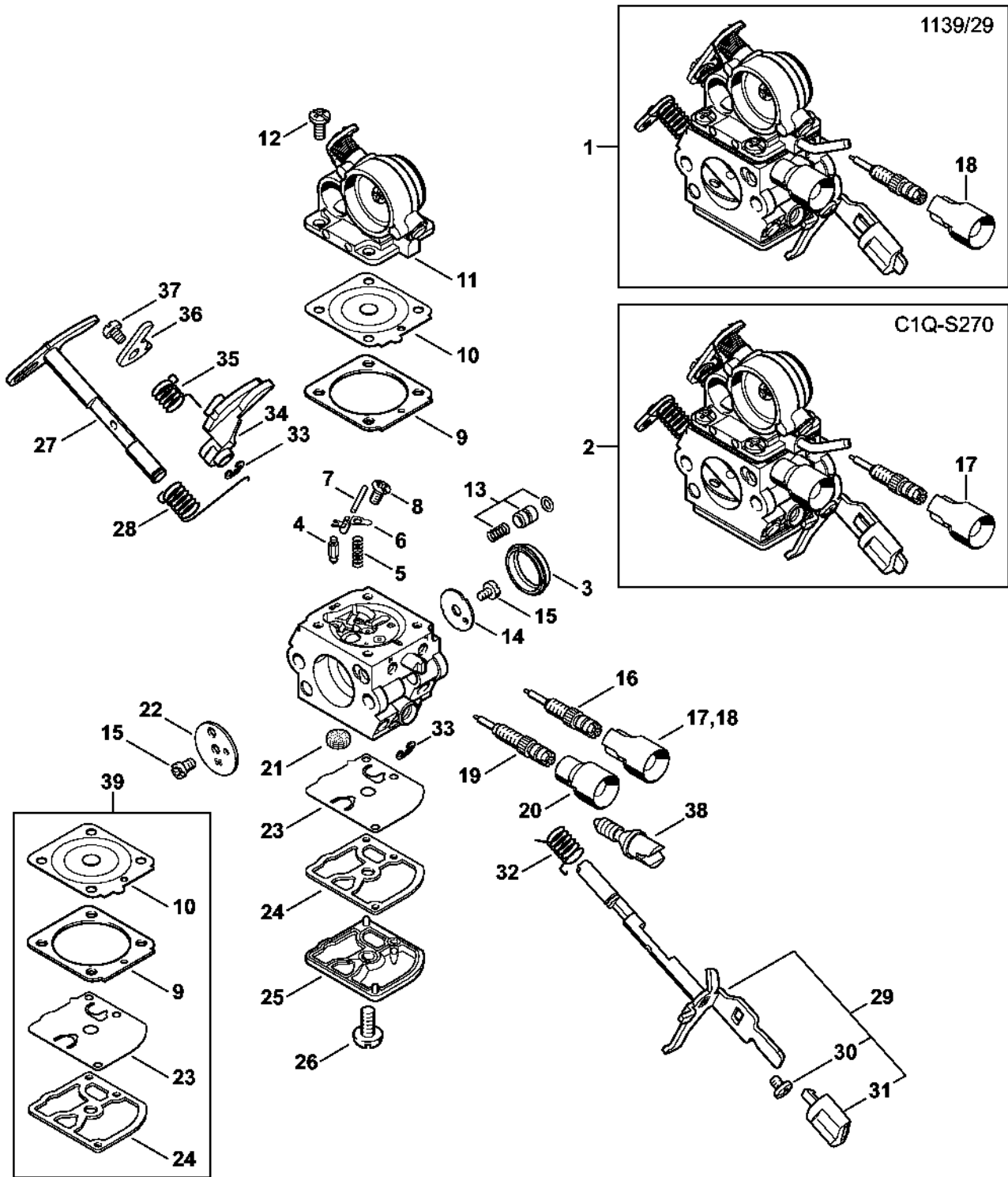
Carburetor 1139/30

#	Part Number	Description	Quantity	Contains Item(s)	Remarks
1	1139 120 0630	Carburetor 1139/30	1	2 - 36	
2	1139 141 1802	Sleeve	1		
3	Z000 018 Z000	Inlet needle	1		
4	4128 122 3000	Spring	1		
5	1125 121 5000	Inlet control lever	1		
6	1120 121 9200	Spindle	1		
7	1120 122 6600	Collar screw	1		
8	4229 129 0901	Metering gasket	1		
9	4229 121 4700	Metering diaphragm	1		
10	1139 120 0800	End cover	1		
11	1120 122 6601	Collar screw	4		
12	1139 120 9702	Pump piston kit	1		
13	1139 121 3302	Throttle shutter	1		
14	1125 122 7403	Round head screw	2		
15	1139 122 6805	Low speed screw	1		
16	0000 121 2703	Cap	1		
17	4244 122 6700	High speed screw	1		
18	4229 121 2701	Cap	1		
19	1123 121 7800	Strainer	1		
20	1123 121 2904	Choke shutter	1		
21	1129 121 4800	Pump diaphragm	1		
22	1123 129 0905	Pump gasket	1		
23	1139 121 0800	End cover	1		
24	1120 122 7800	Oval head screw	1		
25	1139 120 7202	Choke shaft with lever	1		
26	Z000 013 Z041	Return spring	1		
27	1139 120 7100	Throttle shaft with lever	1	28, 29	

Carburetor 1139/30

#	Part Number	Description	Quantity	Contains Item(s)	Remarks
28	1139 122 7101	Screw	1		
29	1139 121 2700	Cap	1		
30	1139 122 3201	Torsion spring	1		
31	4282 122 9000	E-clip	21		
32	Z010 012 Z007	Throttle lever	1		
33	1139 122 3203	Torsion spring	1		
34	1139 121 3502	Throttle lever	1		
35	9079 319 0280	Flat head screw M3x3.5	1		
36	1139 122 6200	Idle speed screw	1		
37	Z010 003 K018	Gasket & diaphragm kit	1	8, 9, 21, 22	
38	Z000 001 K088	Carburetor Repair Kit RB-150	1	3 - 6, 8, 9, 19, 21, 22	

Carburetor 1139/29; C1Q-S270



1139-GET-0069-A0

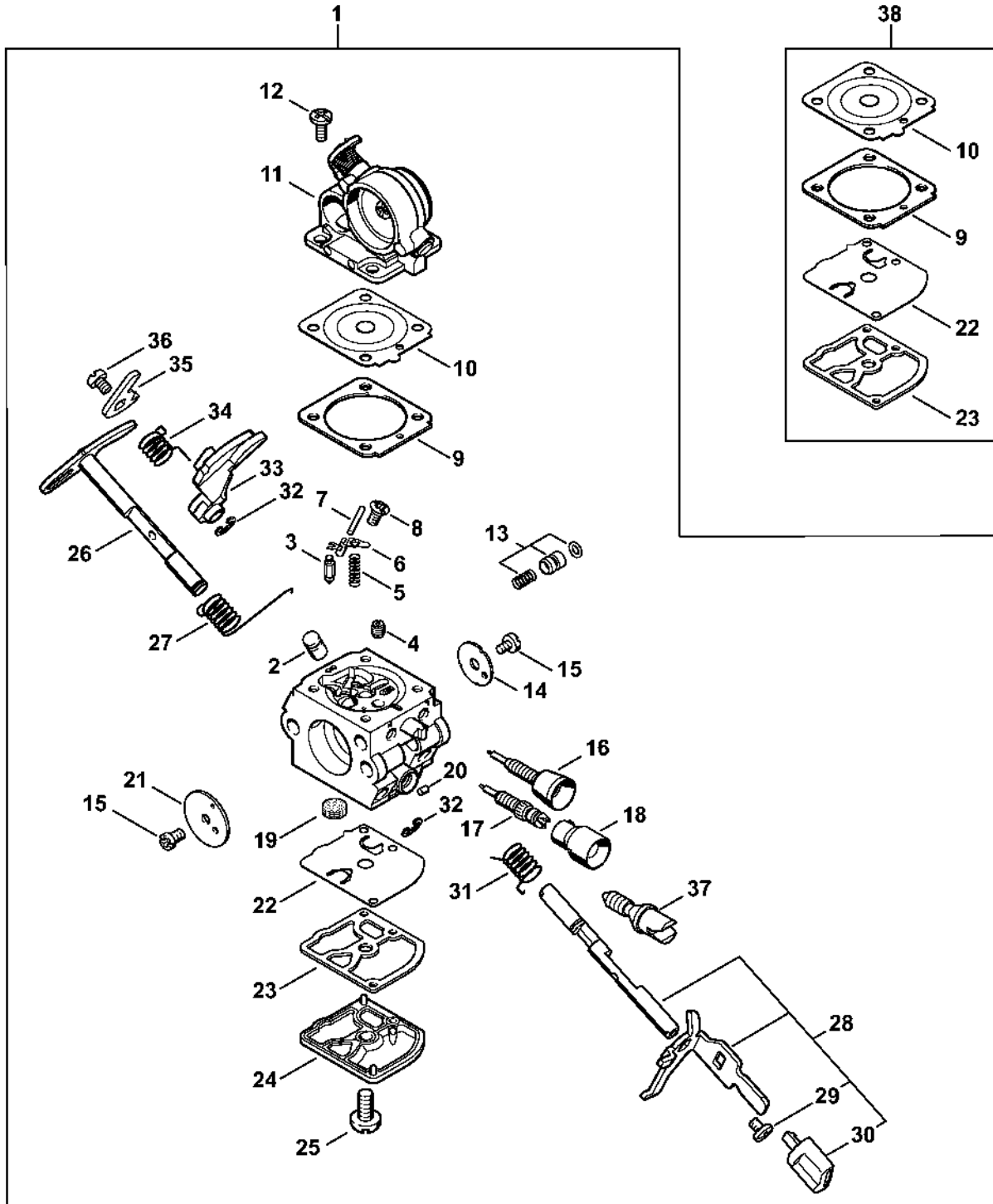
Carburetor 1139/29; C1Q-S270

#	Part Number	Description	Quantity	Contains Item(s)	Remarks
1	1139 120 0629	Carburetor 1139/29	1	3 - 16, 18 - 38	
2	1139 120 0619	Carburetor C1Q-S270C	1	3 - 17, 19 - 38	
3	1139 141 1802	Sleeve	1		
4	Z000 018 Z000	Inlet needle	1		
5	4128 122 3000	Spring	1		
6	1125 121 5000	Inlet control lever	1		
7	1120 121 9200	Spindle	1		
8	1120 122 6600	Collar screw	1		
9	4229 129 0901	Metering gasket	1		
10	4229 121 4700	Metering diaphragm	1		
11	1139 120 0800	End cover	1		
12	1120 122 6601	Collar screw	4		
13	1139 120 9702	Pump piston kit	1		
14	1139 121 3302	Throttle shutter	1		
15	1125 122 7403	Round head screw	2		
16	1139 122 6805	Low speed screw	1		
17	0000 121 2703	Cap	1		
18	0000 121 2708	Cap	1		
19	4244 122 6700	High speed screw	1		
20	4229 121 2701	Cap	1		
21	1123 121 7800	Strainer	1		
22	1123 121 2904	Choke shutter	1		
23	1129 121 4800	Pump diaphragm	1		
24	1123 129 0905	Pump gasket	1		
25	1139 121 0800	End cover	1		
26	1120 122 7800	Oval head screw	1		
27	1139 120 7202	Choke shaft with lever	1		

Carburetor 1139/29; C1Q-S270

#	Part Number	Description	Quantity	Contains Item(s)	Remarks
28	1139 122 3202	Torsion spring	1		
29	1139 120 7100	Throttle shaft with lever	1	30, 31	
30	1139 122 7101	Screw	1		
31	1139 121 2700	Cap	1		
32	1139 122 3201	Torsion spring	1		
33	4282 122 9000	E-clip	2		
34	Z010 012 Z007	Throttle lever	1		
35	1139 122 3203	Torsion spring	1		
36	1139 121 3502	Throttle lever	1		
37	9079 319 0280	Flat head screw M3x3.5	1		
38	1139 122 6200	Idle speed screw	1		
39	4229 007 1060	Kit	1	9, 10, 23, 24	

Carburetor C1Q-S217



1139-GET-0070-A0

Carburetor C1Q-S217

#	Part Number	Description	Quantity	Contains Item(s)	Remarks
1	1139 120 0610	Carburetor C1Q-S217B Up to Serial Number: 295514443	1	2 - 37	
2	1139 121 5400	Valve jet Up to Serial Number: 295856561	1		
3	Z000 018 Z000	Inlet needle Up to Serial Number: 514541988	1		
4	1130 121 5601	Fixed jet 0.44 Up to Serial Number: 295514443	1		
5	4128 122 3000	Spring Up to Serial Number: 514541988	1		
6	1125 121 5000	Inlet control lever Up to Serial Number: 514541988	1		
7	1120 121 9200	Spindle Up to Serial Number: 514541988	1		
8	1120 122 6600	Collar screw Up to Serial Number: 514541988	1		
9	4229 129 0901	Metering gasket Up to Serial Number: 514541988	1		
10	4229 121 4700	Metering diaphragm Up to Serial Number: 514541988	1		
11	1139 120 0800	End cover Up to Serial Number: 514541988	1		
12	1120 122 6601	Collar screw Up to Serial Number: 514541988	4		
13	1139 120 9700	Pump piston kit Up to Serial Number: 295856561	1		
14	1139 121 3300	Throttle shutter Up to Serial Number: 295856561	1		
15	1125 122 7403	Round head screw Up to Serial Number: 514541988	2		
16	1123 122 6800	Low speed screw	1		
17	4229 122 6701	High speed screw Up to Serial Number: 295514443	1		

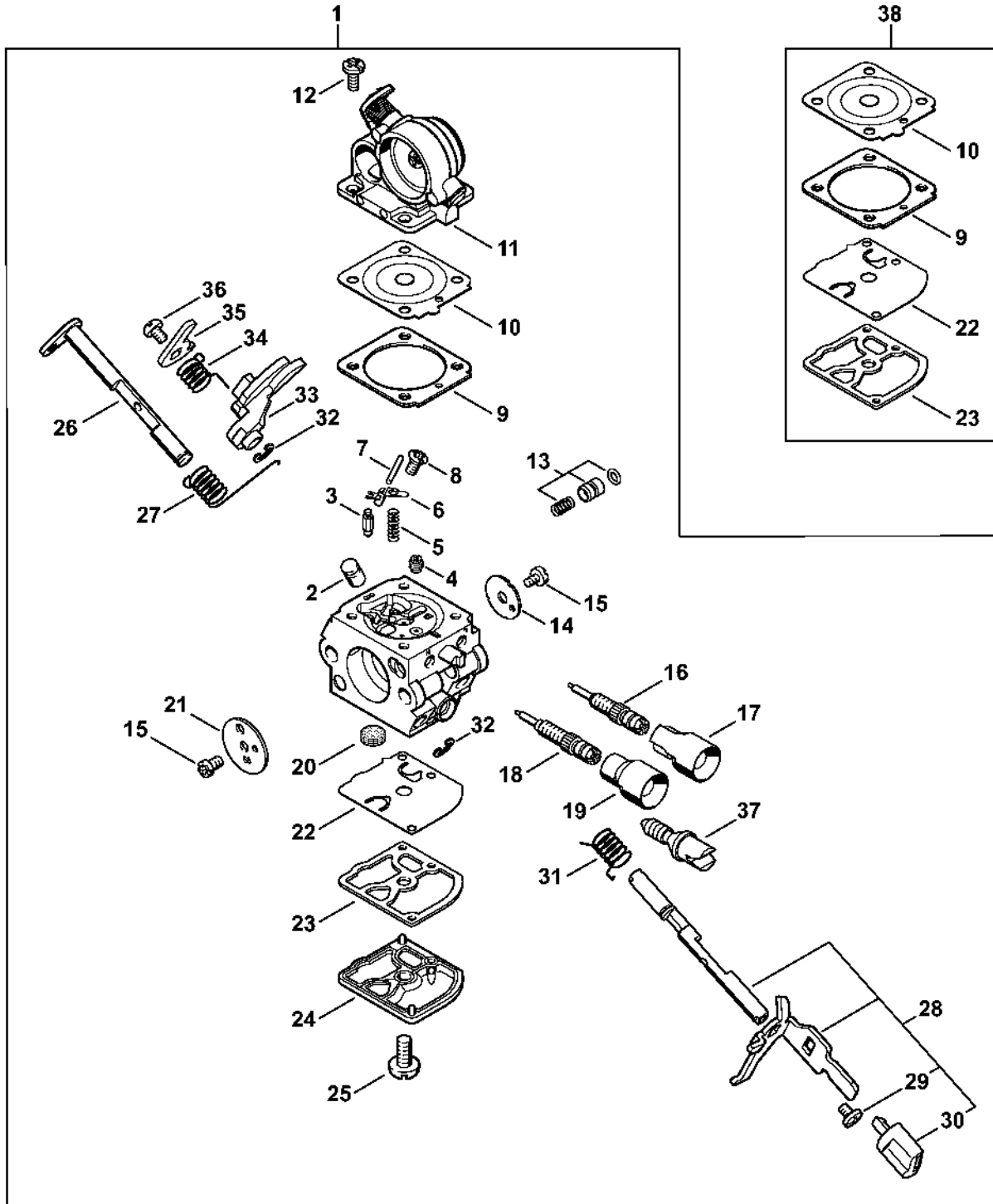
Carburetor C1Q-S217

#	Part Number	Description	Quantity	Contains Item(s)	Remarks
18	4229 121 2701	Cap Up to Serial Number: 514541988	1		
19	1123 121 7800	Strainer Up to Serial Number: 514541988	1		
20	1125 122 4200	Clamp Up to Serial Number: 295856561	1		
21	1123 121 2904	Choke shutter Up to Serial Number: 514541988	1		
22	1129 121 4800	Pump diaphragm Up to Serial Number: 514541988	1		
23	1123 129 0905	Pump gasket Up to Serial Number: 514541988	1		
24	1139 121 0800	End cover Up to Serial Number: 514541988	1		
25	1120 122 7800	Oval head screw Up to Serial Number: 514541988	1		
26	1139 120 7202	Choke shaft with lever Up to Serial Number: 514541988	1		
27	1139 122 3202	Torsion spring Up to Serial Number: 514541988	1		
28	1139 120 7100	Throttle shaft with lever Up to Serial Number: 514541988	1	29, 30	
29	1139 122 7101	Screw Up to Serial Number: 514541988	1		
30	1139 121 2700	Cap Up to Serial Number: 514541988	1		
31	1139 122 3201	Torsion spring Up to Serial Number: 514541988	1		
32	4282 122 9000	E-clip Up to Serial Number: 514541988	2		
33	Z010 012 Z007	Throttle lever Up to Serial Number: 514541988	1		
34	1139 122 3203	Torsion spring	1		

Carburetor C1Q-S217

#	Part Number	Description	Quantity	Contains Item(s)	Remarks
		Up to Serial Number: 514541988			
35	1139 121 3502	Throttle lever Up to Serial Number: 514541988	1		
36	9079 319 0280	Flat head screw M3x3.5 Up to Serial Number: 514541988	1		
37	1139 122 6200	Idle speed screw Up to Serial Number: 514541988	1		
38	4229 007 1060	Kit Up to Serial Number: 514541988	1	9, 10, 22, 23	

Carburetor C1Q-S123



1139-GET-0072-A0

Carburetor C1Q-S123

#	Part Number	Description	Quantity	Contains Item(s)	Remarks
1	1139 120 0607	Carburetor C1Q-S123D Up to Serial Number: 289582455	1	2 - 37	
2	1139 121 5400	Valve jet Up to Serial Number: 295856561	1		
3	Z000 018 Z000	Inlet needle Up to Serial Number: 514541988	1		
4	1123 121 5602	Fixed jet 0.46 Up to Serial Number: 295856561	1		
5	4128 122 3000	Spring Up to Serial Number: 514541988	1		
6	1125 121 5000	Inlet control lever Up to Serial Number: 514541988	1		
7	1120 121 9200	Spindle Up to Serial Number: 514541988	1		
8	1120 122 6600	Collar screw Up to Serial Number: 514541988	1		
9	4229 129 0901	Metering gasket Up to Serial Number: 514541988	1		
10	4229 121 4700	Metering diaphragm Up to Serial Number: 514541988	1		
11	1139 120 0800	End cover Up to Serial Number: 514541988	1		
12	1120 122 6601	Collar screw Up to Serial Number: 514541988	4		
13	1139 120 9700	Pump piston kit Up to Serial Number: 295856561	1		
14	1139 121 3300	Throttle shutter Up to Serial Number: 295856561	1		
15	1125 122 7403	Round head screw Up to Serial Number: 514541988	2		
16	1139 122 6800	Low speed screw Up to Serial Number: 295514443	1		
17	4229 122 6701	High speed screw	1		

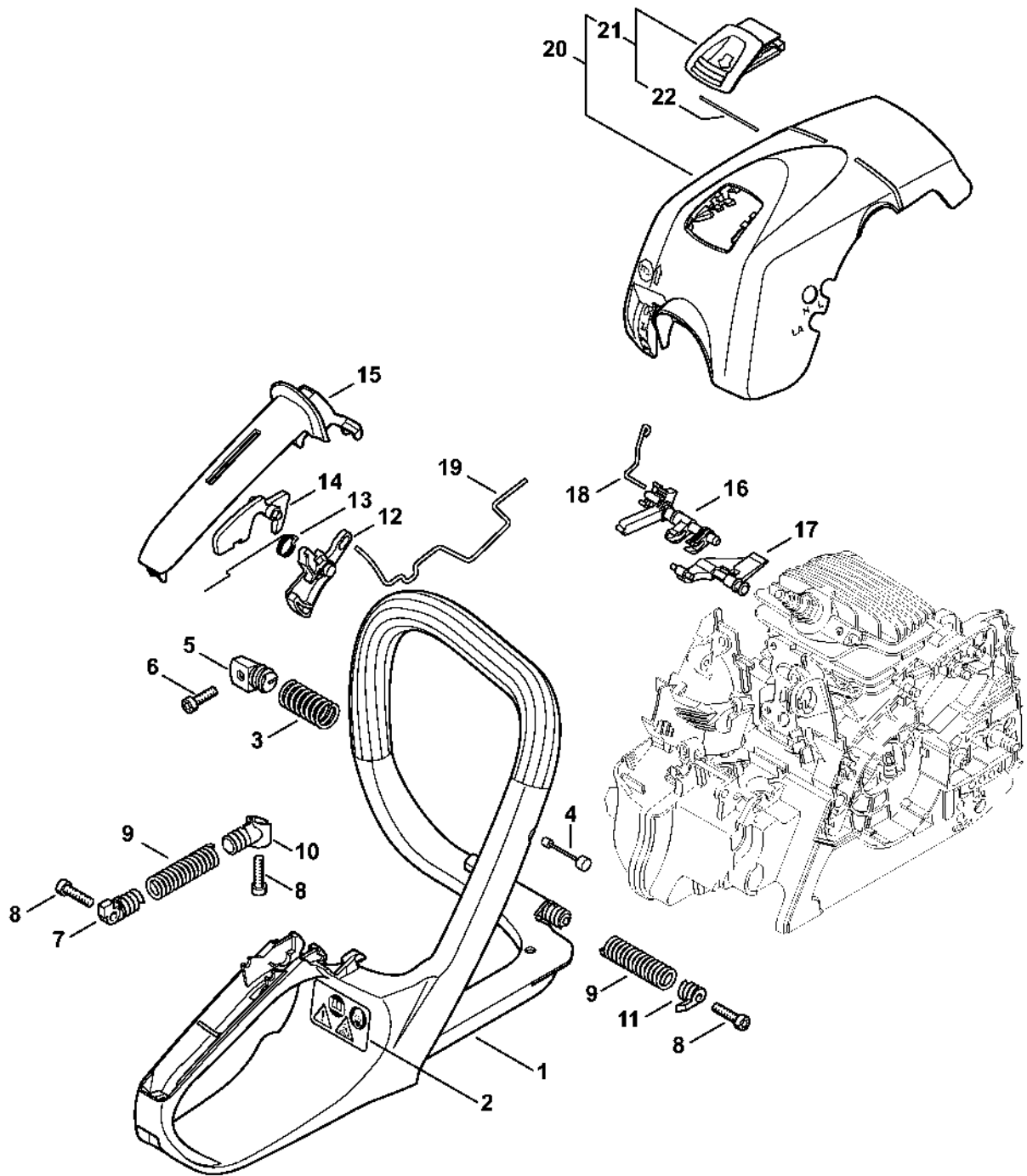
Carburetor C1Q-S123

#	Part Number	Description	Quantity	Contains Item(s)	Remarks
		Up to Serial Number: 295514443			
18	4229 121 2701	Cap Up to Serial Number: 514541988	1		
19	1123 121 7800	Strainer Up to Serial Number: 514541988	1		
20	1125 122 4200	Clamp Up to Serial Number: 295856561	1		
21	1123 121 2904	Choke shutter Up to Serial Number: 514541988	1		
22	1129 121 4800	Pump diaphragm Up to Serial Number: 514541988	1		
23	1123 129 0905	Pump gasket Up to Serial Number: 514541988	1		
24	1139 121 0800	End cover Up to Serial Number: 514541988	1		
25	1120 122 7800	Oval head screw Up to Serial Number: 514541988	1		
26	1139 120 7200	Choke shaft with lever Up to Serial Number: 295856561	1		
27	1139 122 3202	Torsion spring Up to Serial Number: 514541988	1		
28	1139 120 7100	Throttle shaft with lever Up to Serial Number: 514541988	1	29, 30	
29	1139 122 7101	Screw Up to Serial Number: 514541988	1		
30	1139 121 2700	Cap Up to Serial Number: 514541988	1		
31	1139 122 3201	Torsion spring Up to Serial Number: 514541988	1		
32	4282 122 9000	E-clip Up to Serial Number: 514541988	2		
33	1139 121 3501	Throttle lever Up to Serial Number: 295856561	1		

Carburetor C1Q-S123

#	Part Number	Description	Quantity	Contains Item(s)	Remarks
34	1139 122 3203	Torsion spring Up to Serial Number: 514541988	1		
35	1139 121 3502	Throttle lever Up to Serial Number: 514541988	1		
36	9079 319 0280	Flat head screw M3x3.5 Up to Serial Number: 514541988	1		
37	1139 122 6200	Idle speed screw Up to Serial Number: 514541988	1		
38	4229 007 1060	Kit Up to Serial Number: 514541988	1	9, 10, 22, 23	

Handle frame, Shroud

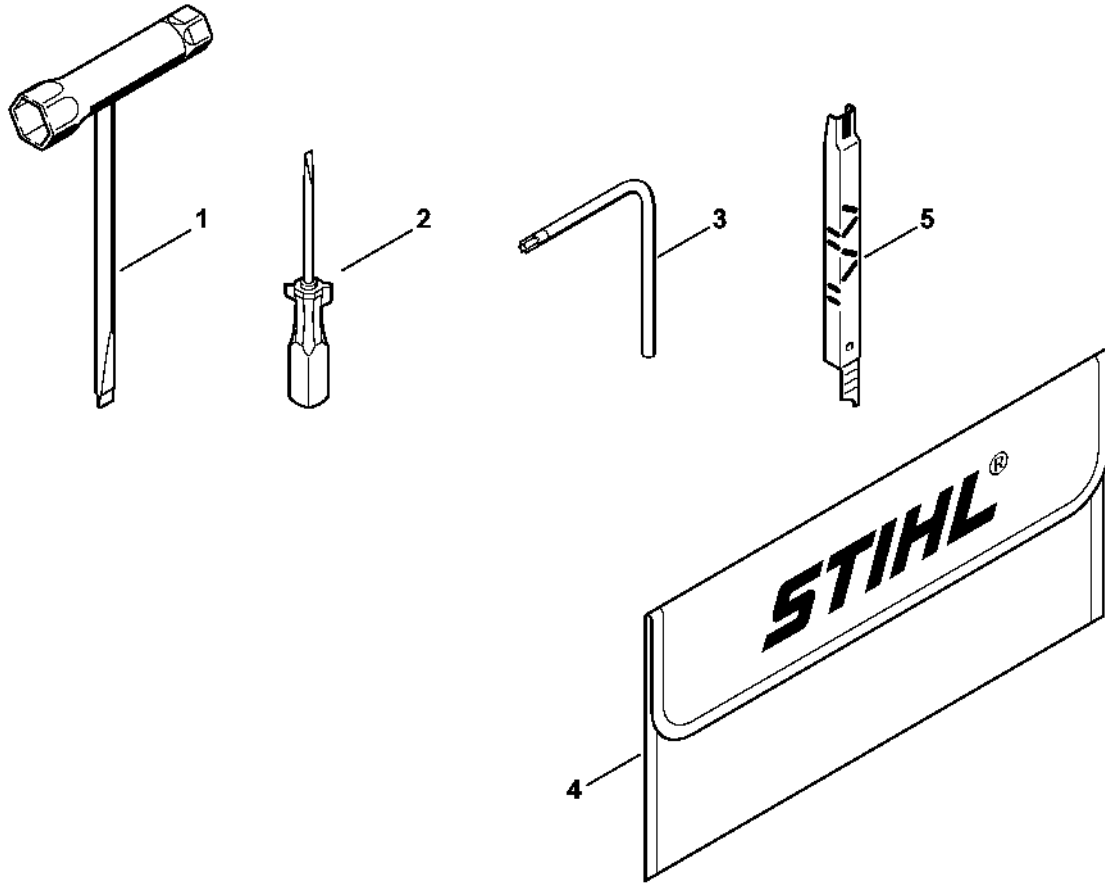


1139-GET-0073_A0

Handle frame, Shroud

#	Part Number	Description	Quantity	Contains Item(s)	Remarks
1	1139 791 4903	Handle frame	1		
2	0000 967 7247	Warning pictogram MS	1		
3	0000 791 3104	Spring	1		
4	1139 790 8100	Retainer Up to Serial Number: 295514443	1		
5	1139 792 2901	AV mount	1		
6	9075 478 4085	Pan head self-tapping screw IS-D5x18	1		
7	1139 792 2902	AV mount	1		
8	9074 477 4135	Pan head self-tapping screw IS-P5x20	3		
9	0000 791 3103	Spring	2		
10	1139 792 2903	AV mount	1		
11	1139 792 2900	AV mount	1		
12	1139 182 1000	Throttle trigger	1		
13	1117 182 4500	Torsion spring	1		
14	1139 182 0800	Lockout lever	1		
15	1139 791 0600	Handle molding	1		
16	1139 182 0900	Switch shaft	1		
17	1139 182 2800	Lever	1		
18	1139 185 1901	Choke rod	1		
19	1139 182 1500	Throttle rod	1		
20	1139 140 4702	Shroud	1	21, 22	
21	1139 140 3100	Slide	1	22	
22	0000 141 4900	Spring	1		

Tools, Extras

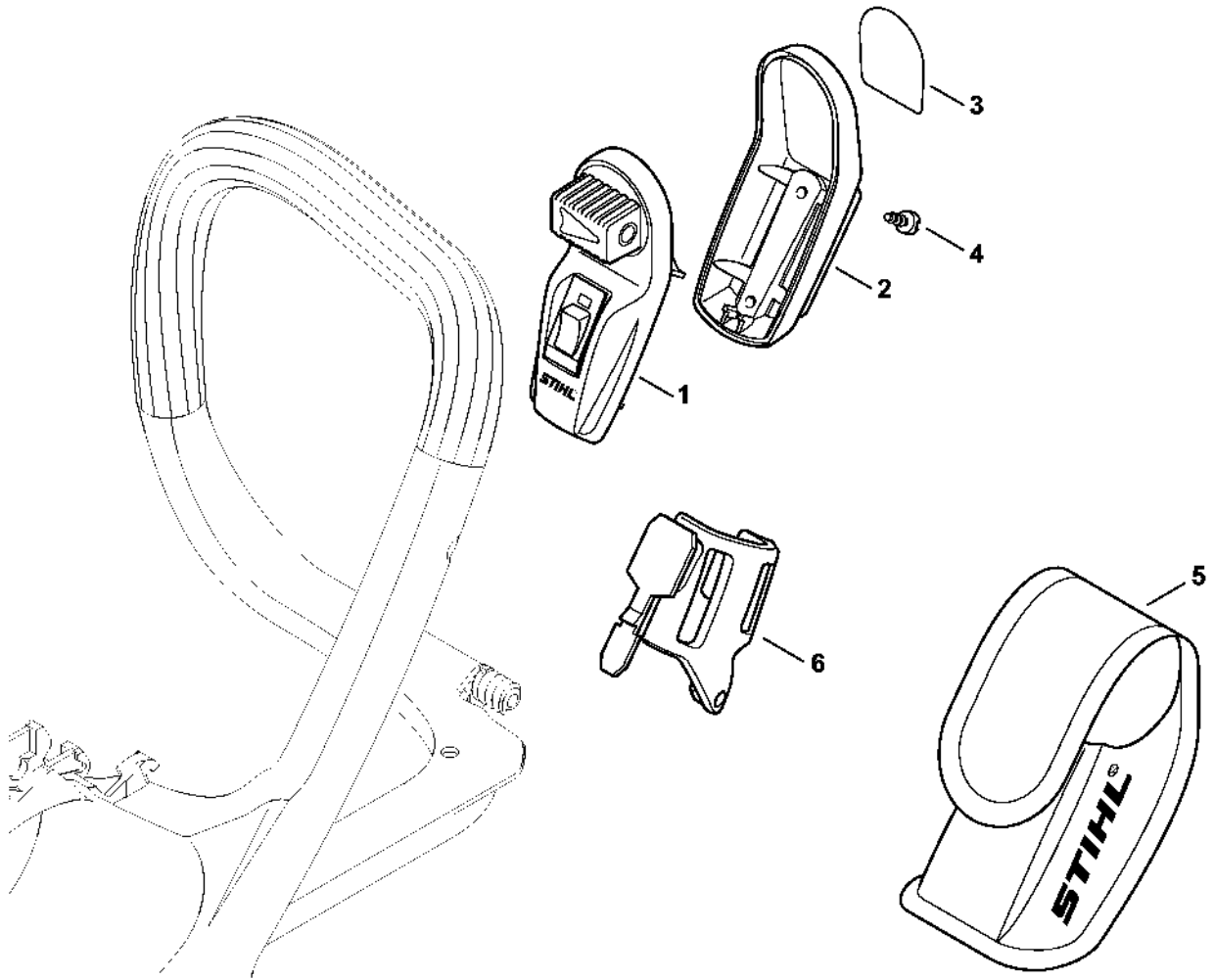


1139-GET-0076-A0

Tools, Extras

#	Part Number	Description	Quantity	Contains Item(s)	Remarks
1	0000 890 3400	Combination wrench	1		
2	0000 890 2300	Screwdriver	1		
3	0812 370 1000	Screwdriver T27x120x70	1		
4	0000 891 0810	Tool roll	1		
5	1110 893 4000	Filing gauge	1		

2-in-1 laser

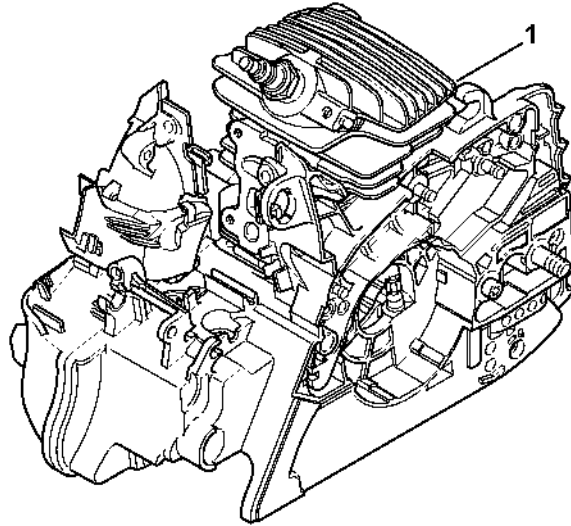


1139-GET-0077-A0

2-in-1 laser

#	Part Number	Description	Quantity	Contains Item(s)	Remarks
1	0000 400 0200	Laser	1	2 - 5	
2	0000 430 9900	Handle molding, bottom	1	3	
3	0000 967 7307	Warning pictogram	1		
4	9074 478 2967	Pan head self-tapping screw IS-P4x10	2		
5	0000 491 0100	Bag	1		
6	1139 791 5400	Support	1		

Serial number

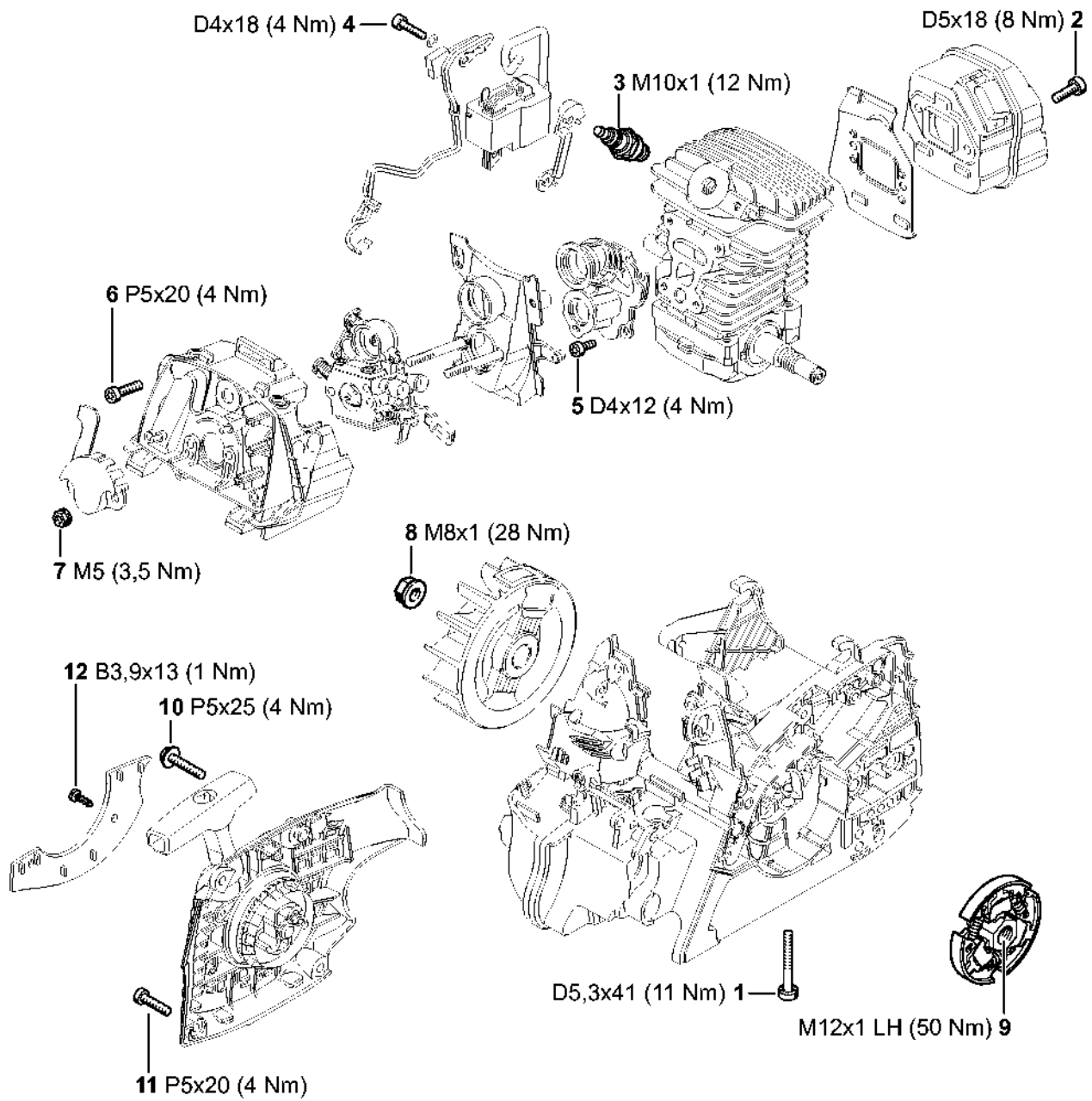


1139-SET-0078-40

Serial number

#	Part Number	Description	Quantity	Contains Item(s)	Remarks
1		Position of serial number	1		

Tightening torques

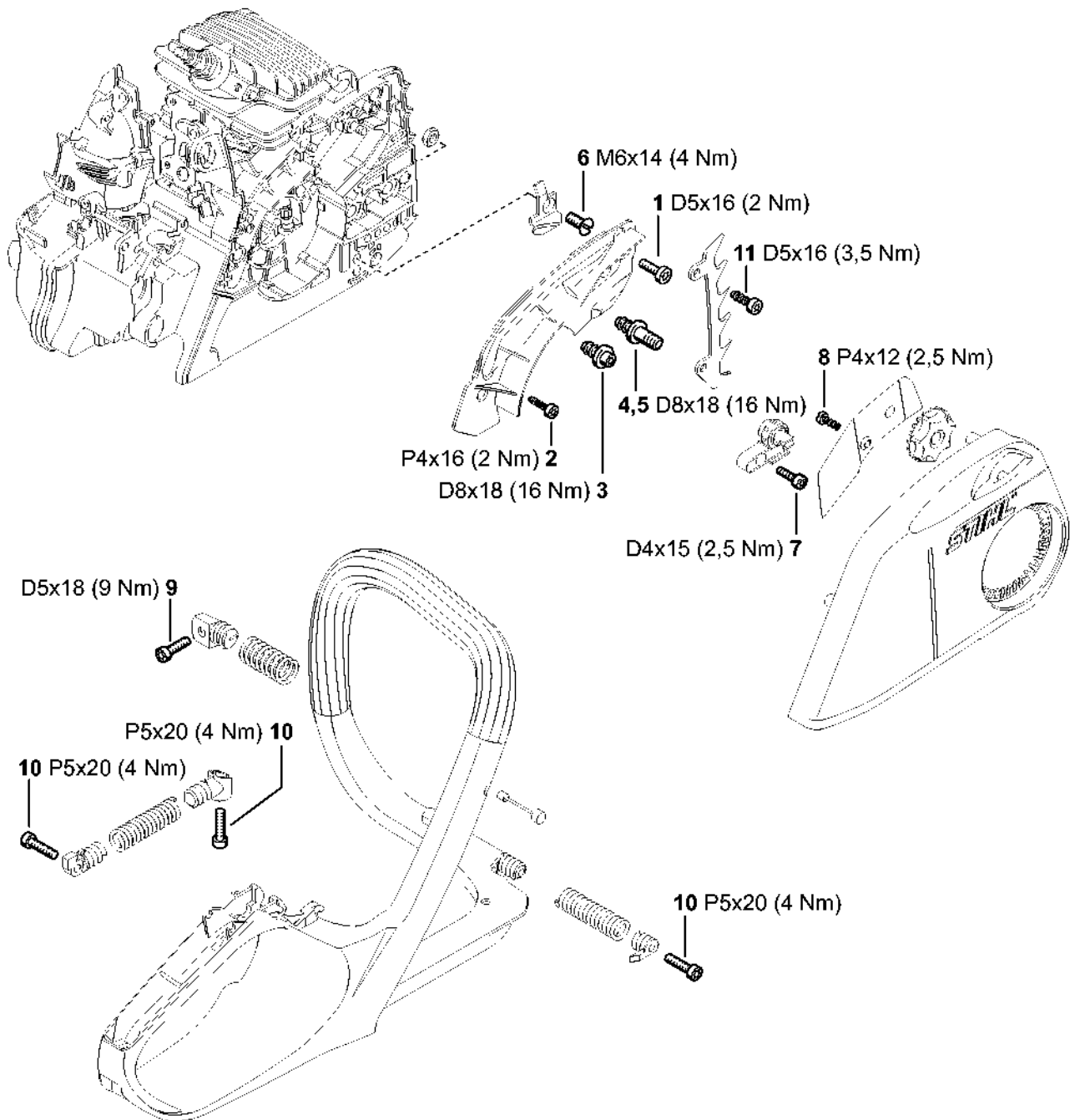


1139-GET-0079-A0

Tightening torques

#	Part Number	Description	Quantity	Contains Item(s)	Remarks
1	9075 478 4195	Pan head self-tapping screw IS-D5.3x41	4		Binding thread
2	9075 478 4085	Pan head self-tapping screw IS-D5x18	2		Binding thread
3	0000 400 7011	Spark plug NGK CMR6H	1		
4	9075 478 3018	Pan head self-tapping screw IS-D4x18	2		Binding thread
5	9075 478 3012	Pan head self-tapping screw IS-D4x12	4		Binding thread
6	9074 477 4135	Pan head self-tapping screw IS-P5x20	3		
7	9216 261 0700	Hexagon nut M5	2		
8	0000 955 0802	Collar nut M8x1	1		
9	1139 160 2000	Clutch	1		
10	9074 477 4139	Pan head self-tapping screw IS-P5x25	1		
11	9074 477 4135	Pan head self-tapping screw IS-P5x20	3		
12	9099 021 2770	Self-tapping screw 3.9x13	2		

Tightening torques

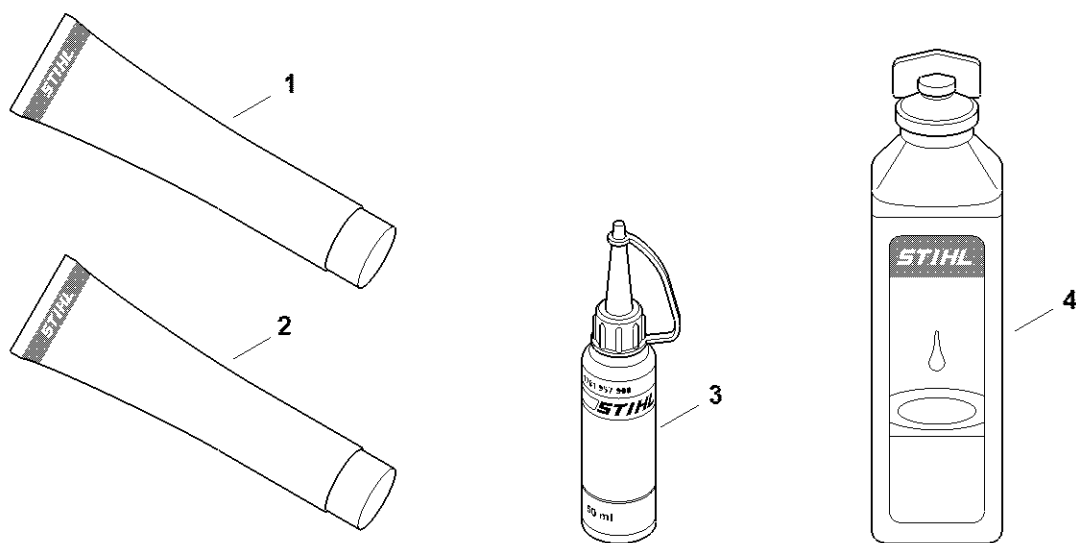


1139-GET-0180-A0

Tightening torques

#	Part Number	Description	Quantity	Contains Item(s)	Remarks
1	9075 478 4115	Pan head self-tapping screw IS-D5x16	1		
2	9074 478 3025	Pan head screw IS P4x16	1		
3	1123 664 2402	Collar screw	1		
4	1123 664 2400	Collar screw	1		
5	1123 664 2405	Collar screw D9/M8	1		
6	9062 319 1270	Countersunk screw M6x14	1		
7	9075 478 3015	Pan head self-tapping screw IS-D4x15	1		
8	9076 478 2996	Pan head self-tapping screw P4x12	1		
9	9075 478 4085	Pan head self-tapping screw IS-D5x18	1		Binding thread
10	9074 477 4135	Pan head self-tapping screw IS-P5x20	3		
11	9075 478 4115	Pan head self-tapping screw IS-D5x16	2		

Miscellaneous lubricants and greases

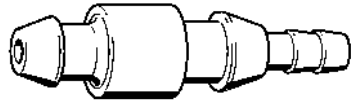


0000-GET-0189-A0

Miscellaneous lubricants and greases

#	Part Number	Description	Quantity	Contains Item(s)	Remarks
1	0781 120 1021	Multi-purpose grease (tube 40 g)	1		
1	0781 120 1109	Multi-purpose grease (tube 80 g)	1		
1	0781 120 1110	Multipurpose grease 225 g	1		
2	0783 830 2000	Sealant, Dirko HT red	1		
3	0781 957 9000	Press fluid OH 723	1		
4	0781 319 8401	HP 100ml	1		
4	0781 319 8052	HP Super 100ml	1		
4	0781 319 8060	HP Ultra 100ml	1		

Nipple



901SW008 GM

Nipple

#	Part Number	Description	Quantity	Contains Item(s)	Remarks
	0000 855 9200	Nipple	1		

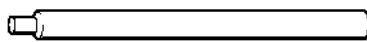
Installing tool



9015W009 GM

Installing tool

#	Part Number	Description	Quantity	Contains Item(s)	Remarks
	0000 890 2201	Installing tool	1		
	9210 319 0900	Hexagon nut M6	1		



901SW036 GM

Assembly drift

#	Part Number	Description	Quantity	Contains Item(s)	Remarks
	1110 893 4700	Assembly drift	1		

Installing sleeve

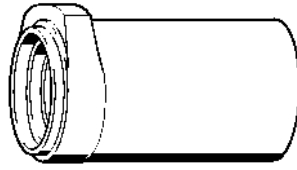


901SW061 GM

Installing sleeve

#	Part Number	Description	Quantity	Contains Item(s)	Remarks
	1118 893 4602	Installing sleeve	1		

Press sleeve

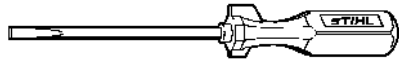


9015W068 GM

Press sleeve

#	Part Number	Description	Quantity	Contains Item(s)	Remarks
	1123 893 2400	Press sleeve	1		

Screwdriver



901SW072 GM

Screwdriver

#	Part Number	Description	Quantity	Contains Item(s)	Remarks
	5910 890 2305	Screwdriver	1		

Socket, S19x12.5L



901SW073 GM

Socket, S19x12.5L

#	Part Number	Description	Quantity	Contains Item(s)	Remarks
	5910 893 5613	Socket, S19x12.5L	1		

Sealing plate

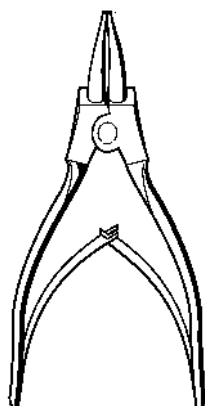


901SW078-GM

Sealing plate

#	Part Number	Description	Quantity	Contains Item(s)	Remarks
	0000 855 8106	Sealing plate	1		

Pliers A19

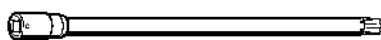


901SW086 GM

Pliers A19

#	Part Number	Description	Quantity	Contains Item(s)	Remarks
	0811 611 8380	Pliers A19	1		

Socket, T27x125

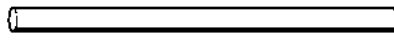


901SW091 GM

Socket, T27x125

#	Part Number	Description	Quantity	Contains Item(s)	Remarks
	0812 542 2104	Driver bit, 1/4" square drive, T27x125	1		

Hose 135 mm / 5 5/16"

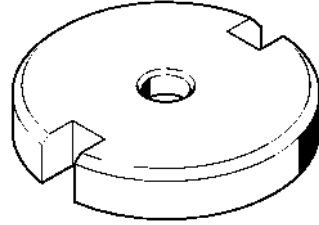


901SW100 GM

Hose 135 mm / 5 5/16"

#	Part Number	Description	Quantity	Contains Item(s)	Remarks
	1110 141 8600	Hose 135 mm / 5 5/16"	1		

Installing tool



901SW11 GM

Installing tool

#	Part Number	Description	Quantity	Contains Item(s)	Remarks
	1116 893 4800	Installing tool	1		

Assembly tube

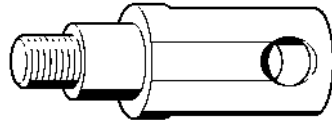


901SW112.GM

Assembly tube

#	Part Number	Description	Quantity	Contains Item(s)	Remarks
	1117 890 0900	Assembly tube	1		

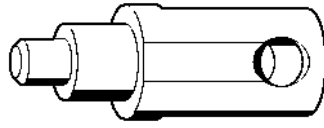
Puller



9015W143 GM

Puller

#	Part Number	Description	Quantity	Contains Item(s)	Remarks
	1130 893 1400	Puller	1		

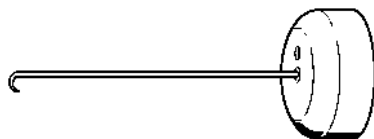


901SW144 GM

Installer

#	Part Number	Description	Quantity	Contains Item(s)	Remarks
	1130 893 1500	Installer	1		

Assembly hook



901SW205 GM

Assembly hook

#	Part Number	Description	Quantity	Contains Item(s)	Remarks
	5910 890 2800	Assembly hook	1		

Stud puller, M8

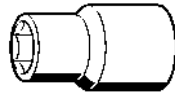


901SW209 GM

Stud puller, M8

#	Part Number	Description	Quantity	Contains Item(s)	Remarks
	5910 893 0501	Stud puller, M8	1		

Socket, 13 mm



901SW217 GM

Socket, 13 mm

#	Part Number	Description	Quantity	Contains Item(s)	Remarks
	5910 893 5608	Socket, 13 mm	1		

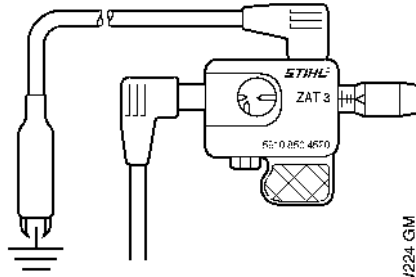
Assembly hook



Assembly hook

#	Part Number	Description	Quantity	Contains Item(s)	Remarks
	5910 893 8800	Assembly hook	1		

Ignition system tester, ZAT 3

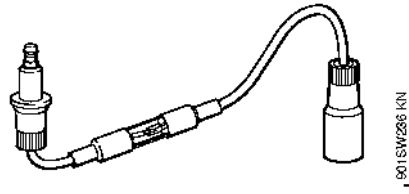


901SW224-GM

Ignition system tester, ZAT 3

#	Part Number	Description	Quantity	Contains Item(s)	Remarks
	5910 850 4520	Ignition system tester, ZAT 3	1		

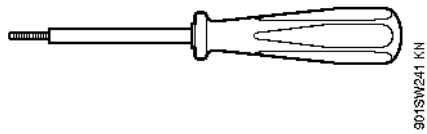
Ignition system tester, ZAT 4



Ignition system tester, ZAT 4

#	Part Number	Description	Quantity	Contains Item(s)	Remarks
	5910 850 4503	Ignition system tester, ZAT 4	1		

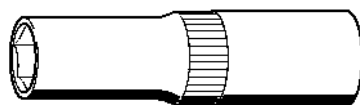
Puller



Puller

#	Part Number	Description	Quantity	Contains Item(s)	Remarks
	5910 890 4500	Puller	1		

Socket, 13 mm, long reach

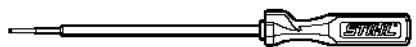


9015W285 KN

Socket, 13 mm, long reach

#	Part Number	Description	Quantity	Contains Item(s)	Remarks
	5910 893 2804	Socket, 13 mm, long reach	1		

Screwdriver

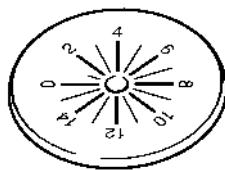


901SW282 K1N

Screwdriver

#	Part Number	Description	Quantity	Contains Item(s)	Remarks
	5910 890 2304	Screwdriver	1		

Setting disk

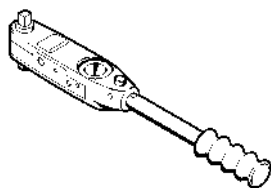


901SW267 KN

Setting disk

#	Part Number	Description	Quantity	Contains Item(s)	Remarks
	5910 893 6600	Setting disk	1		

Torque wrench with optical/acoustic signal

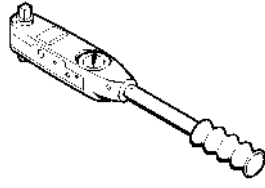


901SW290 KN

Torque wrench with optical/acoustic signal

#	Part Number	Description	Quantity	Contains Item(s)	Remarks
	5910 890 0312	Torque wrench with optical/acoustic signal	1		

Torque wrench

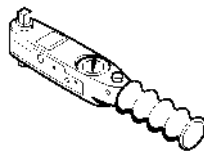


9015W251 KN

Torque wrench

#	Part Number	Description	Quantity	Contains Item(s)	Remarks
	5910 890 0311	Torque wrench	1		

Torque wrench with optical/acoustic signal

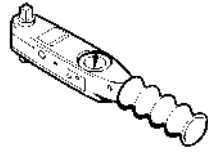


9015W262 KN

Torque wrench with optical/acoustic signal

#	Part Number	Description	Quantity	Contains Item(s)	Remarks
		Torque wrench	1		

Torque wrench

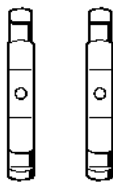


9015W28 KN

Torque wrench

#	Part Number	Description	Quantity	Contains Item(s)	Remarks
	5910 890 0301	Torque wrench	1		

Jaw (profile No. 3.1 and 4)

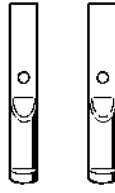


MS 268MAS106

Jaw (profile No. 3.1 and 4)

#	Part Number	Description	Quantity	Contains Item(s)	Remarks
	0000 893 3706	Jaw (profile No. 3.1 and 4)	1		

Jaw (profile No. 6)

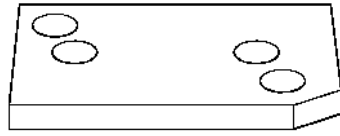


MS 171 MS 171

Jaw (profile No. 6)

#	Part Number	Description	Quantity	Contains Item(s)	Remarks
	0000 893 3711	Jaw (profile No. 6)	1		

Flange

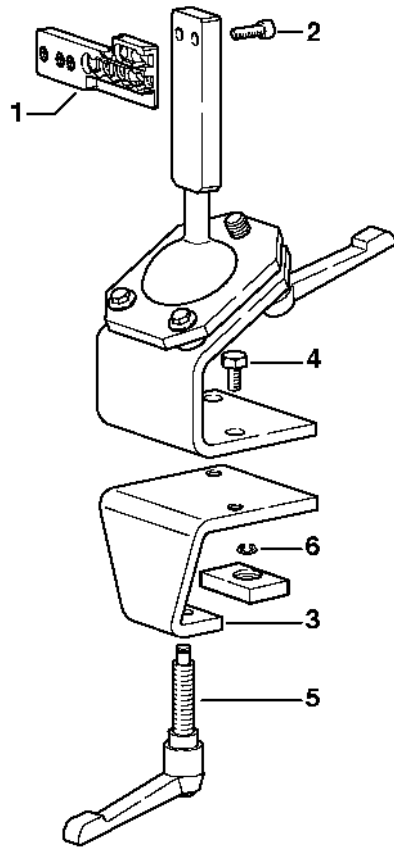


9015W366 CAM

Flange

#	Part Number	Description	Quantity	Contains Item(s)	Remarks
	1123 855 4200	Flange	1		

Assembly stand

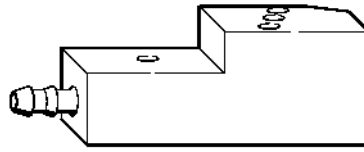


90151633 SC

Assembly stand

#	Part Number	Description	Quantity	Contains Item(s)	Remarks
	5910 890 3101	Assembly stand	1	1 - 6	
1	5910 850 1651	Support	1		
2	9045 319 2390	Socket head screw M10x25	2		
3	5910 850 2100	Clamping plate	1	4 - 6	
4	9008 319 2930	Hexagon head screw M12x20	2		
5	5910 890 1901	Clamp lever	1		
6	9455 621 0850	Circlip 10x1	1		

Flange

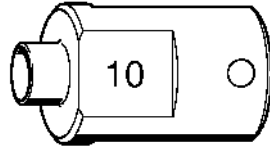


90/51967 KN

Flange

#	Part Number	Description	Quantity	Contains Item(s)	Remarks
	1139 893 2500	Flange	1		

Sleeve

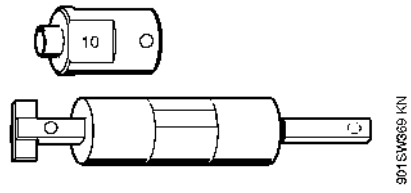


9015WBS KN

Sleeve

#	Part Number	Description	Quantity	Contains Item(s)	Remarks
	5910 893 1707	Sleeve	1		

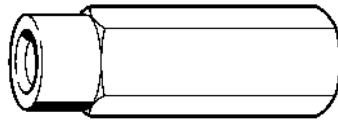
Installing tool, 10



Installing tool, 10

#	Part Number	Description	Quantity	Contains Item(s)	Remarks
	5910 890 2210	Installing tool, 10	1		
	5910 893 1707	Sleeve	1		

Puller

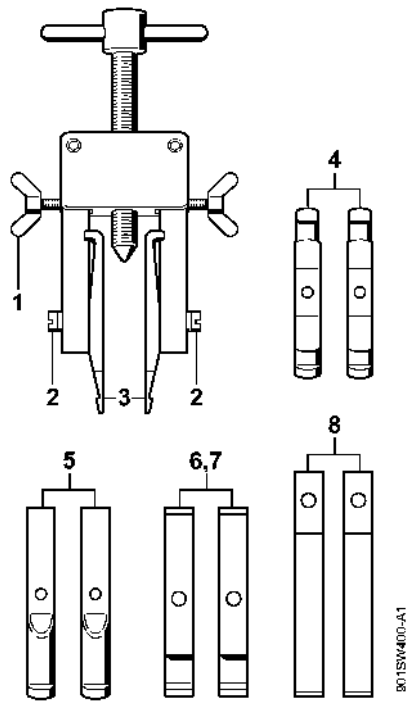


801516388 KN

Puller

#	Part Number	Description	Quantity	Contains Item(s)	Remarks
	5910 893 0801	Puller	1		

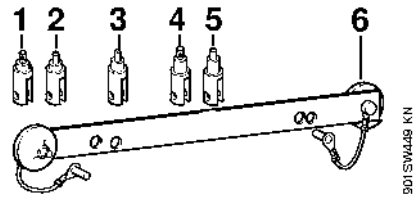
Puller



Puller

#	Part Number	Description	Quantity	Contains Item(s)	Remarks
	5910 890 4400	Puller	1	1 - 8	
1	9157 691 0980	Wing screw M5x16	2		
2	9044 319 0980	Pan head screw M5x16	2		
3	0000 893 3700	Jaw (profile No. 1 and 2)	2		
4	0000 893 3706	Jaw (profile No. 3.1 and 4)	2		
5	0000 893 3711	Jaw (profile No. 6)	2		
6	0000 893 3703	Jaw (profile No. 7)	2		
7	0000 893 3704	Jaw (profile No. 8)	2		
8	0000 893 3707	Jaw (profile No. 9)	2		

Installing tool



Installing tool

#	Part Number	Description	Quantity	Contains Item(s)	Remarks
	1123 890 2202	Installing tool	1	1 - 6	
1	1123 893 1400	Puller	1		
2	1123 893 1500	Installer	1		
3	1123 893 1501	Installer	1		
4	1130 893 1400	Puller	1		
5	1130 893 1500	Installer	1		
6	1123 893 7500	Support	1		

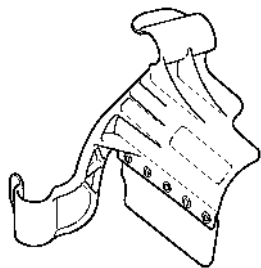
Locking strip



9015W474 SC

Locking strip

#	Part Number	Description	Quantity	Contains Item(s)	Remarks
	0000 893 5904	Locking strip	1		

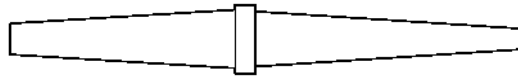


901SW484.GM

Cover

#	Part Number	Description	Quantity	Contains Item(s)	Remarks
	5910 890 3200	Cover	1		

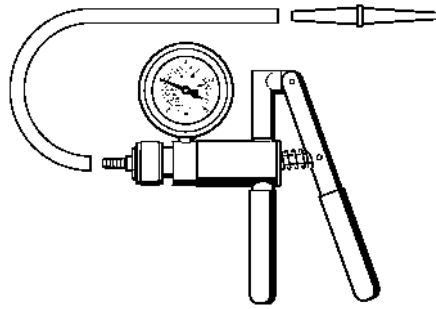
Nipple



9013W496 GM

Nipple

#	Part Number	Description	Quantity	Contains Item(s)	Remarks
	0000 855 9201	Nipple	1		



901 SW498 GM

Pump

#	Part Number	Description	Quantity	Contains Item(s)	Remarks
	0000 850 1300	Pump	1		
	0000 855 9201	Nipple	1		
	0000 855 0100	Hose	1		

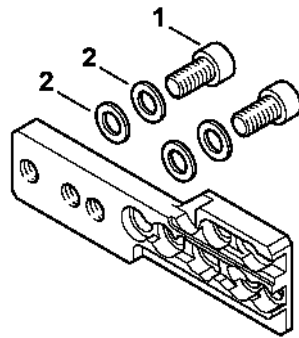
Stud puller, M8-7,5



9015W502 GM

Stud puller, M8-7,5

#	Part Number	Description	Quantity	Contains Item(s)	Remarks
	5910 890 3000	Stud driver M8-7.5	1		

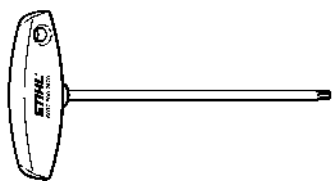


90151647 SC

Support

#	Part Number	Description	Quantity	Contains Item(s)	Remarks
	5910 850 1651	Support	1	1, 2	
1	9045 319 2390	Socket head screw M10x25	2		
2	9291 021 3870	Washer 10.5x20x1.5	4		

Screwdriver, T27x150

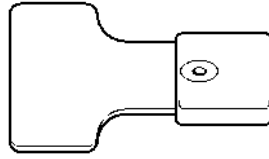


9015W575 K11

Screwdriver, T27x150

#	Part Number	Description	Quantity	Contains Item(s)	Remarks
	5910 890 2400	Screwdriver, T27x150	1		

Setting gauge



90T5W163 GM

Setting gauge

#	Part Number	Description	Quantity	Contains Item(s)	Remarks
	4118 890 6401	Setting gauge	1		