

MS 170-Z

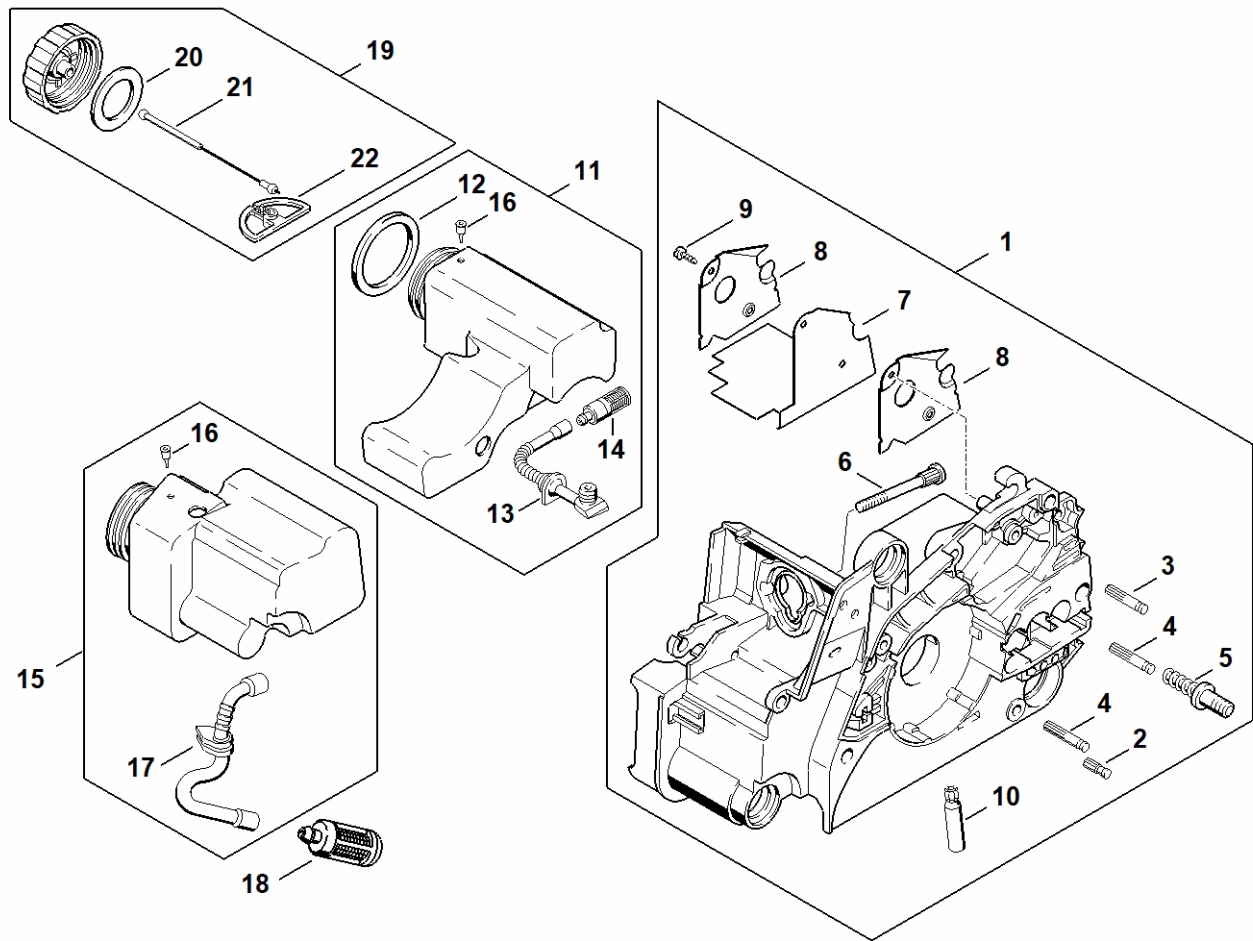
Spare Parts List
12/13/2023
Australia, English

Muffler with spark arrestor

Contents

A - Motor housing	2	Installing tool, 8	59
C - Cylinder	4	Stud puller, M8	61
F - Muffler	6	Socket, 13 mm	63
G - Rewind starter	8	Socket, 19 mm	65
I - Ignition system, AV system	10	Assembly hook	67
J - Hand guard, Chain brake	12	Sleeve	69
K - Quick chain tensioner	14	Sleeve	71
L - Air filter, Shroud	16	Locking strip	73
O - Carburetor C1Q-S57, C1Q-S57, C1Q-S264	18	Torque wrench with optical/acoustic signal	75
R - Handle frame, Tools	21	Torque wrench	77
S - 2-in-1 laser	23	Torque wrench with optical/acoustic signal	79
R - Serial number	25	Torque wrench	81
U - Smart Connector	27	Jaw (profile No. 3.1 and 4)	83
V - Tightening torques	29	Assembly drift	85
W - Tightening torques	31	Flange	87
Jaw	33	Screwdriver	89
Nipple	35	Assembly stand	91
Press sleeve	37	Clamping plate	93
Guide	39	Puller	95
Sealing plate	41	Installing tool	97
Socket, T27x125	43	Cover	99
Hose 135 mm / 5 5/16"	45	Nipple	101
Setting gauge	47	Testing tool kit	103
Installing tool	49	Pump	105
Assembly tube	51	Stud puller, M8-7,5	107
Flange	53	Screwdriver, T27x150	109
Puller	55	Setting gauge	111
Installer	57	Screwdriver, T8	113

A - Motor housing

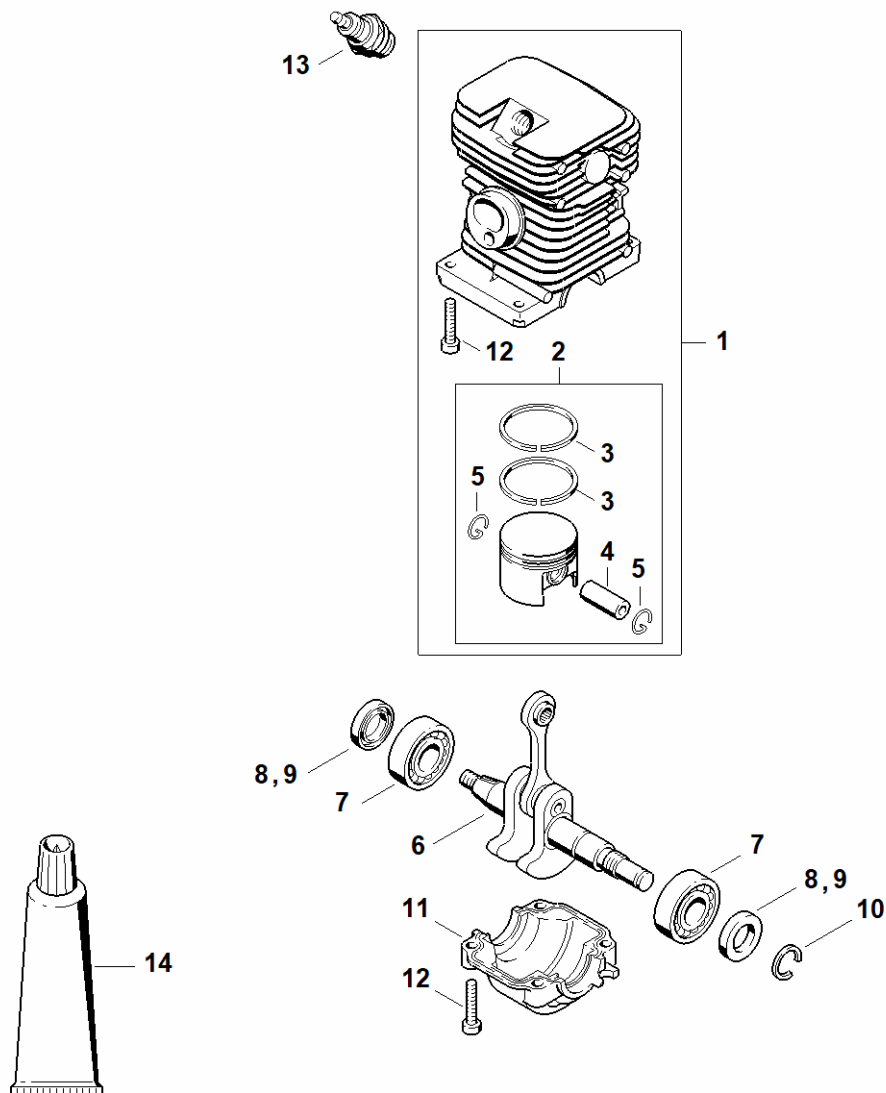


1130-GET-0050
[Logo]

A - Motor housing

#	Part Number	Description	Quantity	Contains Item(s)	Remarks
1	1130 020 3033	Engine housing	1	2 - 10	
2	1120 162 5200	Pin	1		
3	1123 162 5200	Pin	1		
4	1123 162 5205	Pin	2		
5	1123 664 2400	Collar screw	2		
5	1123 664 2405	Collar screw D9/M8	2		
6	1130 122 6601	Collar screw	2		
10	1123 640 3200	Oil pump 0.55	1		
11	1130 350 4400	Oil tank	1	12 - 14, 16	
12	0000 359 1241	Sealing ring	1		
13	1130 647 9400	Hose	1		
14	1123 640 3800	Pickup body	1		
15	1130 350 0412	Fuel tank	1	16, 17	
16	0747 313 6810	Valve	2		
17	1130 358 7701	Hose	1		
18	0000 350 3500	Pickup body	1		
19	1130 350 0500	Filler cap	2	20 - 22	
20	0000 359 1240	Sealing ring	2		
21	0000 350 0905	Rope	2		
22	0000 353 0605	Hook	2		

C - Cylinder

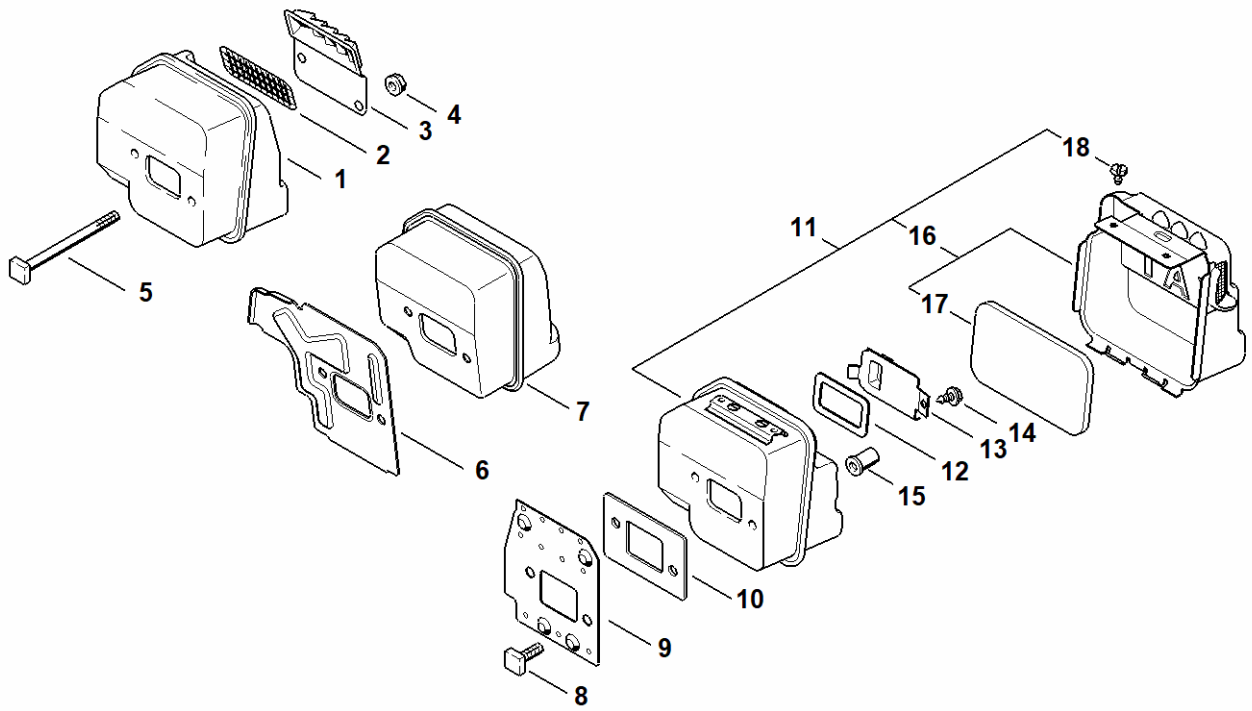


1130-GET-0052
KG

C - Cylinder

#	Part Number	Description	Quantity	Contains Item(s)	Remarks
1	1130 020 1207	Cylinder with piston Ø 37 mm	1	2 - 5, 12	
2	1130 030 2000	Piston Ø 37 mm	1	3 - 5	
3	1130 034 3003	Piston ring Ø 37x1.2 mm	2		
4	1130 034 1500	Piston pin 8x4x25	1		
5	9463 650 0807	Snap ring 8x0.7	2		
6	1132 030 0401	Crankshaft	1		
7	9503 003 0312	Grooved ball bearing 6002	2		
8	9638 003 1581	Oil seal 15x25x5	2		
9	9639 003 1585	Oil seal 15x25x5	2		
10	9468 621 1520	Circlip 15x1	1		
11	1130 021 2504	Engine pan	1		
12	9075 478 4159	Pan head self-tapping screw IS-D5x24	8		
13	0000 400 7000	Spark plug NGK BPMR7A	1		
13	0000 400 7016	Spark plug STIHL	1		
13	1110 400 7005	Spark plug Bosch WSR 6 F	1		
13	0000 400 7029	Spark plug STIHL ZK C 14, pack of 10	1		
13	0000 400 7030	Spark plug STIHL ZK C 14, pack of 40	1		
14	0783 830 2000	Sealant, Dirko HT red	1		

F - Muffler

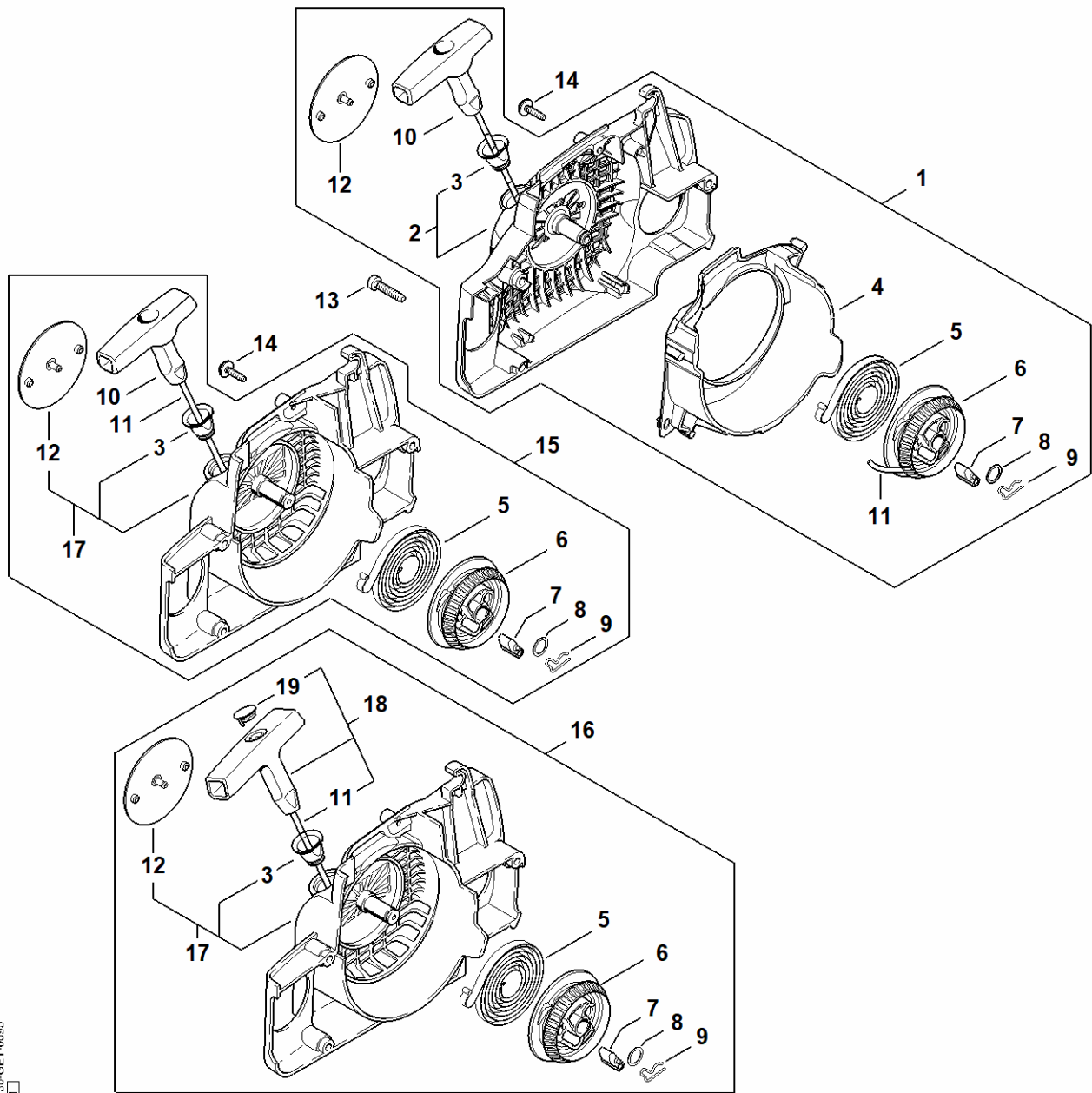



1130-GET-0054
K1

F - Muffler

#	Part Number	Description	Quantity	Contains Item(s)	Remarks
1	1130 140 0600	Muffler	1		
2	1130 141 9000	Screen	1		USA, AUS, CDN
3	1130 145 2900	Muffler cover	1		
4	9216 261 0700	Hexagon nut M5	2		
5	1123 148 1201	Screw M5x65	2		

G - Rewind starter

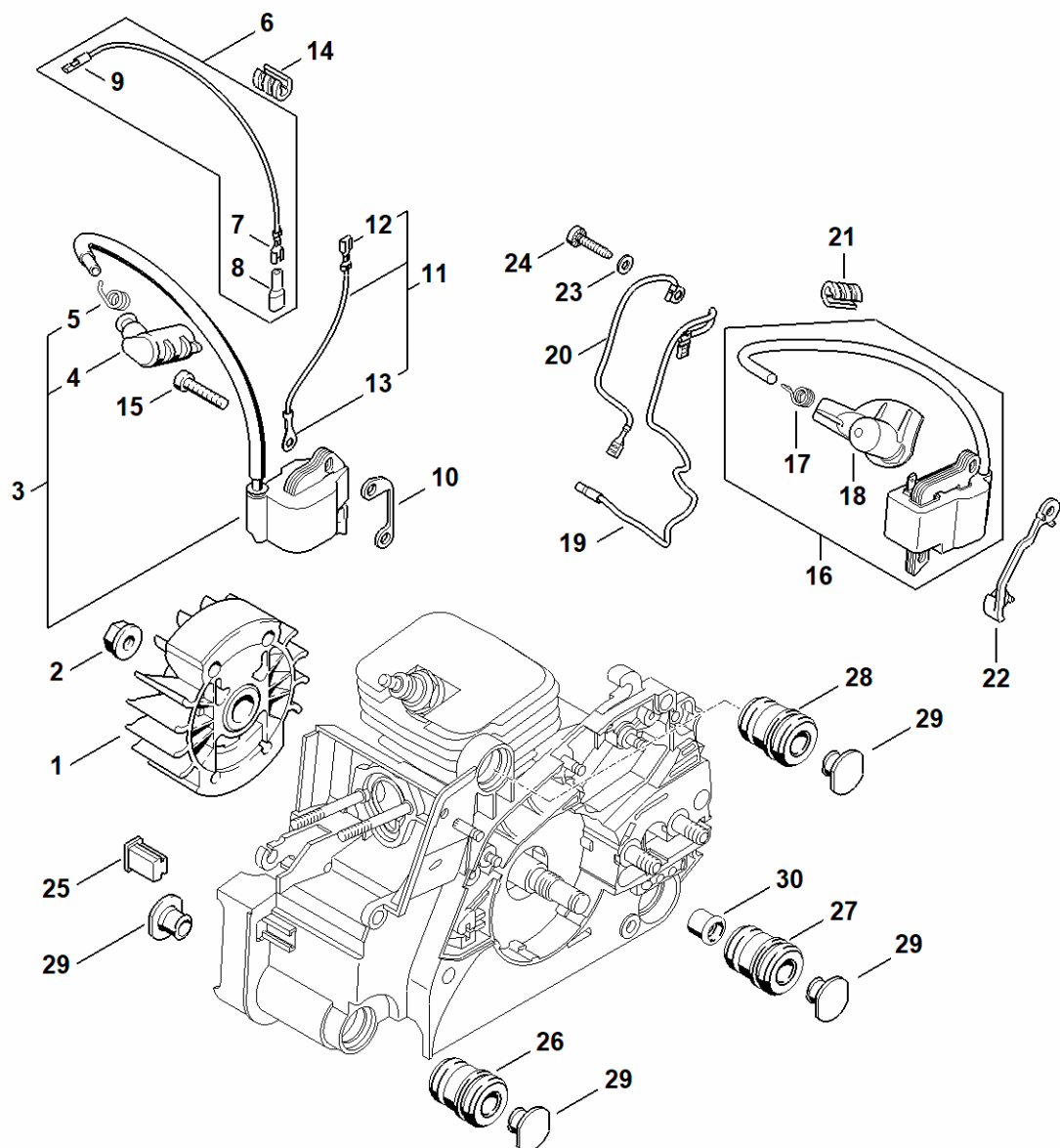


1130-GET-0055


G - Rewind starter

#	Part Number	Description	Quantity	Contains Item(s)	Remarks
1	1130 080 2110	Fan housing with rewind starter	1	2 - 12	
2	1130 080 1807	Fan housing	1	3	
3	1110 084 9102	Bushing	1		
4	1130 084 7801	Segment	1		
5	1129 190 0601	Rewind spring	1		
6	1123 195 0400	Rope rotor	1		
7	1125 195 7200	Pawl	1		
8	0000 958 0923	Washer	1		
9	1118 195 3500	Spring	1		
10	1121 195 3400	Starter grip	1		
11	0000 195 8200	Starter rope Ø 3x800 mm	1		
12	1130 967 1504	Model plate MS 170	1		
13	9075 478 4155	Pan head self-tapping screw IS-D5x24	3		
14	9104 003 8733	Self-tapping screw P4x16	1		
15	1130 080 2100	Fan housing with rewind starter	1	3, 5 - 12, 17	
16	1130 080 2105	Fan housing with rewind starter	1	3, 5 - 9, 11, 12, 17 - 19	
17	1130 080 1800	Fan housing	1	3, 12	
18	0000 190 3402	Starter grip ElastoStart Ø 3 mm	1	11, 19	
19	0000 195 7001	Cap	1		

I - Ignition system, AV system

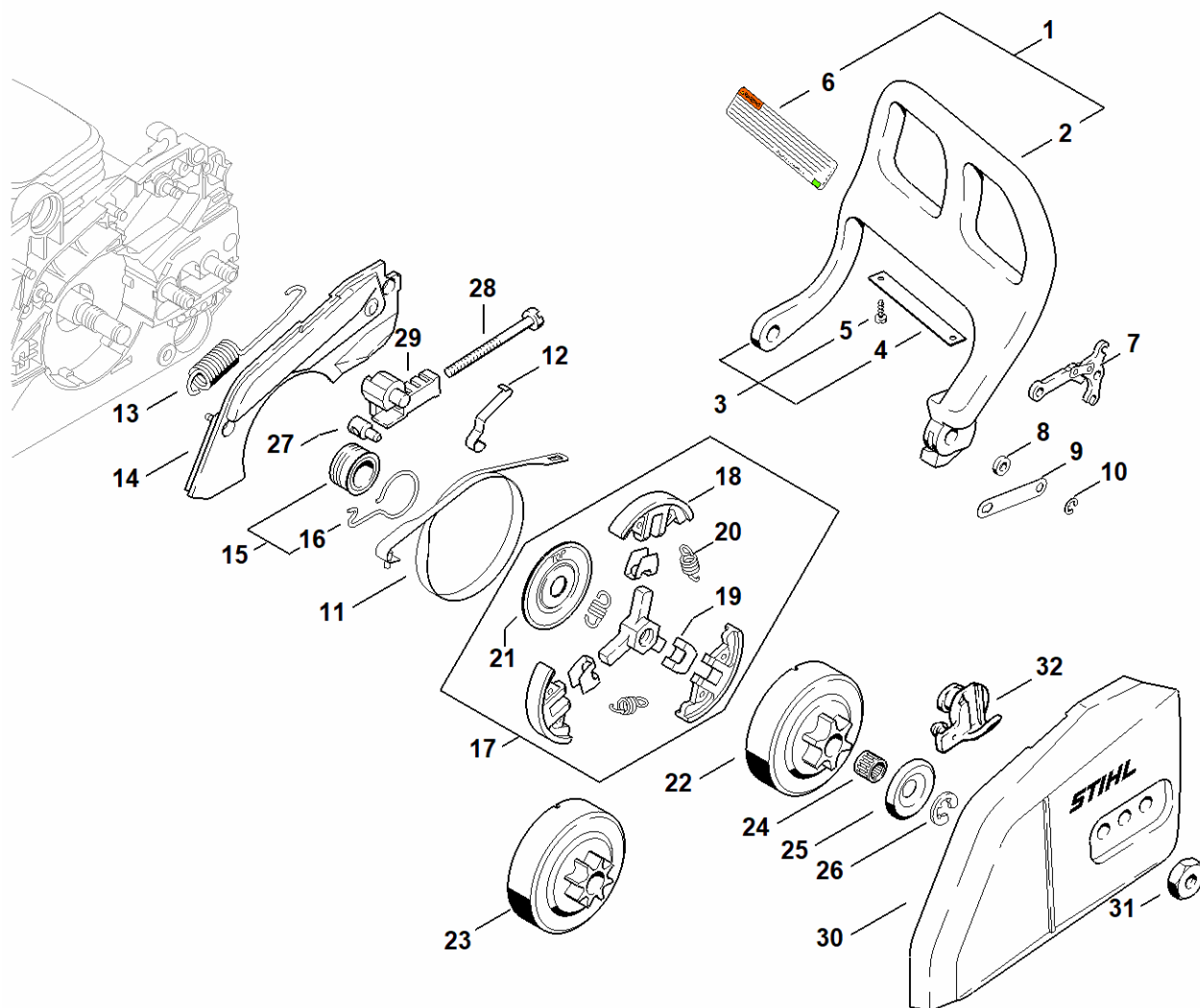


1130-GET-0057
K1

I - Ignition system, AV system

#	Part Number	Description	Quantity	Contains Item(s)	Remarks
1	1130 400 1201	Flywheel	1		
2	0000 955 0802	Collar nut M8x1	1		
3	1130 400 1302	Ignition module	1	4, 5	
4	1128 405 1000	Spark plug boot	1		
5	0000 998 0604	Spark plug contact spring	1		
6	1130 440 1101	Short circuit wire	1	7 - 9	
7		Terminal socket 4.8-1	1		
8	0751 030 8467	Grommet	1		
9	0751 030 8490	Terminal socket 3.5	1		
10	1130 405 8000	Insulator	1		
11	1130 440 2201	Ground wire 125 mm / 4 15/16"	1	12, 13	
12	0751 030 8953	Terminal socket 4.8-1	1		
13	0751 030 8969	Terminal socket A5-1.5	1		
14	1130 448 1201	Lead retainer	1		
15	9075 478 4155	Pan head self-tapping screw IS-D5x24	2		
25	1130 791 5900	Stop buffer	1		
		AV system normal:	1		
26	1123 791 2800	Annular buffer	1		
27	1123 791 2800	Annular buffer	1		
28	1123 791 2800	Annular buffer	1		
		AV system hard:	1		
26	1130 791 2801	Annular buffer	1		USA, AUS, CDN
27	1130 791 2801	Annular buffer	1		USA, AUS, CDN
28	1130 791 2801	Annular buffer	1		USA, AUS, CDN
29	1123 791 7300	Plug	5		
30	1123 791 7305	Plug	1		

J - Hand guard, Chain brake

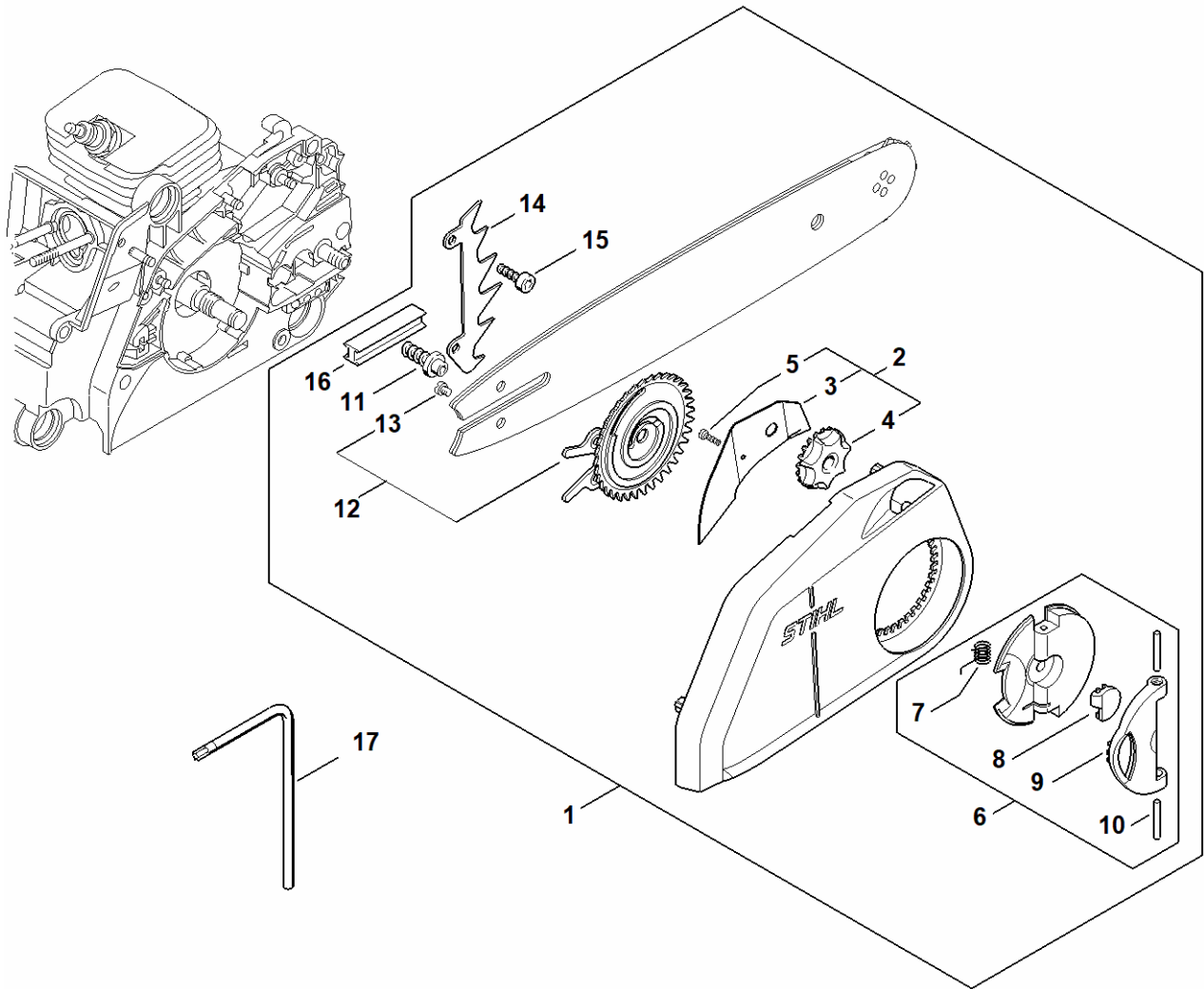


1130-GET-0056

J - Hand guard, Chain brake

#	Part Number	Description	Quantity	Contains Item(s)	Remarks
2	1130 792 9100	Hand Guard	1		
7	1128 160 5000	Lever	1		
8	0000 958 0521	Washer	1		
9	1123 162 5800	Strap	1		
10	9460 624 0400	E-clip 4	1		
11	1123 160 5400	Brake band	1		
12	1123 162 7800	Flat spring	1		
13	1123 162 7900	Tension spring	1		
14	1130 021 1100	Cover	1		
15	1123 640 7102	Worm gear	1	16	
16	1123 647 2400	Spring	1		
17	1123 160 2050	Clutch	1	18 - 21	
18	1129 162 0800	Clutch shoe	3		
19	1127 162 3000	Retainer	3		
20	0000 997 5515	Tension spring	3		
21	1121 162 1001	Cover washer	1		
22	1123 640 2003	Chain sprocket 3/8"P 6 teeth	1		
23	1123 640 2007	Chain sprocket 1/4" 8T	1		
24	9512 933 2260	Needle cage 10x13x10	1		
25	0000 958 1022	Washer Ø 27 mm	1		
26	9460 624 0801	E-clip 8x1,3	1		
27	1120 664 1500	Tensioning nut	1		
28	1123 664 1605	Adjusting screw	1		
29	1123 664 2205	Cover	1		
30	1123 640 1705	Chain sprocket cover	1		
31	0000 955 0801	Hexagon nut M8	2		
32	1123 656 7700	Chain catcher	1		

K - Quick chain tensioner

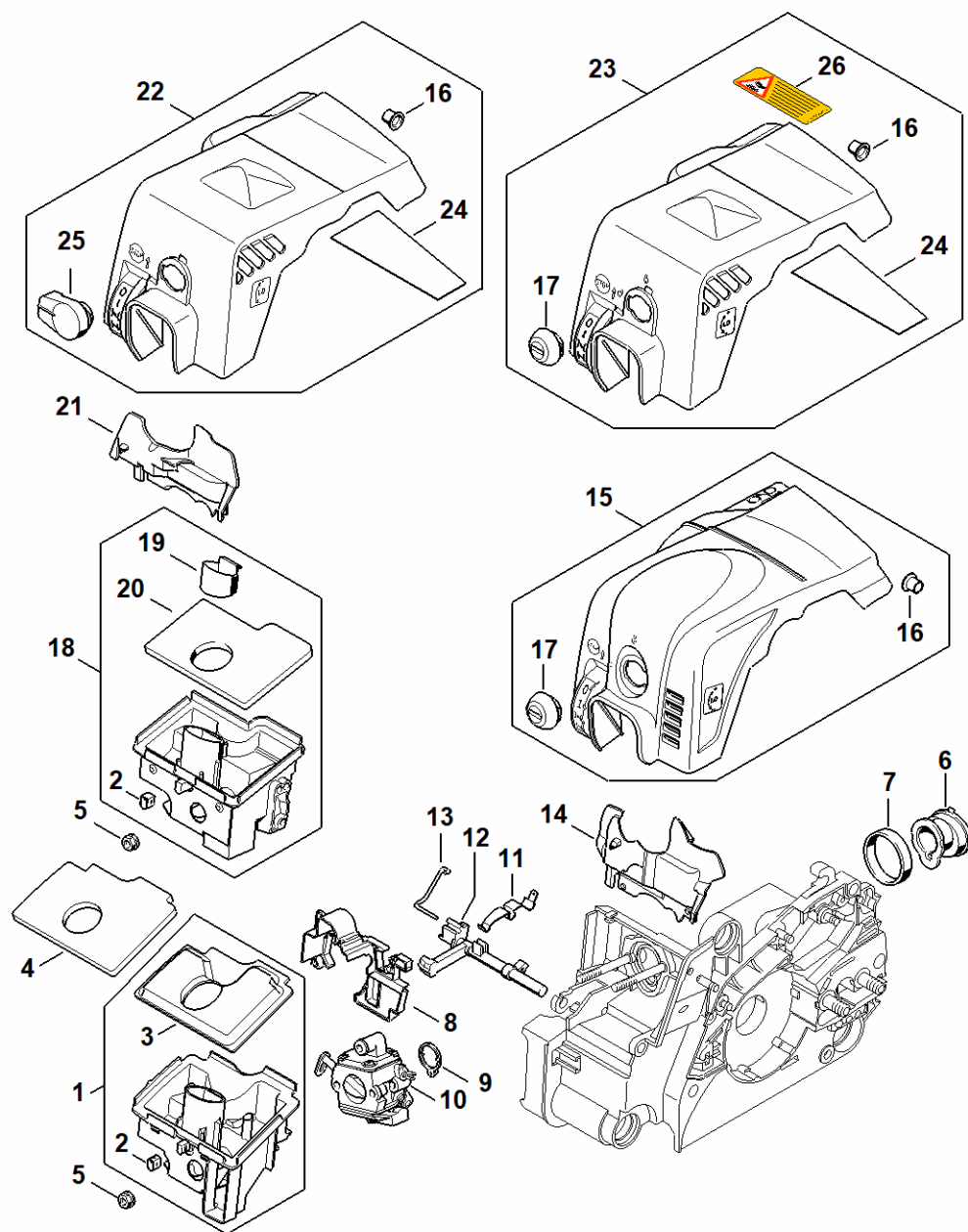


1130-GET-0059
K

K - Quick chain tensioner

#	Part Number	Description	Quantity	Contains Item(s)	Remarks
1	1123 007 1008	Quick tensioner parts	1	2 - 16	
2	1123 640 1700	Chain sprocket cover	1	3 - 5	
3	1123 648 3800	Cover plate	1		
4	1123 648 2202	Adjusting wheel	1		
5	9104 003 8600	Self-tapping screw P3x10	1		
6	1121 660 1000	Wing nut	1	7 - 10	
7		Torsion spring	1		
8		Cap	1		
9		Handle	1		
10		Cylindrical pin 3m6x26	2		
11	1123 664 2402	Collar screw	1		
12	1123 660 3001	Tensioning gear	1	13	
13	9041 319 0600	Pan head screw M4x5	1		
14	1123 664 0501	Bumper spike	1		
15	9075 478 4115	Pan head self-tapping screw IS-D5x16	2		
16	1123 021 2800	Insert	1		
17	0812 370 1000	Screwdriver T27x120x70	1		

L - Air filter, Shroud

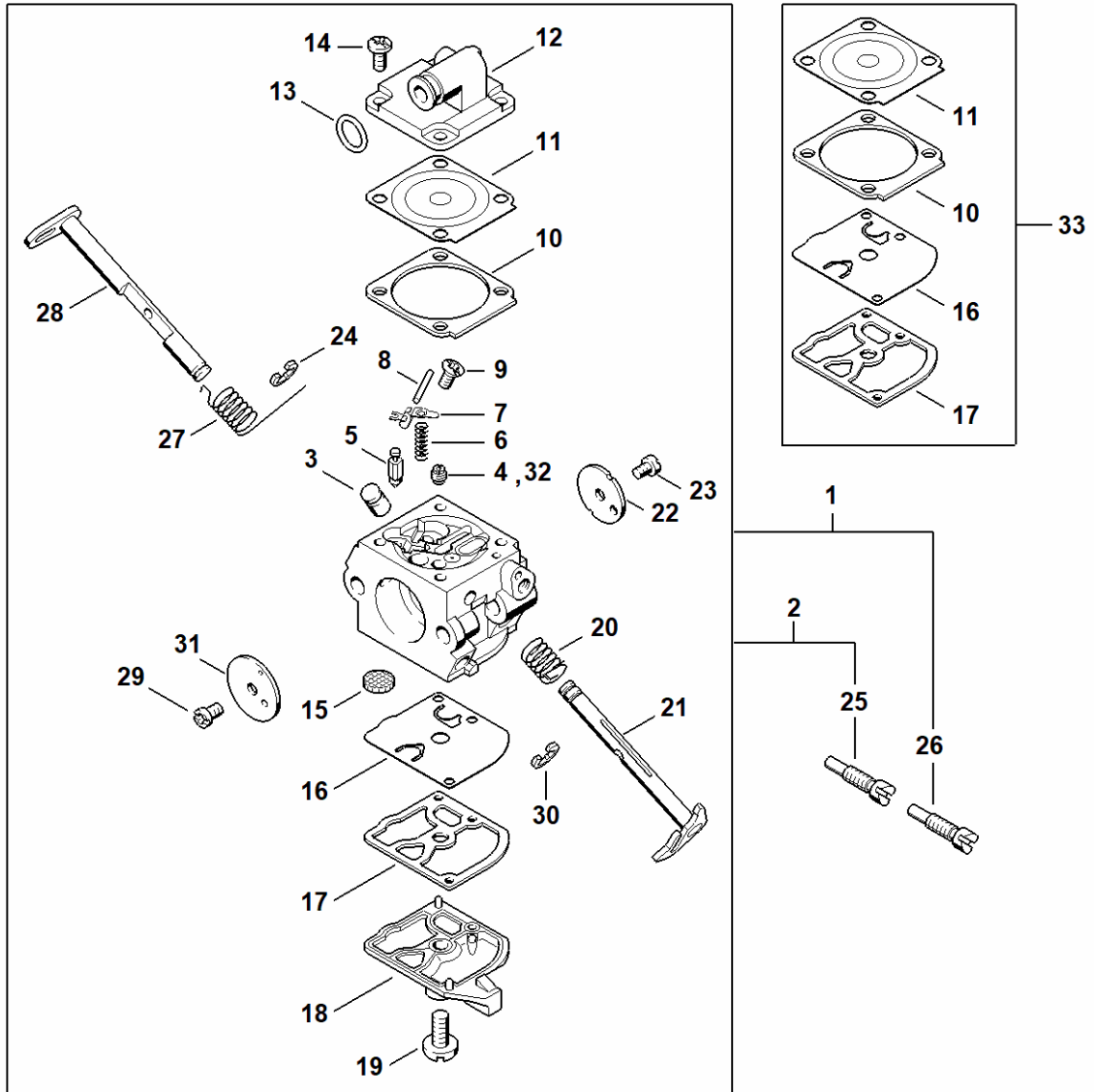


1130-GET-0100


L - Air filter, Shroud

#	Part Number	Description	Quantity	Contains Item(s)	Remarks
1	1130 140 2814	Filter housing	1	2, 3	
2	1130 124 7100	Sleeve	1		
3	1130 141 1702	Filter plate, fleece	1		
5	9216 261 0700	Hexagon nut M5	2		
6	1130 141 2200	Manifold	1		
7	1130 022 2000	Ring	1		
8	1130 141 6300	Air baffle	1		
9	1130 141 1800	Sleeve	1		
10	1130 120 0603	Carburetor CIQ-S57H	1		
11	1130 182 0900	Switch shaft	1		
12	1130 442 1602	Contact spring	1		
13	1130 185 2000	Choke rod	1		
14	1130 124 3204	Baffle plate	1		
15	1130 140 4714	Shroud	1	16, 17	
16	1130 141 1801	Sleeve	1		
17	1130 141 2306	Twist lock	1		
18	1130 140 2803	Filter housing	1	2, 19, 20	
18	1130 140 2808	Filter housing	1	2, 19, 20	AUS, NZ
19	1130 141 1101	Insert	1		
20	1130 124 0800	Filter plate	1		
20	1130 124 0801	Filter plate, fleece	1		AUS, NZ
21	1130 124 3200	Baffle plate	1		
22	1130 140 4709	Shroud	1	16, 24, 25	
24	1130 084 8300	Reflector foil	1		
25	1130 141 2300	Twist lock	1		

O - Carburetor C1Q-S57, C1Q-S57, C1Q-S264



1130-GET-0103

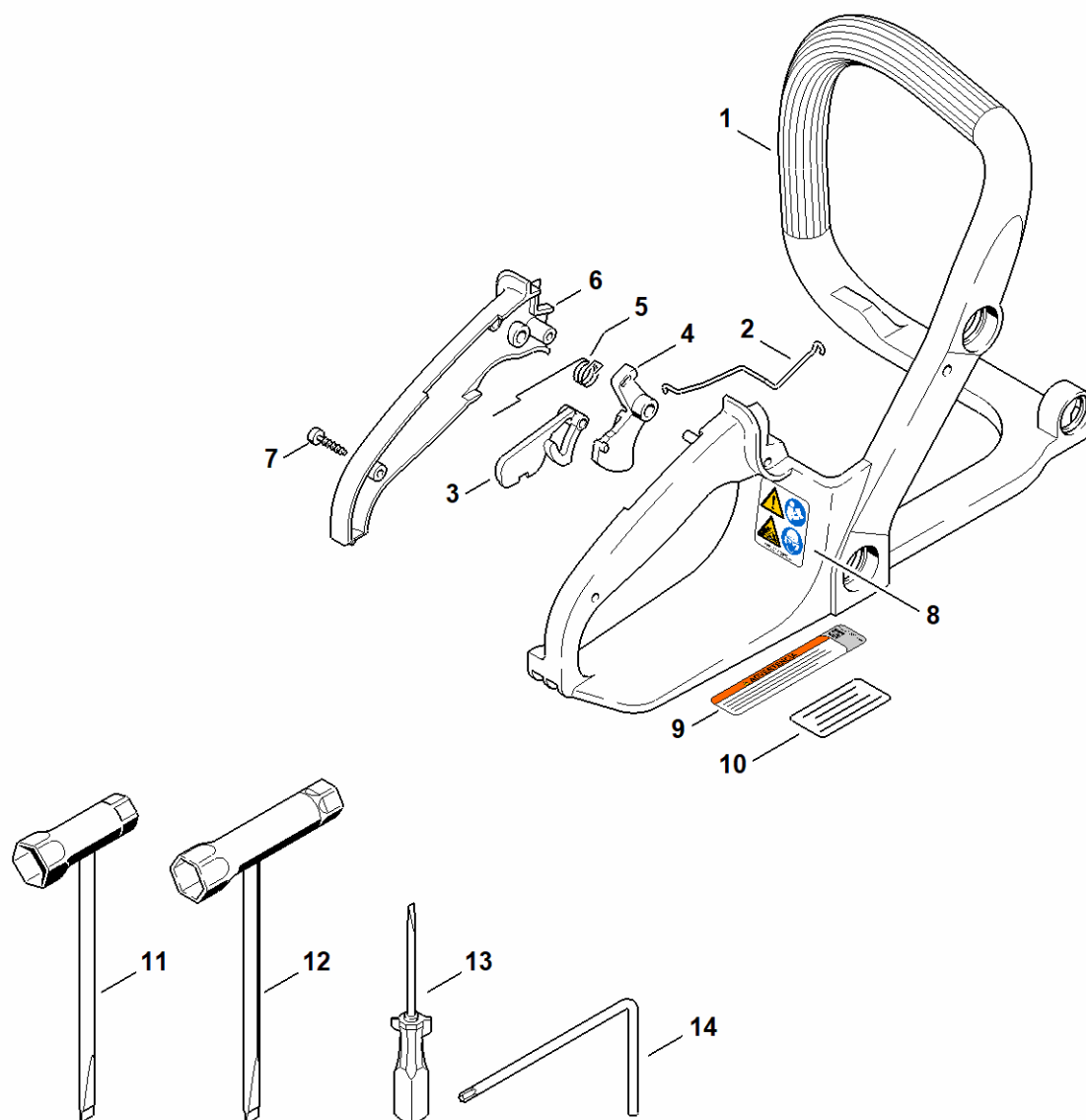

O - Carburetor C1Q-S57, C1Q-S57, C1Q-S264

#	Part Number	Description	Quantity	Contains Item(s)	Remarks
1		Carburetor C1Q-S57A	1	3 - 24, 26 - 31	
2		Carburetor C1Q-S264C	1	3 - 25, 27 - 31	
2	1130 120 0603	Carburetor C1Q-S57H	1	3 - 25, 27 - 31	
3	1130 121 5401	Valve jet	1		
4	1130 121 5604	Fixed jet 0.45	1		
5	Z000 018 Z000	Inlet needle	1		
6	1130 122 3001	Spring	1		
7	1125 121 5000	Inlet control lever	1		
8	1120 121 9200	Spindle	1		
9	1120 122 6600	Collar screw	1		
10	1130 129 0901	Metering gasket	1		
11	1130 121 4700	Metering diaphragm	1		
12	1130 121 0800	End cover	1		
13	9646 945 0490	O-ring 7x1.5	1		
14	1120 122 6601	Collar screw	4		
15	1123 121 7800	Strainer	1		
16	1130 121 4800	Pump diaphragm	1		
17	1130 129 0900	Pump gasket	1		
18	1130 121 0801	End cover	1		
19	1120 122 7800	Oval head screw	1		
20	1123 122 3000	Spring	1		
21	1130 120 7101	Throttle shaft with lever	1		
22	1130 121 3302	Throttle shutter	1		
23	1120 122 7400	Round head screw	1		
24	1125 122 9001	E-clip	1		
25	1130 122 6301	Idle speed screw	1		
26	1130 122 6300	Idle speed screw	1		

O - Carburetor C1Q-S57, C1Q-S57, C1Q-S264

#	Part Number	Description	Quantity	Contains Item(s)	Remarks
27	1123 122 3203	Torsion spring	1		
28	1123 120 7200	Choke shaft with lever	1		
29	1125 122 7403	Round head screw	1		
30	1125 122 9002	E-clip	1		
31	1132 121 2901	Choke shutter	1		
32	4137 121 5601	Fixed jet 0.42	1		High altitude
33	1130 007 1061	CARBURETOR PARTS KIT	1	10, 11, 16, 17	

R - Handle frame, Tools

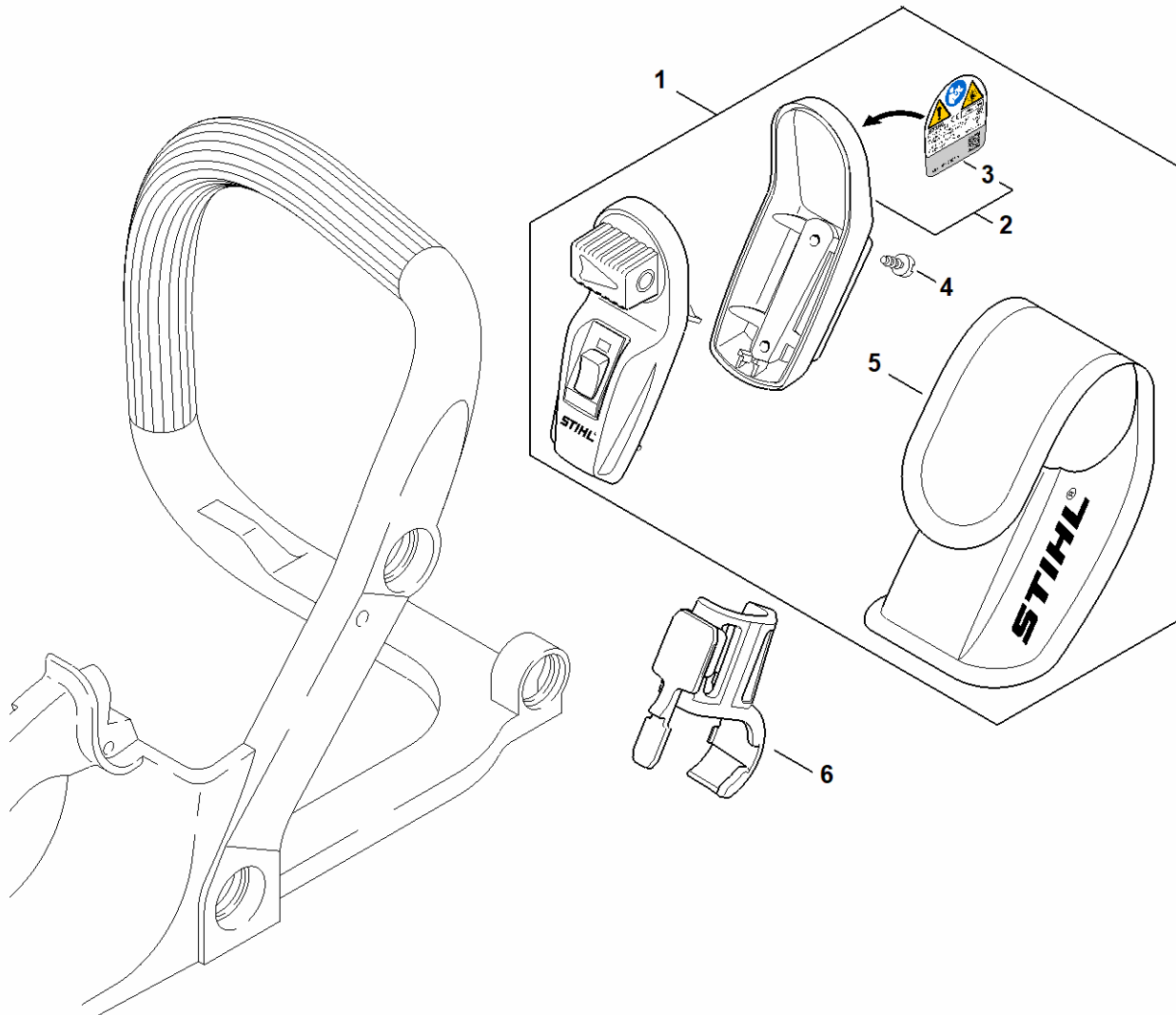


1130-GET-0106
[Symbol]

R - Handle frame, Tools

#	Part Number	Description	Quantity	Contains Item(s)	Remarks
1	1130 791 4901	Handle frame	1		
2	1130 182 1502	Throttle rod	1		
3	1130 182 0800	Lockout lever	1		
4	1130 182 1002	Throttle trigger	1		
5	1117 182 4500	Torsion spring	1		
6	1130 791 0601	Handle molding	1		
7	9074 478 3075	Pan head screw IS P4x19	2		
8	0000 967 7250	Warning pictogram MS	1		
9	0000 967 3579	Instruction label (Spanish)	1		USA
11	1129 890 3401	Combination wrench	1		
13	0000 890 2300	Screwdriver	1		
14	0812 370 1000	Screwdriver T27x120x70	1		

S - 2-in-1 laser

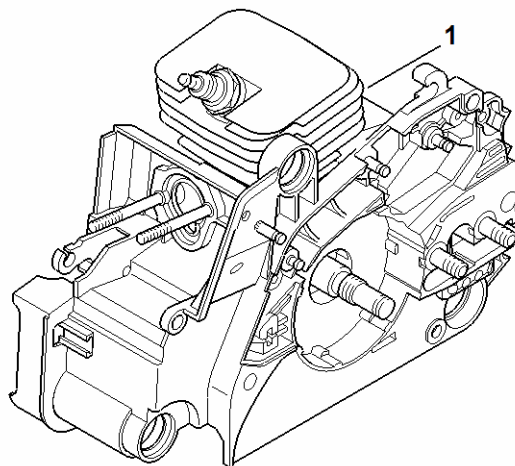


1130-GET-0107
[Logo]

S - 2-in-1 laser

#	Part Number	Description	Quantity	Contains Item(s)	Remarks
1	0000 400 0200	Laser	1	2 - 5	
2	0000 430 9900	Handle molding, bottom	1	3	
3	0000 967 7307	Warning pictogram	1		
4	9074 478 2967	Pan head self-tapping screw IS-P4x10	2		
5	0000 491 0100	Bag	1		
6	1130 791 5400	Support	1		

R - Serial number

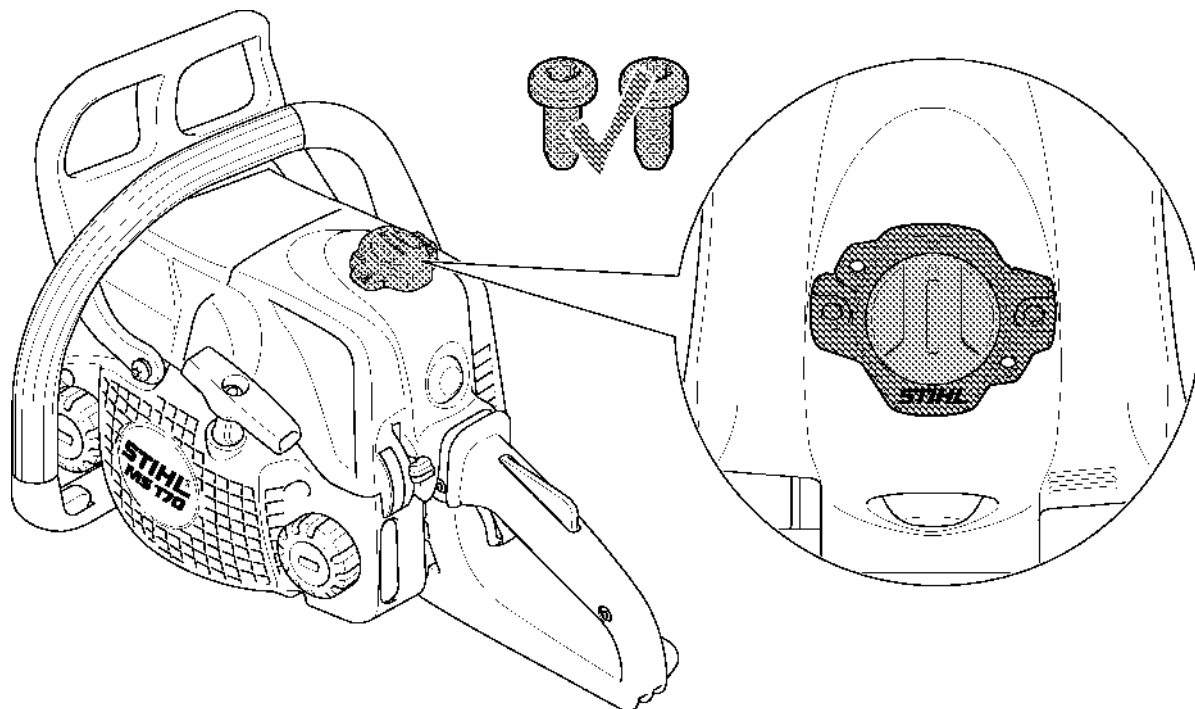


1130-GET-0108
KG

R - Serial number

#	Part Number	Description	Quantity	Contains Item(s)	Remarks
1		Position of serial number	1		

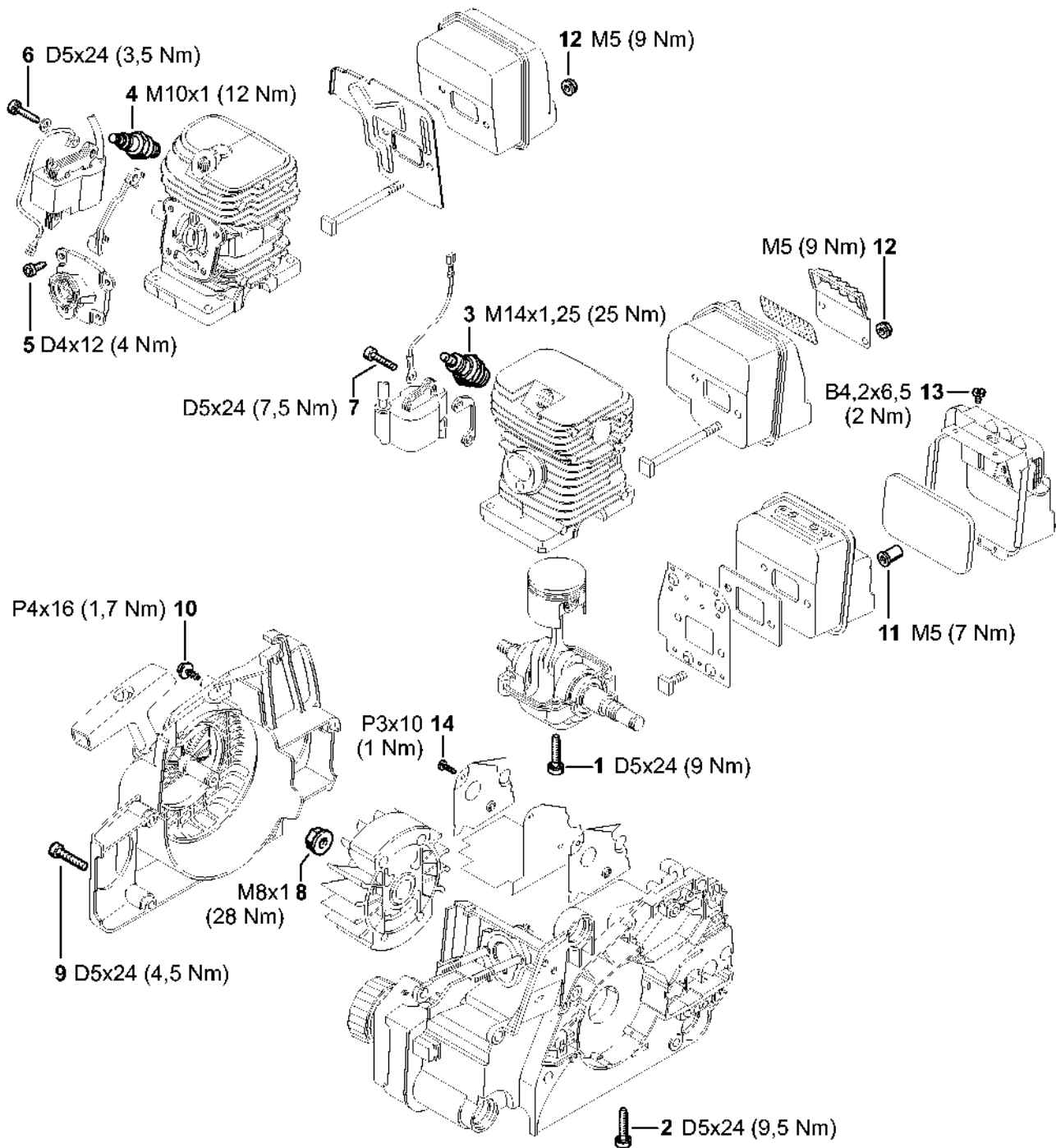
U - Smart Connector



U - Smart Connector

#	Part Number	Description	Quantity	Contains Item(s)	Remarks
		Position of Smart Connector	1		

V - Tightening torques

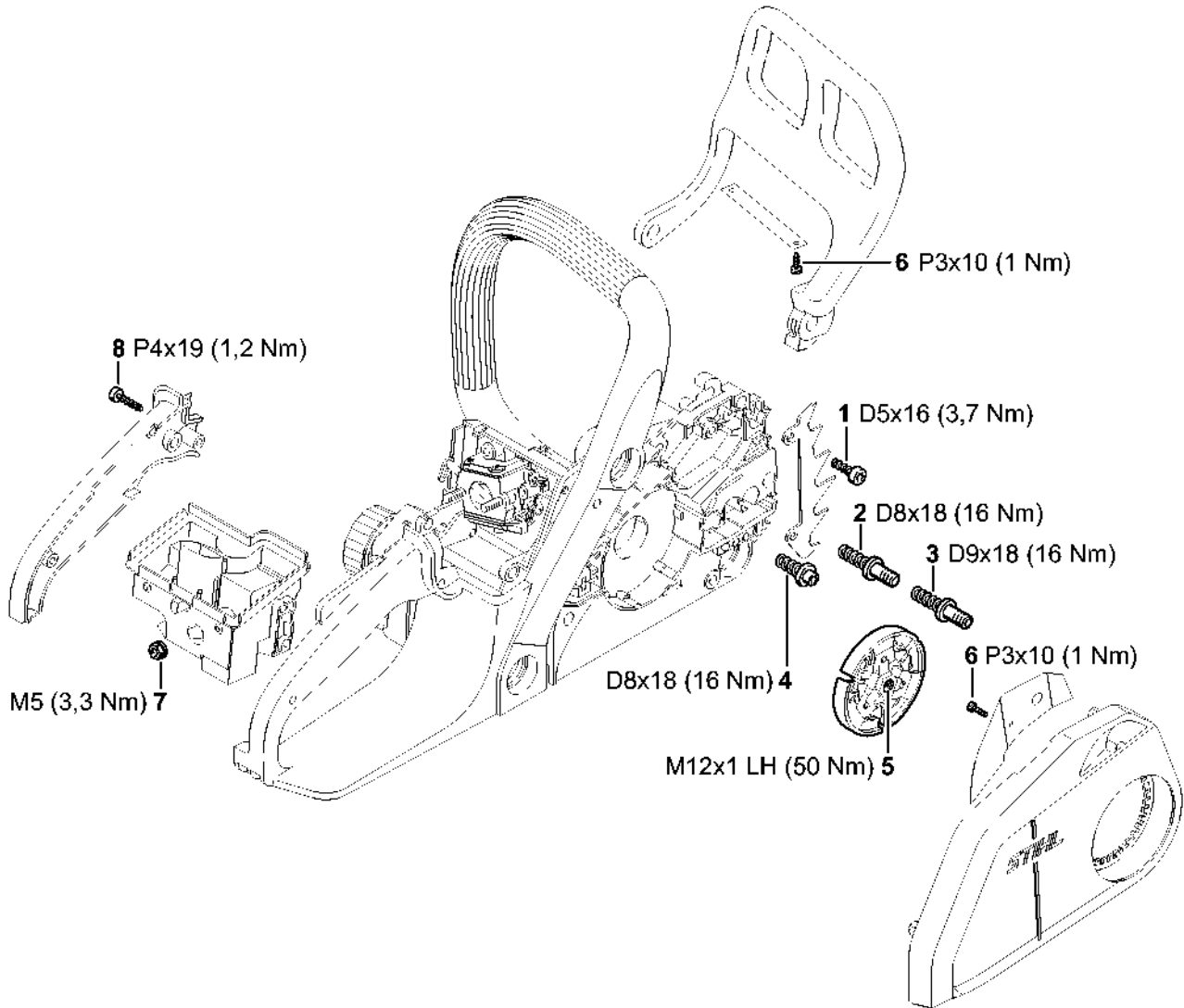


207ET028 SC

V - Tightening torques

#	Part Number	Description	Quantity	Contains Item(s)	Remarks
1	9075 478 4159	Pan head self-tapping screw IS-D5x24	4		Binding thread
2	9075 478 4159	Pan head self-tapping screw IS-D5x24	4		Binding thread
3	0000 400 7000	Spark plug NGK BPMR7A	1		
3	1110 400 7005	Spark plug Bosch WSR 6 F	1		
3	0000 400 7016	Spark plug STIHL	1		
7	9075 478 4155	Pan head self-tapping screw IS-D5x24	2		
8	0000 955 0802	Collar nut M8x1	1		
9	9075 478 4155	Pan head self-tapping screw IS-D5x24	3		
10	9104 003 8733	Self-tapping screw P4x16	1		
12	9216 261 0700	Hexagon nut M5	2		

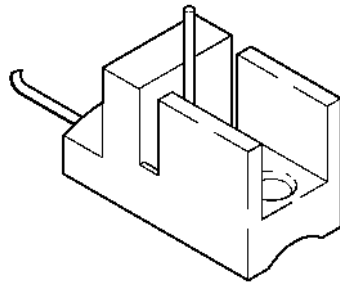
W - Tightening torques



1130-GET-0001-A0

W - Tightening torques

#	Part Number	Description	Quantity	Contains Item(s)	Remarks
1	9075 478 4115	Pan head self-tapping screw IS-D5x16	2		
2	1123 664 2400	Collar screw	2		
3	1123 664 2405	Collar screw D9/M8	2		
4	1123 664 2402	Collar screw	1		
5	1123 160 2050	Clutch	1		
6	9104 003 8600	Self-tapping screw P3x10	1		
7	9216 261 0700	Hexagon nut M5	2		
8	9074 478 3075	Pan head screw IS P4x19	2		

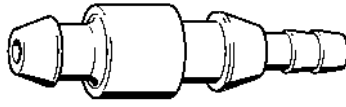


901SW005 GM

Jaw

#	Part Number	Description	Quantity	Contains Item(s)	Remarks
	0000 890 3700	Jaw	1		

Nipple

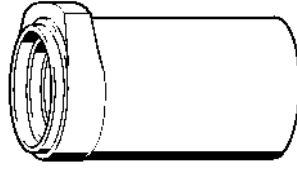


9015W008.GM

Nipple

#	Part Number	Description	Quantity	Contains Item(s)	Remarks
	0000 855 9200	Nipple	1		

Press sleeve



9015W068.GM

Press sleeve

#	Part Number	Description	Quantity	Contains Item(s)	Remarks
	1123 893 2400	Press sleeve	1		



9015W069 GM

Guide

#	Part Number	Description	Quantity	Contains Item(s)	Remarks
	1123 894 7700	Guide	1		

Sealing plate

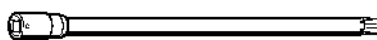


901SW078-GM

Sealing plate

#	Part Number	Description	Quantity	Contains Item(s)	Remarks
	0000 855 8106	Sealing plate	1		

Socket, T27x125

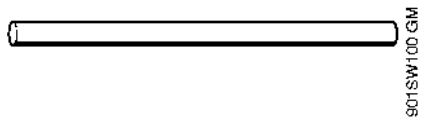


9015W091 GM

Socket, T27x125

#	Part Number	Description	Quantity	Contains Item(s)	Remarks
	0812 542 2104	Driver bit, 1/4" square drive, T27x125	1		

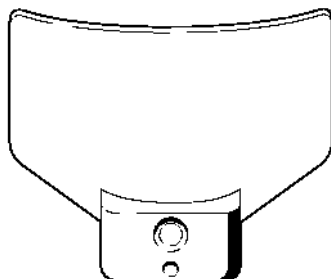
Hose 135 mm / 5 5/16"



Hose 135 mm / 5 5/16"

#	Part Number	Description	Quantity	Contains Item(s)	Remarks
	1110 141 8600	Hose 135 mm / 5 5/16"	1		

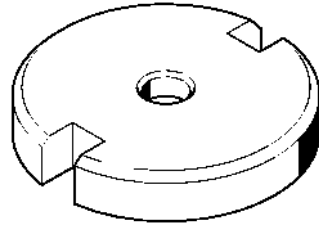
Setting gauge



901SW107 GM

Setting gauge

#	Part Number	Description	Quantity	Contains Item(s)	Remarks
	1111 890 6400	Setting gauge	1		



901SW11 GM

Installing tool

#	Part Number	Description	Quantity	Contains Item(s)	Remarks
	1116 893 4800	Installing tool	1		

Assembly tube

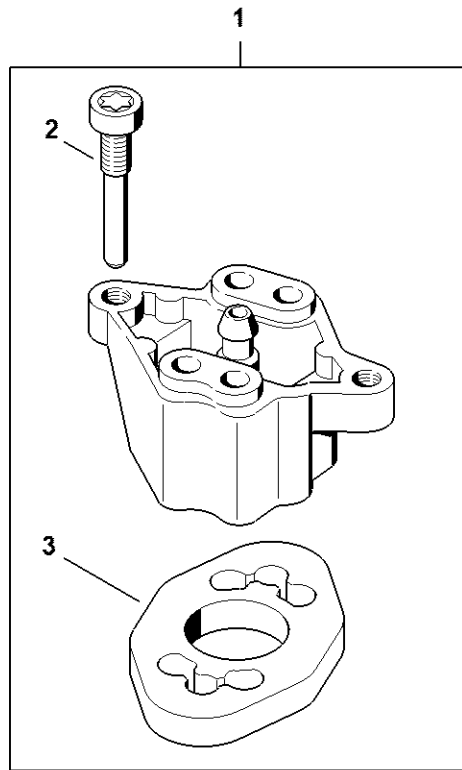


901SW112.GM

Assembly tube

#	Part Number	Description	Quantity	Contains Item(s)	Remarks
	1117 890 0900	Assembly tube	1		

Flange

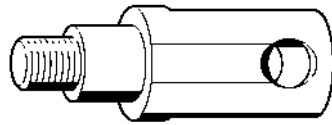


5910-GET-0183-A1

Flange

#	Part Number	Description	Quantity	Contains Item(s)	Remarks
1	5910 850 4207	Flange	1	2, 3	
2	1128 855 9000	Screw M5x30	1		
3	5910 851 9901	Gasket	1		

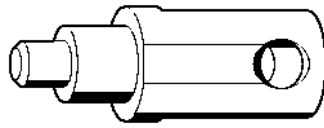
Puller



9015W143 GM

Puller

#	Part Number	Description	Quantity	Contains Item(s)	Remarks
	1130 893 1400	Puller	1		

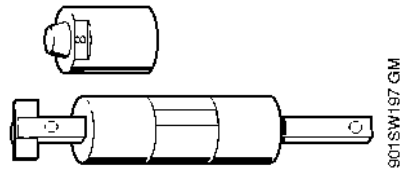


901SW144 GM

Installer

#	Part Number	Description	Quantity	Contains Item(s)	Remarks
	1130 893 1500	Installer	1		

Installing tool, 8



Installing tool, 8

#	Part Number	Description	Quantity	Contains Item(s)	Remarks
	5910 890 2208	Installing tool, 8	1		
	5910 893 1708	Sleeve	1		

Stud puller, M8

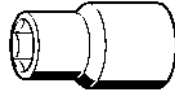


901SW209 GM

Stud puller, M8

#	Part Number	Description	Quantity	Contains Item(s)	Remarks
	5910 893 0501	Stud puller, M8	1		

Socket, 13 mm

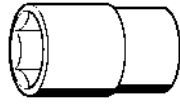


901SW217 GM

Socket, 13 mm

#	Part Number	Description	Quantity	Contains Item(s)	Remarks
	5910 893 5608	Socket, 13 mm	1		

Socket, 19 mm

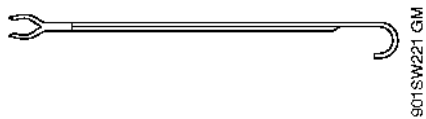


901SW219 GM

Socket, 19 mm

#	Part Number	Description	Quantity	Contains Item(s)	Remarks
	5910 893 5612	Socket, 19 mm	1		

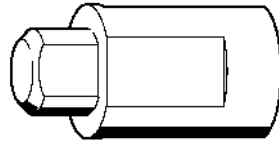
Assembly hook



Assembly hook

#	Part Number	Description	Quantity	Contains Item(s)	Remarks
	5910 893 8800	Assembly hook	1		

Sleeve

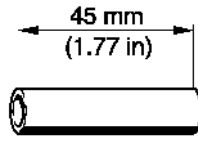


9015W288 KN

Sleeve

#	Part Number	Description	Quantity	Contains Item(s)	Remarks
	5910 893 1708	Sleeve	1		

Sleeve



5018W276 KN

Sleeve

#	Part Number	Description	Quantity	Contains Item(s)	Remarks
	1123 851 8300	Sleeve	1		

Locking strip

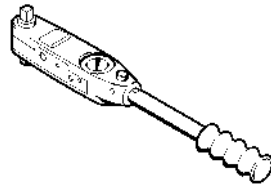


581 D-GET-0125-AD

Locking strip

#	Part Number	Description	Quantity	Contains Item(s)	Remarks
1	0000 893 5903	Locking strip	1		

Torque wrench with optical/acoustic signal

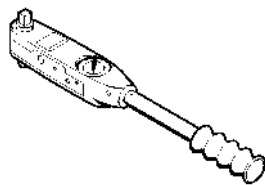


901SW290 KN

Torque wrench with optical/acoustic signal

#	Part Number	Description	Quantity	Contains Item(s)	Remarks
	5910 890 0312	Torque wrench with optical/acoustic signal	1		

Torque wrench

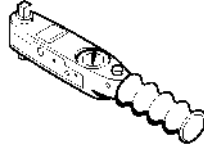


9015W251 KN

Torque wrench

#	Part Number	Description	Quantity	Contains Item(s)	Remarks
	5910 890 0311	Torque wrench	1		

Torque wrench with optical/acoustic signal

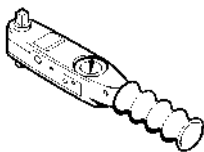


9015W262 KN

Torque wrench with optical/acoustic signal

#	Part Number	Description	Quantity	Contains Item(s)	Remarks
		Torque wrench	1		

Torque wrench

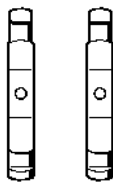


901SW286 KN

Torque wrench

#	Part Number	Description	Quantity	Contains Item(s)	Remarks
	5910 890 0301	Torque wrench	1		

Jaw (profile No. 3.1 and 4)

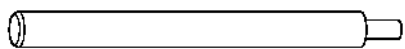


MS 268MS106

Jaw (profile No. 3.1 and 4)

#	Part Number	Description	Quantity	Contains Item(s)	Remarks
	0000 893 3706	Jaw (profile No. 3.1 and 4)	1		

Assembly drift

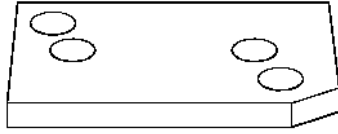


9015W365 CAM

Assembly drift

#	Part Number	Description	Quantity	Contains Item(s)	Remarks
	1130 893 4700	Assembly drift	1		

Flange

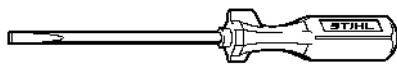


9015W366 CAM

Flange

#	Part Number	Description	Quantity	Contains Item(s)	Remarks
	1123 855 4200	Flange	1		

Screwdriver

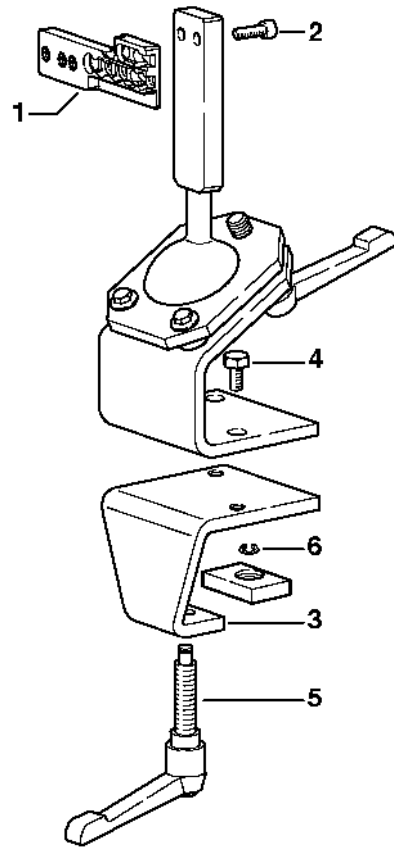


90131V358 C11

Screwdriver

#	Part Number	Description	Quantity	Contains Item(s)	Remarks
	0000 890 2300	Screwdriver	1		

Assembly stand

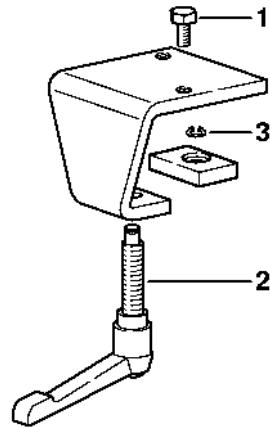


90151643 SC

Assembly stand

#	Part Number	Description	Quantity	Contains Item(s)	Remarks
	5910 890 3101	Assembly stand	1	1 - 6	
1	5910 850 1651	Support	1		
2	9045 319 2390	Socket head screw M10x25	2		
3	5910 850 2100	Clamping plate	1	4 - 6	
4	9008 319 2930	Hexagon head screw M12x20	2		
5	5910 890 1901	Clamp lever	1		
6	9455 621 0850	Circlip 10x1	1		

Clamping plate

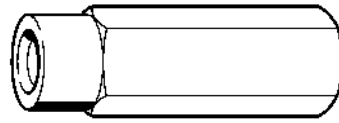


9015M364 SC

Clamping plate

#	Part Number	Description	Quantity	Contains Item(s)	Remarks
	5910 850 2100	Clamping plate	1	1 - 3	
1	9008 319 2930	Hexagon head screw M12x20	2		
2	5910 890 1901	Clamp lever	1		
3	9455 621 0850	Circlip 10x1	1		

Puller

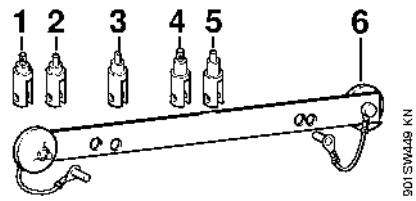


801516388 KN

Puller

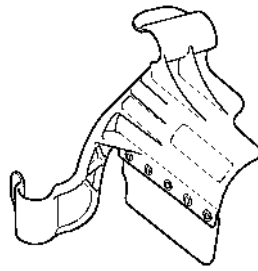
#	Part Number	Description	Quantity	Contains Item(s)	Remarks
	5910 893 0801	Puller	1		

Installing tool



Installing tool

#	Part Number	Description	Quantity	Contains Item(s)	Remarks
	1123 890 2202	Installing tool	1	1 - 6	
1	1123 893 1400	Puller	1		
2	1123 893 1500	Installer	1		
3	1123 893 1501	Installer	1		
4	1130 893 1400	Puller	1		
5	1130 893 1500	Installer	1		
6	1123 893 7500	Support	1		

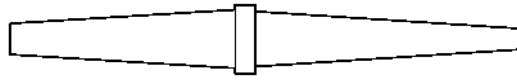


901SW484.GM

Cover

#	Part Number	Description	Quantity	Contains Item(s)	Remarks
	5910 890 3200	Cover	1		

Nipple

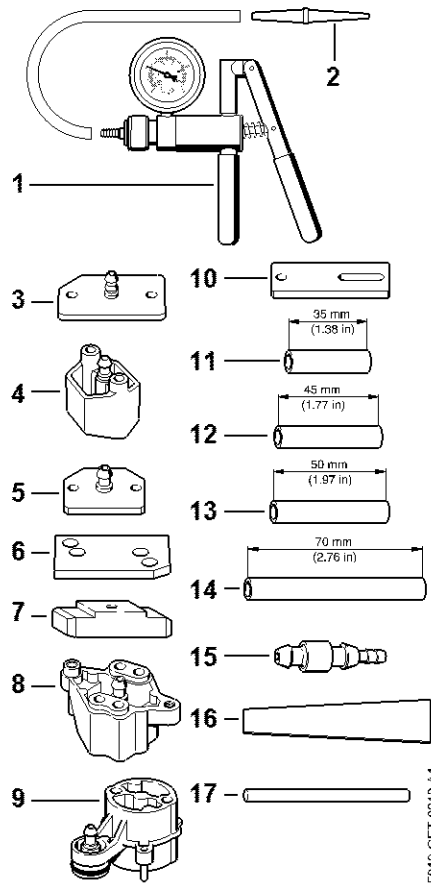


9013W496 GM

Nipple

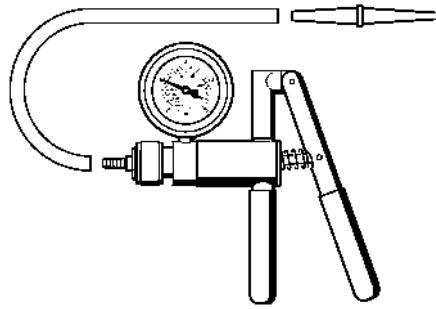
#	Part Number	Description	Quantity	Contains Item(s)	Remarks
	0000 855 9201	Nipple	1		

Testing tool kit



Testing tool kit

#	Part Number	Description	Quantity	Contains Item(s)	Remarks
	0000 890 1701	Testing tool kit	1	1 - 17	
1	0000 850 1300	Pump	1	2	
2	0000 855 9201	Nipple	1		
3	1106 850 4201	Flange	1		
4	1118 850 4200	Flange	1		
5	1119 850 4201	Test flange	1		
6	1123 855 4200	Flange	1		
7	1124 850 4205	Flange	1		
8	5910 850 4207	Flange	1		
9	4224 890 1200	Flange	1		
10	5910 855 4206	Flange	1		
11	5910 893 1702	Sleeve	2		
12	1123 851 8300	Sleeve	2		
13	1124 893 7100	Sleeve	2		
14	1127 851 8300	Sleeve	2		
15	0000 855 9200	Nipple	1		
16	0000 855 8106	Sealing plate	1		
17	1110 141 8600	Hose 135 mm / 5 5/16"	1		



901 SW498 GM

Pump

#	Part Number	Description	Quantity	Contains Item(s)	Remarks
	0000 850 1300	Pump	1		
	0000 855 9201	Nipple	1		
	0000 855 0100	Hose	1		

Stud puller, M8-7,5

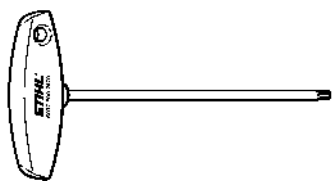


9015W502 GM

Stud puller, M8-7,5

#	Part Number	Description	Quantity	Contains Item(s)	Remarks
	5910 890 3000	Stud driver M8-7.5	1		

Screwdriver, T27x150

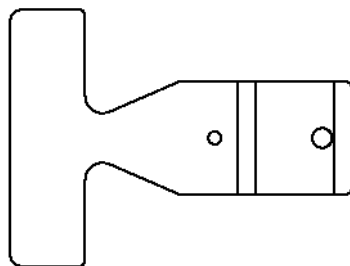


9015W575 KN

Screwdriver, T27x150

#	Part Number	Description	Quantity	Contains Item(s)	Remarks
	5910 890 2400	Screwdriver, T27x150	1		

Setting gauge

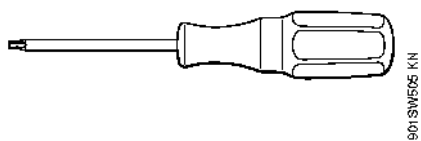


901SW605-SC

Setting gauge

#	Part Number	Description	Quantity	Contains Item(s)	Remarks
	0000 890 6401	Setting gauge	1		

Screwdriver, T8



Screwdriver, T8

#	Part Number	Description	Quantity	Contains Item(s)	Remarks
	5910 890 2310	Screwdriver, T8	1		